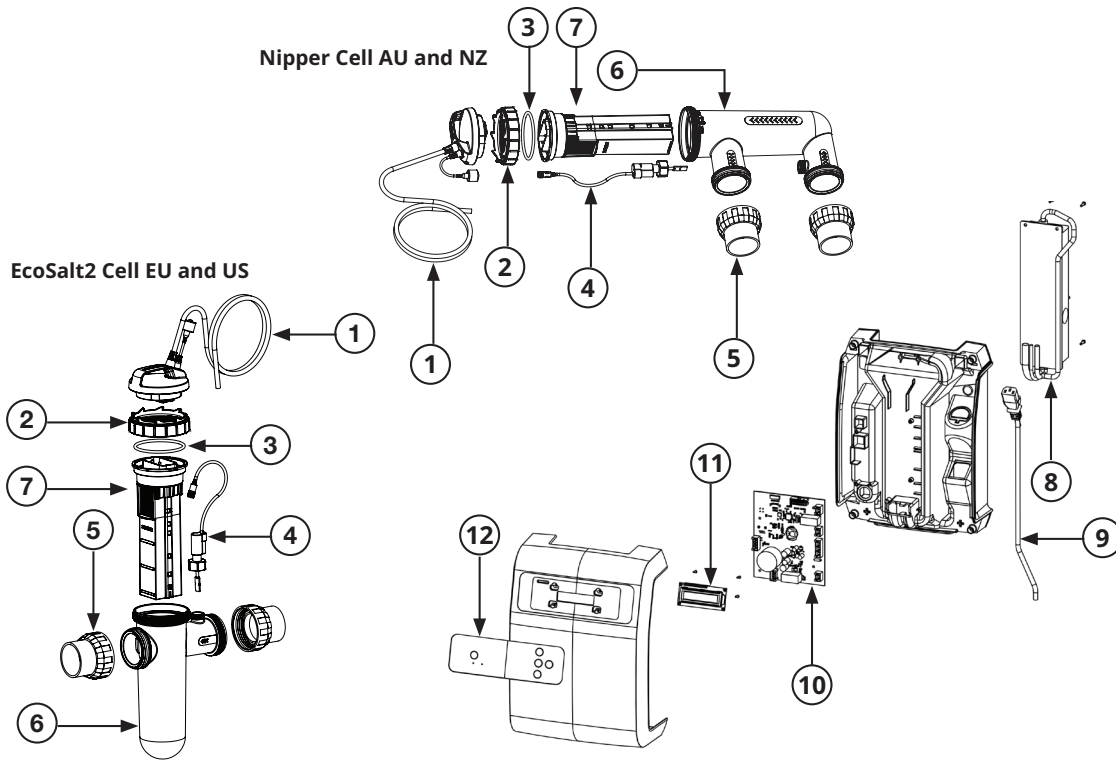


15g/h system	DES2-15E	DES2-15US	DNP15C
15g/hr low salt system	DES2-15EL	DES2-15USL	DNP15CLS
25g/h system	DES2-25E	DES2-25US	DNP25C
25g/h low salt system	DES2-25EL	DES2-25USL	DNP25CLS
35g/h system	DES2-35E	DES2-35US	DNP35C



ITEM	NOTES	DESCRIPTION	QTY REQ'D	PART NO.
1		Cell cable plug assy	1	33021SP
2		Cell lock ring	1	16058SP
3		Oring cell head	1	403377SP
4		Paddle switch	1	16102-3SP
5		Barrel union assy 40/50mm AU	2	48773BSP
5		Barrel union assy 50mm EU	2	48722B-1SP
5		Barrel union assy 50mm US	2	48722BSP
6		Nipper cell body AU	1	16116SP
6		Ecosalt 2 cell body EU US	1	16056SP
7		Replacement cell DNP15C	1	DES2C15REPAU
7		Replacement cell DNP25C, DNP15CLS	1	DES2C25REPAU
7		Replacement cell DNP35C, DNP25CLS	1	DES2C35REPAU
7		Replacement cell DES2-15E & US	1	DES2C15REP
7		Replacement cell DES2-15EL & USL, DES2-25E & US	1	DES2C25REP
7		Replacement cell DES2-25EL & USL, DES2-35E & US	1	DES2C35REP
8		Power supply 15g (L) with screws	1	33186SP
8		Power supply 25g (L) and 35g with screws	1	33187SP
9		Power lead US	1	16190SP
9		Power lead AU	1	403370SP
9		Power lead EU	1	403371SP
10		PCB assy DNP15C	1	33005C-15ASP
10		PCB assy DNP15CLS	1	33005C-15ALSP
10		PCB assy DNP25C	1	33005C-25ASP
10		PCB assy DNP25CLS	1	33005C-25ALSP
10		PCB assy DNP35C	1	33005C-35ASP
10		PCB assy DES2-15E, DES2-15US	1	33005C-15ESP
10		PCB assy DES2-15EL, DES2-15USL	1	33005C-15ELSP
10		PCB assy DES2-25E, DES2-25US	1	33005C-25ESP
10		PCB assy DES2-25EL, DES2-25USL	1	33005C-25ELSP
10		PCB assy DES2-35E, DES2-35US	1	33005C-35ESP
11		LCD screen PCB with screws	1	33188SP
12		Control panel decal	1	16047SP
-		Cell blanking cap w/oring	1	33189SP
-		Reducing bush - EU only	2	403393SP
-	AU	Nipper 15g Control Box REP	1	DNP15CCB
-	AU	Nipper 15g LS Control Box REP	1	DNP15CLSCB
-	AU	Nipper 25g Control Box REP	1	DNP25CCB
-	AU	Nipper 25g LS Control Box REP	1	DNP25CLSCB
-	AU	Nipper 35g Control Box REP	1	DNP35CCB
-	EU	Ecosalt2 15g Control Box REP	1	DES2-15ECB
-	EU	Ecosalt2 15g LS Control Box REP	1	DES2-15ELCB
-	EU	Ecosalt2 25g Control Box REP	1	DES2-25ECB
-	EU	Ecosalt2 25g LS Control Box REP	1	DES2-25ELCB
-	EU	Ecosalt2 35g Control Box REP	1	DES2-35ECB