

DAVEY

DAVEY
CrystalClear®ER
SERIES

NEW CARTRIDGE & MEDIA FILTERS



ECONOMIC HIGH PERFORMANCE CARTRIDGE FILTER

GUARANTEE
10 YEARS
TANK
1 YEAR
COMPONENTS

Ideal for in-ground and above ground pools. Suitable for salt, mineral salt and fresh water pools. Models suitable for pools up to 180,000 litres.



FEATURES & BENEFITS

- Provides crystal clear water with minimal maintenance
- Less water used, no backwashing needed. Ideal for applications where backwashing may not be practical or areas where water may be scarce
- Tank constructed from high impact polypropylene as a solid one-piece mould for a non-corrosive long life
- Low profile designed with easy access to the filter cartridge for removal, cleaning and installation
- A quality pressure gauge makes it easy to see when element cleaning is required
- A manual air bleed enables the filter to be de-pressurised before opening for cleaning
- Filter cartridges are fabricated from heavy duty, reusable polyester fabric with wide and deep pleats for better filter efficiency, easy cleaning and longer cartridge life
- Replacement filter elements available
- 50mm quick connect barrel unions supplied for simple installation
- Maximum flow rate 505 lpm
- Maximum working pressure 250 kPa
- Models available for 135 ft², 180 ft², 225 ft² & 270 ft² filtration area

PREMIUM FIBREGLASS MEDIA FILTER

GUARANTEE
10 YEARS
TANK

3 YEARS
MULTI-PORT
VALVE

1 YEAR
GAUGE,
LATERALS,
LABOUR

Ideal for in-ground and above ground pools. Suitable for salt, mineral salt and fresh water pools. Models suitable for pools up to 180,000 litres.

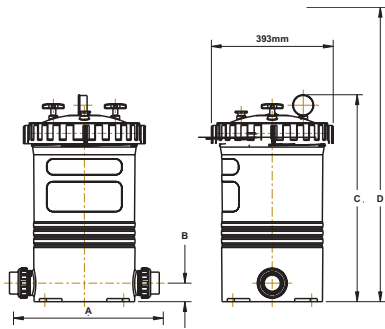


FEATURES & BENEFITS

- Seamless one piece fibreglass tank, manufactured with precision filament winding machine providing long and reliable working life
- Specially designed fish tail laterals saves water, energy and time
- Water saving 30% reduction in backwash time with improved hydraulic efficiency
- Energy saving hydraulic efficiency halves the backwash flow rate, allowing for low powered energy efficient pumping options
- Enhanced water clarity from lower flow rate
- Quality 6-way Multiport valve with durable lever action handle and quick connect unions
- Liquid filled pressure gauge makes it easy to see when backwashing is required
- Built-in waste port sight glass for high visibility of water during backwashing
- Suitable for sand, Zelbrite and glass media
- Maximum flow rate 509 lpm
- Up to 350 kPa operating pressure
- Models available in 24", 28", 32" & 36" tank diameter sizes



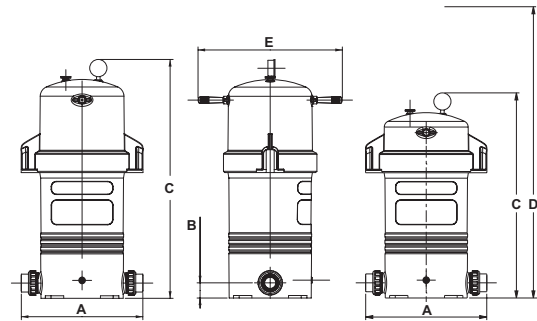
PRODUCT INFORMATION



DCC135, DCC180

PLEATED FILTER CARTRIDGE

Fabricated from pleated reusable polyester fabric. The media has been pleated to provide 12.5 to 16.7 square metres of surface area in order to maximise the cartridge dirt holding capacity and extend the time between cleaning.



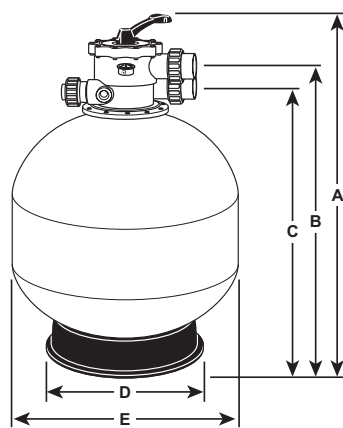
DCC225, DCC270

EXTRA LARGE FILTER CARTRIDGE

Fabricated from pleated reusable polyester fabric. The extra larger size cartridge has been pleated to provide 225ft² (20.9m²) to 270ft² (25.1m²) of surface area maximising its dirt holding capacity and minimising filter maintenance.

Model	TECHNICAL SPECIFICATIONS					DIMENSIONS (mm)				
	Inlet/Outlet Size (mm)	Filter Area (ft ²)	Filter Area (m ²)	Max Flow Rate [^] (lpm)	6 hour turnover (litres)	A	B	C	D*	E
DCC135	40/50	135	12.5	381	133,000	483	60	668	1000	N/A
DCC180		180	16.7	450	157,000					
DCC225		225	20.9	480	167,500	479	60	811.5	1600	570
DCC270		270	25.1	505	176,000			941.5		

[^] Based on the residential flow rate and 50mm pipe. * Minimum clearance height to remove cartridge.



DCM2440, DCM2450, DCM2850, DCM3250, DCM3650

ENERGY EFFICIENT & WATER SAVING LATERAL SYSTEM

Water Saving: Designed with a "Fish Tail" lateral system that provides superior coverage of the filter bed. Fish Tail laterals improve filtration and backwashing efficiency, significantly reducing backwash time and providing water saving of up to 30%

Energy Saving: The hydraulic efficiency of the "Fish Tail" laterals halves the backwash flow rate, allowing for low powered energy efficient pumping options

Clearer Water: a decreased flow rate offers the dual advantage of boosting filtration effectiveness and significantly improving pool water clarity

Maximum Operating Pressure:
 350kPA - DCM2440 & DCM2450
 250kPA - DCM2850, DCM3250 & DCM3650

Model	TECHNICAL SPECIFICATIONS					DIMENSIONS (mm)				
	Inlet/Outlet Size (mm)	Tank Diameter (inches)	Filter Area (m ²)	Max Flow Rate [^] (lpm)	6 hour turnover (litres)	A	B	C	D	E
DCM2440	40	24	0.28	226	81,360	1022	879	788	484	624
DCM2450						1050	902	804	484	624
DCM2850	50	28	0.38	308	110,880	1072	892	792	620	723
DCM3250		32	0.5	402	144,720	1157	977	877	620	810
DCM3650		36	0.64	509	183,240	1234	1054	954	620	910

[^] Based on the Residential flow rate, velocity of 48m³/hr/m².