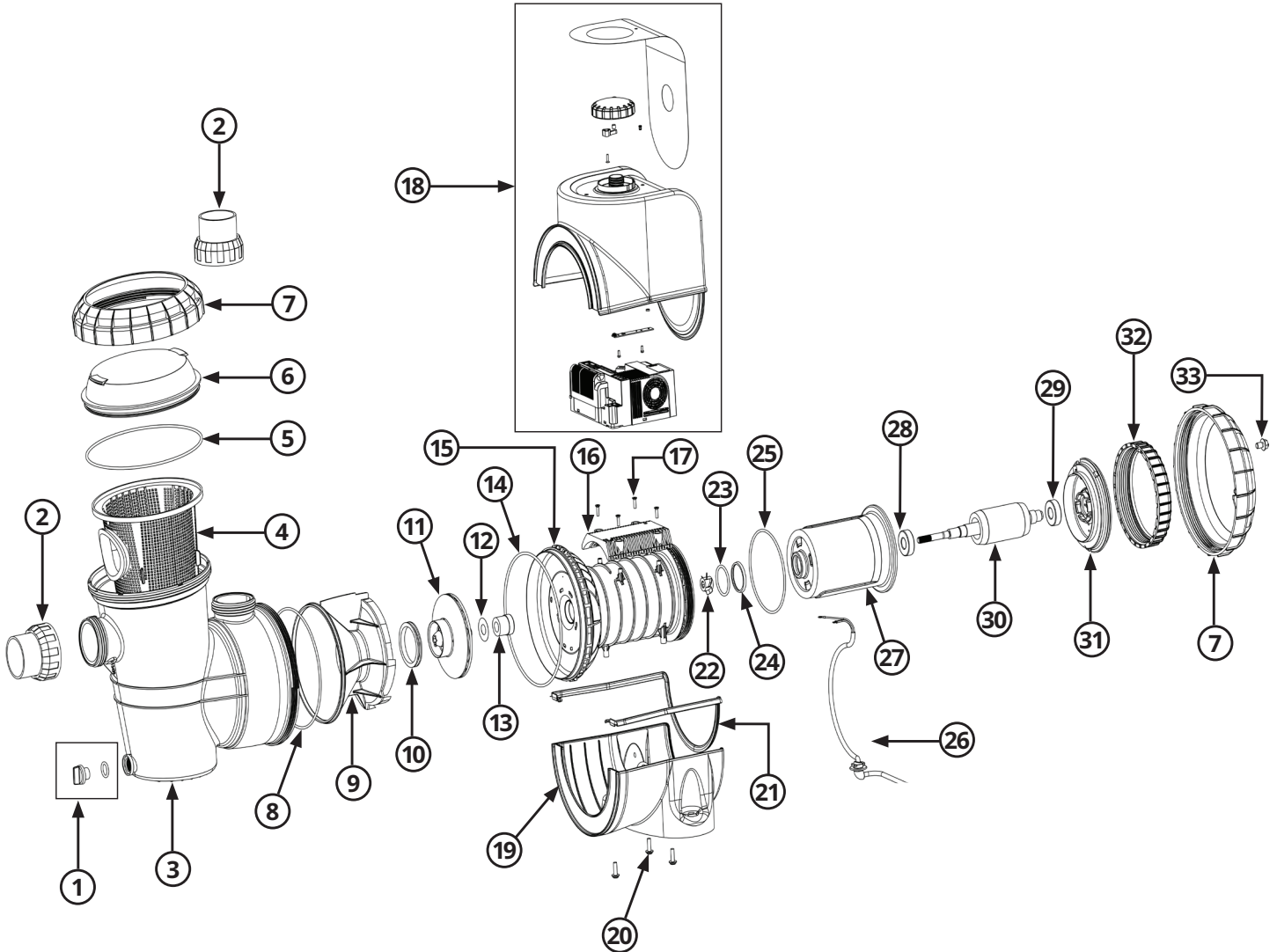


VSD200 Energy Efficient Pool Pump	SP200SV(P)	PM200SV
VSD200 Energy Efficient Pool Pump c/w Bluetooth	SP200BT(P)	PM200BT
Premium VSD400 Energy Efficient Pool Pump	SP400PV	PM400PV
Premium VSD400 Energy Efficient Pool Pump c/w Bluetooth	SP400BT	PM400BT

Notes: A. Includes motor shell/water jacket (13443-20) and impeller assembly (32858)  
 B. Includes motor shell/water jacket (13443-20) and impeller assembly (32364)  
 C. Includes: 7, 14-32



ITEM	PART NO.	DESCRIPTION	PART SPECIFICATIONS	NOTE	QTY REQ'D
1	8890-2SP	Plug & O-ring - Priming			1
2	48775-1	Barrel Union Assy (includes nut, tail & o-ring)	SP200BT		2
2	48722B	Barrel Union Assy (includes nut, tail & o-ring)	SP200BTP		2
2	48773B	Barrel union assy (includes nut, 40 & 50mm tail, & o-ring)	PM200SV/BT		2
2	48722B	Barrel Union Assy (includes nut, 50mm tail, & o-ring)	PM400PV/BT		2
2	48722B-1	Barrel Union Assy (includes nut, tail & o-ring)	SP400PV/BT		2
3	13563SP	Casing Front			1
4	13562SP	Strainer basket			1
5	403187	X-ring			1
6	13563SP	Lid & X-ring			1
7	13441-2	Case Nut - Large			1
8	43784	O-ring - Casing			1
9	13438	Diffuser			1
10	13569	Floating neckring			1
11	32858	Impeller assy	PM200SV/BT, SP200SV(P)/BT(P)		1
11	32364	Impeller assy	PM400PV/BT, SP400PV/BT		1
12	13846*10	Washer - Myler pk 10			1
13	49771SP	Seal - Mechanical 5/8"			1
14	44858	O-ring			1
15	33088	Motor jacket/water shell & impeller assy	PM200SV/BT, SP200SV(P)/BT(P)	A	1
15	33089	Motor jacket/water shell & impeller assy	PM400PV/BT, SP400PV/BT	B	1
16	15066	Heatsink			1
17	402431	Screws - Heatsink			4
18	32874	Top Casing Assy incl VSD	SP200SV(P)		1

<b>VSD200 Energy Efficient Pool Pump</b>	<b>SP200SV(P)</b>	<b>PM200SV</b>
<b>VSD200 Energy Efficient Pool Pump c/w Bluetooth</b>	<b>SP200BT(P)</b>	<b>PM200BT</b>
<b>Premium VSD400 Energy Efficient Pool Pump</b>	<b>SP400PV</b>	<b>PM400PV</b>
<b>Premium VSD400 Energy Efficient Pool Pump c/w Bluetooth</b>	<b>SP400BT</b>	<b>PM400BT</b>

Notes: **A.** Includes motor shell/water jacket (13443-20) and impeller assembly (32858)  
**B.** Includes motor shell/water jacket (13443-20) and impeller assembly (32364)  
**C.** Includes: 7, 14-32

ITEM	PART NO.	DESCRIPTION	PART SPECIFICATIONS	NOTE	QTY REQ'D
18	32983	Top Casing Assy incl VSD	SP200BT(P)		1
18	32926	Top Casing Assy incl VSD	SP400PV		1
18	32978	Top Casing Assy incl VSD	SP400BT		1
18	32865	Top Casing Assy incl VSD	PM200SV		1
18	32993	Top Casing Assy incl VSD	PM200BT		1
18	32924	Top Casing Assy incl VSD	PM400PV		1
18	32995	Top Casing Assy incl VSD	PM400BT		1
19	15071	Bottom Casing	PM200SV, PM400PV	NLA	1
19	15071-1	Bottom Casing	SP200SV(P), SP400PV		1
19	15071-2	Bottom Casing	PM200BT, PM400BT, SP200BT(P), SP400BT		1
20	402435	Screw - Bottom Casing			3
21	15178	Gasket - Bottom Casing			1
22	13564	Fan			1
23	40001	O-ring - Front seal ring			1
24	12848	Front seal ring			1
25	43069	O-ring			1
26	15073	Power Lead	PM200SV/BT		1
26	15073-1	Power Lead	PM400PV/BT		1
26	15073-3	Power Lead	SP200SV/BT, SP400PV/BT		1
27	32888	Stator & Shell assy	PM200SV/BT, SP200SV(P)/BT(P)		1
27	32948	Stator & Shell assy	PM400PV/BT, SP400PV/BT		1
28	48997	Bearing - 6203-2RS1/C3Wt			1
29	403078	Bearing 6203 DDU2	(Anti Creep)		1
30	32278S-10	Rotor Assy	PM200SV/BT, SP200SV(P)/BT(P)		1
30	32922	Rotor Assy	PM400PV/BT, SP400PV/BT		1
31	13437-40M	Endshield			1
32	12845-10	Case Nut - Small			1
33	32356	Rear cover screw kit			1
-	SP75VSM	Service Motor	PM200SV, SP200SV(P)	C	1
-	SP87VSM	Service Motor	PM400PV, SP400PV	C	1
-	SP75VSM-1	Service Motor	PM200BT, SP200BT(P)	C	1
-	SP87VSM-1	Service Motor	PM400BT, SP400BT	C	1