

7 LANGUAGES

English, Deutsch, Italiano,
Nederlands, Português,
Español & Français

DAVEY

SILENSOR[®]PRO by **DAVEY**

SilensorPRO SP200BT & SP400BT Swimming Pool Pump

Installation and Operating Instructions

50/60Hz



SP200BT

SP400BT

- UK - Installation and Operating Instructions 1-20
- DE - Installations- und Betriebs-anleitung 21-40
- IT - Istruzioni di montaggio e di utilizzo 41-60
- NL - Installatie- en gebruiksinstructies 61-80
- PT - Instruções de Instalação e Funcionamento 81-100
- ES- Instalación e instrucciones de funcionamiento 101-120
- FR - Instructions d'installation et d'utilisation 121-140



Please refer to the Davey website in your region as per back page of this document for any product information updates.

Please pass these instructions on to the operator of this equipment.

Congratulations on your purchase of a high quality, SilensorPRO SP200BT, or SP400BT pump. All components have been designed and manufactured to give trouble free, reliable operation.

Table of Contents:

1. INSTALLATION OF THE DAVEY VARIABLE SPEED PUMP	4
Power connection	4
Pipe connection	5
2. TYPICAL INSTALLATION DIAGRAM	6
3. PERFORMANCE SPECIFICATIONS	6
3.1 SP200BT Hydraulic Performance	6
3.2 SP200BT Electrical Specifications	7
3.3 SP400BT Hydraulic Performance	7
3.4 SP400BT Electrical Specifications	7
4. OWNERS MANUAL	8
Saving energy with your SilensorPRO	8
Pre-start up checklist	8
Low energy operation	9
Guidelines for recommended pump operating hours	9
Emptying the strainer basket	10
Routine maintenance	10
5. FEATURES & FUNCTIONALITY	11
Multi-Coloured LED indicator light	11
Backwash Speed Cycling Technology	11
Full variable frequency drive with user friendly selectable speed dial	11
Large 4.5 litre lint pot	11
Patented water-cooled design for smooth and super quiet operation	11
SP400BT constant flow/speed compensation	11
SP400BT weatherproof RJ45 Communication Port (see section 7 for connection details)	11
6. BLUETOOTH FUNCTIONALITY	12
Bluetooth App Set Up	12
Pairing a device to the pump	12
External Timer / Chlorinator	12
Schedule mode	12
Setting a schedule	13
Settings	13
Priming speed / Max speed	13
Backwash	14
External time present	14
Disconnect function	14
Factory reset	14
Pump fault finding	14
7. ADVANCED SETUP OF SP400BT	15
External AUX connections overview	15
Digital control inputs	16
Interfacing equipment to the SilensorPRO SP400BT	16
Analogue control inputs	17
8. TECHNICAL SPECIFICATIONS	17
9. USING YOUR SILENSORPRO WITH A SALT WATER CHLORINATOR	18
10. OPERATING YOUR SUCTION POOL CLEANER	18
11. TROUBLE SHOOTING	19
12. REMOVAL OF THE SILENSORPRO FROM PIPEWORK	19
13. WATER QUALITY	19
14. SPARE PARTS EXPLODED VIEW AND LISTING	21
15. DAVEY WARRANTY	24

1. INSTALLATION OF THE DAVEY VARIABLE SPEED PUMP

The SilensorPRO should be located as close to the water as practicable and mounted on a firm base in a well drained position, high enough to prevent any flooding. It is the installer/owner's responsibility to locate the pump such that the nameplate can be easily read and the SilensorPRO can be readily accessed for service. It is recommended that the SilensorPRO is protected from the weather. Enclosures should be ventilated to prevent condensation build-up.



Failure to follow these instructions and comply with all applicable codes may cause serious bodily injury and/or property damage.

This pump requires professional expertise for installation and maintenance. The installation of this product should be carried out by a person knowledgeable in swimming pool plumbing requirements and who follows the installation instructions provided in this manual.

Power connection



IMPORTANT INFORMATION Your SilensorPRO is double insulated to water circuit. If equipotential bonding structure is required, then an Equipotential Bonding Point is provided. (Please refer to your local statutes and/or regulations for AS/NZ 3000 equivalent wiring standards).

CAUTION! In the interest of safety, we advise that all brands and types of pool pumps must be installed in accordance with AS/NZS 3000, known as the national wiring rules, or equivalent local standards. All electrical installations must be carried out by a qualified electrician. Davey recommends that all installations are fitted with earth leakage, or residual current protection devices. Rated residual operating current not exceeding 30mA.

WARNING! Ensure that an electrical isolation switch is located with easy access so that the pump can be switched off in an emergency.

The power supply must be equipped with an overcurrent protector before connecting to the appliance.

Always disconnect the appliance from the supply before assembling, disassembling or cleaning.

F	NFC C 15-100	GB	BS7671:1992
D	DIN VDE 0100-702	EW	EVHS-HD 384-7-702
A	OVE 8001-4-702	H	MSZ 2364-702:1994/MSZ 10-533 1/1990
E	UNE 20460-7-702 1993, REBT ITC-BT-31 2002	M	MSA HD 384-7-702.S2
IRL	IS HD 384-7-702	PL	PN-IEC 60364-7-702: 1999
I	CEI 64-8/7	CZ	CSN 33 2000 7-702
LUX	384-7.702 S2	SK	STN 33 2000-7-702
NL	NEN 1010-7.702	SLO	SIST HD 384-7-702.S2

The SilensorPRO is suitable for connection to a nominal 220 – 240 volt 50/60Hz power supply and is equipped with a flex cord. If a power outlet is not available within 3 metres of the pump, a 3-pin power point in a safe, dry place may need to be provided by an electrician. Extension cords are unsafe around pools and should be avoided. If the supply cord of the SilensorPRO is damaged it must be replaced by Davey, or an approved agent with genuine Davey spares.

The SilensorPRO incorporates motor overload detection designed to protect the motor from overheating. If the motor gets too hot during operation, its operating speed will reduce to bring it within an acceptable operating temperature and then will speed up to the originally set speed.

To reset the motor, switch the power off for 30 seconds, and then return the power from the mains switch.

Pipe connection

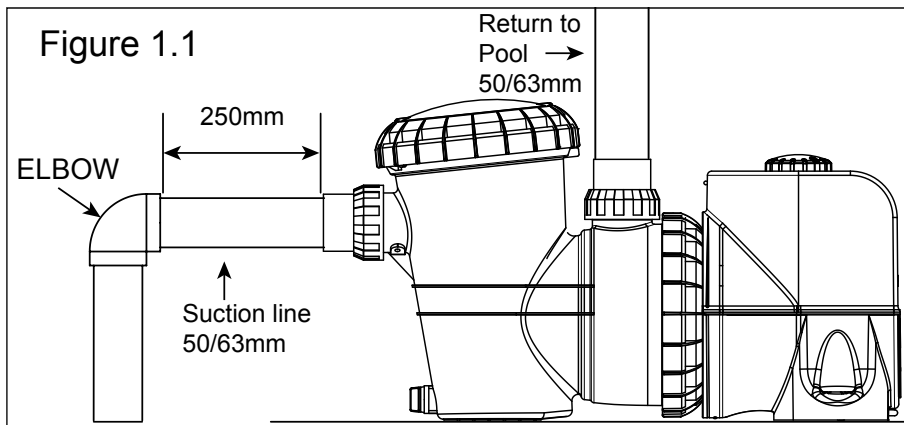
Barrel unions are provided for connecting to the piping from the pool. The pumps are designed to accept 50/63mm PVC fittings.



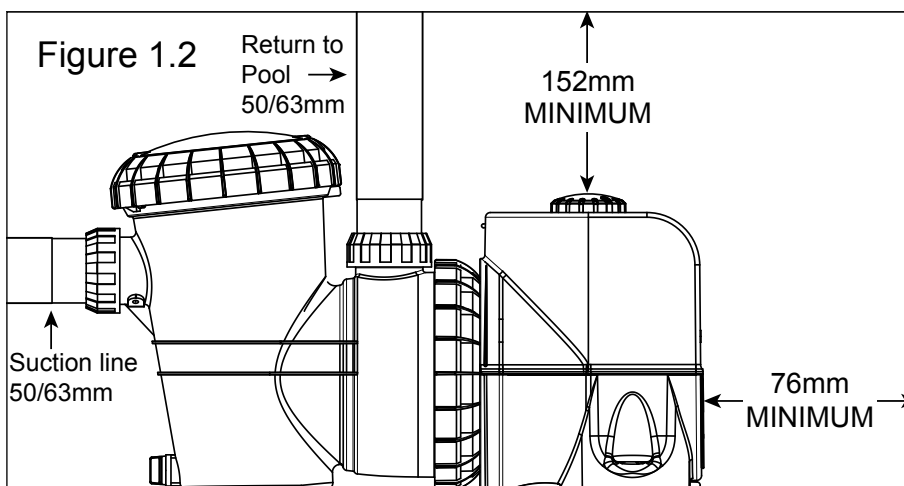
IMPORTANT INFORMATION If the SilensorPRO and filter are located below pool water level, it is necessary to fit isolating valves in the pipe between the pump and skimmer box and in return pipe from the filter to the pool. When plumbing the discharge pipe, ensure that the pipework does not interfere with the pumps speed dial. Barrel unions need to be hand tightened. No sealant, glues or silicones are required.

The fittings on the SilensorPRO are constructed of ABS. Some PVC jointing compounds are incompatible with ABS. Check compound suitability before use.

The use of any pipe smaller than those specified above is not recommended. Suction piping should be free from all air leaks and any humps and hollows which cause suction difficulties. To achieve best efficiency, the SilensorPRO should be installed such that turbulent water is limited as much as possible. As shown in figure 1.1, do not install a 90° elbow closer than 250mm from the inlet barrel union. Isolation valves used where equipment is located below pool water level, should also be installed no closer than 250mm from inlet barrel union. This will assist laminar flow.



The discharge piping from the SilensorPRO outlet should be connected to the inlet connection on the swimming pool filter (usually at the filter control valve). As shown in figure 1.2, ensure adequate clearance above the pump to not interfere with the SilensorPRO speed dial. Use a check valve in the discharge line when using this pump for any application where there is significant height to the plumbing after the pump.

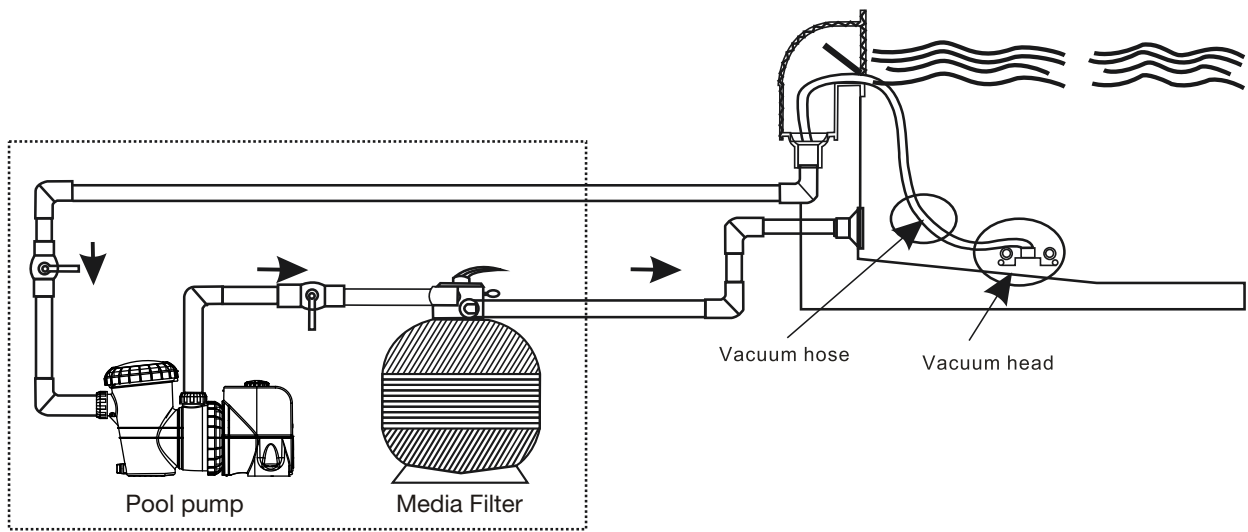


Be sure to install check valves when plumbing with another pump. This helps prevent reverse rotation of the impeller and motor.



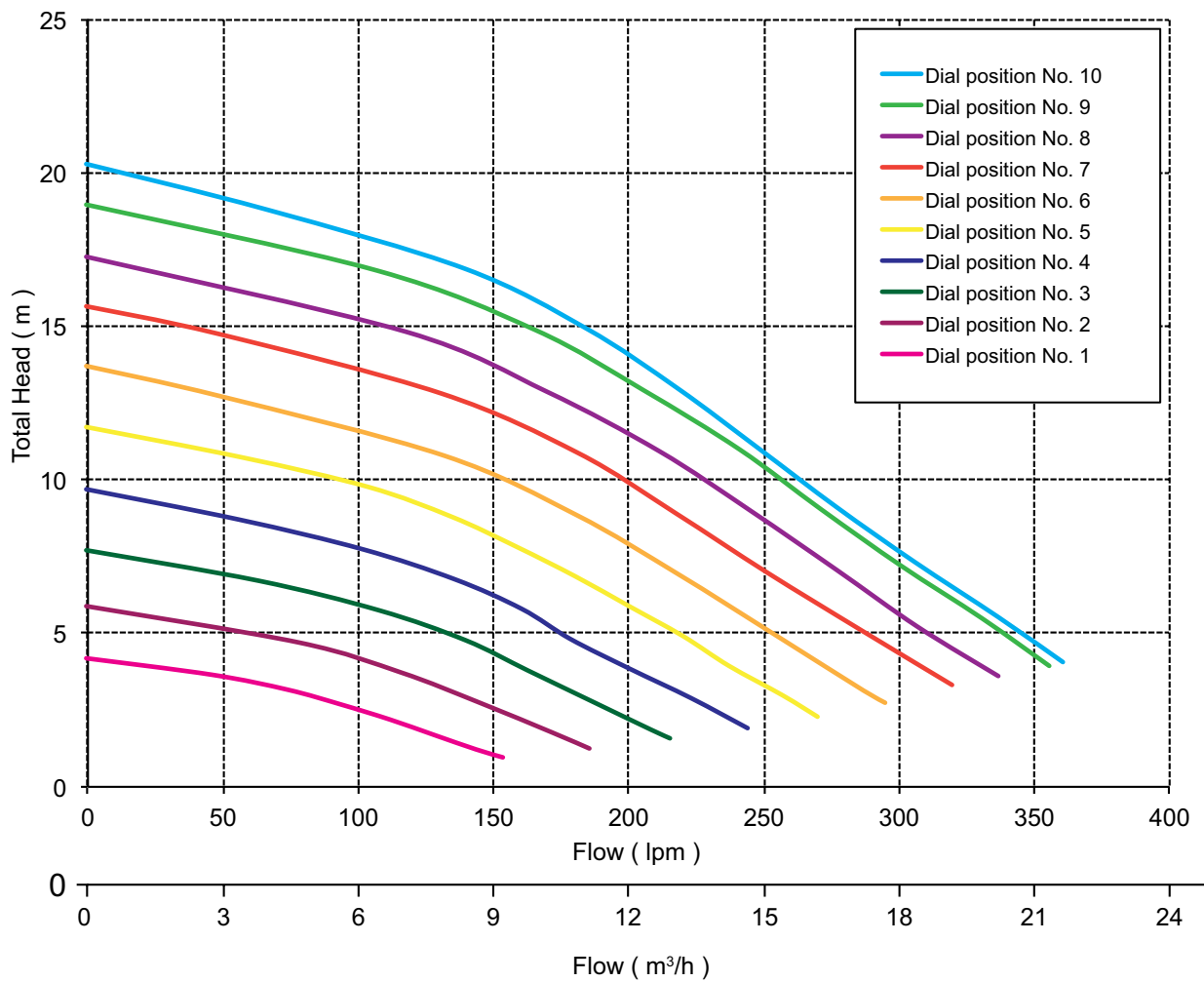
WARNING! Pump suction is hazardous and can trap and drown, or disembowel bathers. Do not block suction. Do not operate swimming pools, spas, or spa baths if a suction cover is broken, missing or loose. Two suction covers, or inlets must be provided into every pump to avoid suction entrapment.

2. TYPICAL INSTALLATION DIAGRAM



3. PERFORMANCE SPECIFICATIONS

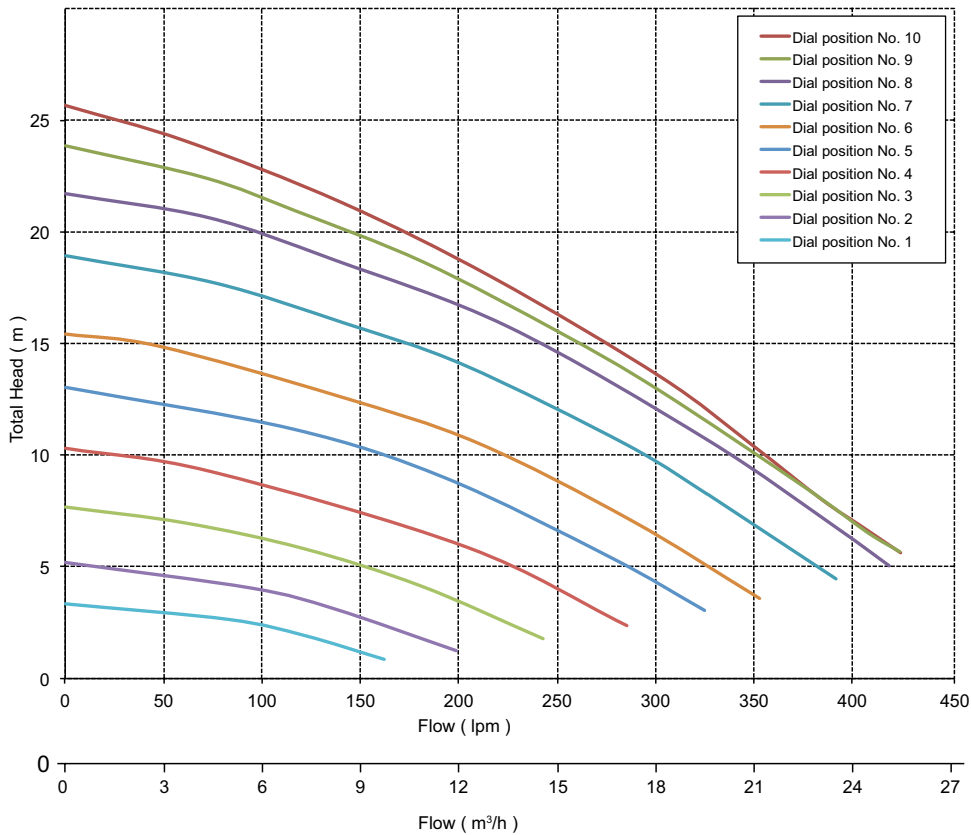
SP200BT hydraulic performance



SP200BT electrical specifications

Flow Setting	Best efficiency point							Maximum						
	Flow		Head m	Input power (P ₁)		Output power (P ₂)		Flow		Head m	Input power (P ₁)		Output power (P ₂)	
	L/min	m ³ /h		hp	W	hp	W	L/min	m ³ /h		hp	W	hp	W
Dial 1	85	5.1	3	0.16	123	0.11	86	155	9.3	4	0.17	128	0.12	90
Dial 2	100	6.0	4	0.26	193	0.18	135	187	11.2	6	0.28	207	0.19	145
Dial 3	125	7.5	5	0.38	283	0.26	198	217	13.0	7	0.39	293	0.27	205
Dial 4	143	8.6	6	0.51	383	0.36	268	246	14.8	10	0.53	398	0.37	279
Dial 5	155	9.3	8	0.66	495	0.46	347	272	16.3	12	0.70	524	0.49	367
Dial 6	160	9.6	10	0.82	612	0.57	428	297	17.8	14	0.87	655	0.61	459
Dial 7	183	11.0	11	1.02	766	0.71	536	322	19.3	16	1.08	807	0.75	565
Dial 8	195	11.7	12	1.17	880	0.82	616	339	20.3	17	1.25	936	0.87	655
Dial 9	207	12.4	13	1.36	1,017	0.95	712	358	21.5	19	1.44	1,078	1.01	755
Dial 10	210	12.6	14	1.45	1,090	1.02	763	363	21.8	20	1.48	1,111	1.04	778

SP400BT hydraulic performance



SP400BT electrical specifications

Flow Setting	Best efficiency point							Maximum						
	Flow		Head m	Input power (P ₁)		Output power (P ₂)		Flow		Head m	Input power (P ₁)		Output power (P ₂)	
	L/min	m ³ /h		hp	W	hp	W	L/min	m ³ /h		hp	W	hp	W
Dial 1	98	5.9	2	0.16	117	0.11	82	160	9.6	3	0.17	126	0.12	88
Dial 2	112	6.7	4	0.26	192	0.18	134	197	11.8	5	0.28	210	0.20	147
Dial 3	140	8.4	5	0.42	316	0.29	221	240	14.4	8	0.46	347	0.32	243
Dial 4	165	9.9	7	0.62	468	0.44	328	282	16.9	10	0.70	522	0.49	366
Dial 5	190	11.4	9	0.88	660	0.62	462	322	19.3	13	0.97	728	0.68	509
Dial 6	200	12.0	11	1.09	817	0.76	572	349	21.0	15	1.22	912	0.85	638
Dial 7	225	13.5	13	1.44	1,080	1.01	756	388	23.3	19	1.61	1,211	1.13	848
Dial 8	240	14.4	15	1.77	1,330	1.24	931	414	24.9	22	1.97	1,478	1.38	1,034
Dial 9	250	15.0	16	1.99	1,495	1.40	1,047	420	25.2	24	2.18	1,636	1.53	1,145
Dial 10	260	15.6	16	2.16	1,620	1.51	1,134	420	25.2	26	2.19	1,639	1.53	1,147

4. OWNERS MANUAL

This SilensorPRO is Bluetooth enabled, so you will be able to set and control the pump functions from your smart device. Bluetooth is a wireless communication protocol that enables communication between devices. This function is supported by any device that can download an app from IOS or Android App Store.

Read these instructions in their entirety before switching on this pump. If you are uncertain as to any of these installation and operating instructions, please contact Davey as listed on the back of this document.

Every SilensorPRO is thoroughly water tested against a number of flow, pressure, voltage, current and mechanical performance parameters. Davey's advanced pump manufacturing technology provides reliable and efficient pumping performance that lasts and lasts.

Saving energy with your SilensorPRO

The Davey variable speed pump is a super-efficient pump utilising a very clever, state of the art infinitely variable AC motor that provides lower levels of noise, lower operating costs and lower greenhouse emissions than traditional pool pumps.

Due to its ability to run at lower speeds than conventional pumps, your pump will also experience less mechanical wear and tear due to less stress on the internal mechanical components. To achieve energy efficient pumping is easy. Simply run the filtration pump at a lower speed but run it for longer than a conventional fixed speed pump to "turn over" your pool water for adequate filtration and sanitisation. The result is lower energy use and up to 70% lower operational costs.

The SilensorPRO has adjustable speed settings, so you can vary the speed you circulate your pool or spa water at. Speeds can be adjusted to power a suction pool cleaner, in-floor cleaning system & pool heaters. A backwash setting on the pump can be selected to backwash a media filter.

What to expect with the SilensorPRO (energy efficient operation) on your pool:

- If your SilensorPRO pump is replacing a traditional AC motor pump, you may will need to run it longer than your old fixed speed pump. This is NORMAL and you will save energy when using lower speed settings.
- You may also notice that the pressure gauge on your filter is indicating a much lower pressure than you are used to. This is also NORMAL. The lower system pressure is simply a result of the lower speed and flow rate produced by the pump.
- While running at the lower speed settings you will also notice a significant reduction in pump noise. This is a major benefit for you as it allows you to run your SilensorPRO during off peak electricity tariffs, which will also assist in the reduction of your operating costs. Plus, you will also have much happier neighbours.

Many pool products rely on minimum flow rates for best operation and/or efficiency. If you are using low flow settings on the SilensorPRO (e.g. speed 1 to 4) Davey recommends that you check the compatibility of the speed or minimum flow rate required to run specific pool equipment such as:

- Suction pool cleaners;
- Ozone generators;
- Heating systems;
- Salt water chlorinator cells;
- In-floor pool cleaning systems.

Pre-start up checklist

- Speed setting chosen is a compatible setting with other pool equipment;
- The pump is installed in a safe and dry environment;
- The pump enclosure has adequate drainage in the event of leakage;
- Any transport plugs are removed;
- The pipe-work is correctly sealed and supported;
- The pump is primed correctly;
- The power supply is correctly connected;
- All steps have been taken for safe operation;
- The filter has been plumbed with 50/63mm pipe;
- The (app) schedule settings correspond with any other times in the system.

Low energy operation

Your SilensorPRO SP200BT has speed settings from 1,500 - 3,600rpm. The SilensorPRO SP400BT has speed settings from 1,050 - 3,100rpm. Speed 1 being the slowest and speed 10 being the fastest.

- Speed 1 provides the lowest speed and therefore the greatest energy efficiency and savings.

Operation	Recommended Speed Setting
Backwashing your media filter	Backwash Speed
Pool Filtration	Speed 1 to 4
Suction pool cleaner operation	Speed 5 to 8
Manually cleaning your pool	Speed 9 to 10
Water Feature operation	
Spa Jet operation	
In-floor cleaning systems	
Solar pool heating	

Guidelines for recommended pump operating hours

Typical residential pool turnover rate shall be a single turnover of the full volume of the pool water, within the daily period that the pump would normally be operating. The table below provides a guide only to the running times of your pump while in filtration mode in order to achieve the minimum turnover rate:

SilensorPRO SP200BT

Pool size (Litres)	Speed Setting (hours)		
	Speed 1	Speed 5	Speed 10
20,000	3.3	1.7	1.1
30,000	5.0	2.5	1.7
40,000	6.7	3.3	2.2
50,000	8.3	4.2	2.8
60,000	10.0	5.0	3.3
80,000	13.3	6.7	4.4
100,000	16.7	8.3	5.6

SilensorPRO SP400BT

Pool size (Litres)	Speed Setting (hours)		
	Speed 1	Speed 5	Speed 10
20,000	2.4	1.3	0.9
30,000	3.7	2.0	1.4
40,000	4.9	2.7	1.9
50,000	6.1	3.3	2.3
60,000	7.4	4.0	2.8
80,000	9.8	5.3	3.8
100,000	12.3	6.7	4.7



In accordance with EN60335.1 we are obliged to inform you that this appliance can be used by children aged from 8 years and above and persons with reduced physical sensory, or mental capabilities, or lack of experience and knowledge, if they have been given supervision, or instruction concerning use of the appliance in a safe way and understand the hazards involved. Children should be supervised to ensure they do not play with the appliance.

Emptying the strainer basket

The strainer basket should be inspected frequently through the transparent lid and emptied when a build-up of rubbish is evident. The directions below should be followed.

- Switch off pump and remove plug from power supply;
- Unscrew the strainer basket lid anti-clockwise and remove;
- Remove the strainer basket by lifting upwards from its housing;
- Empty the trapped refuse from the basket. Hose out with water if necessary.



NOTE: NEVER knock the plastic basket on a hard surface as it will cause damage.

- Check the strainer basket for cracks, replace the strainer basket in the pump if damaged;
- Replace the lid and ensure that it seals on the large rubber o-ring. Firm hand tightness only is required. The o-ring & thread can be lubricated with Hydra Slip or equivalent products.



Failure to undertake regular maintenance may cause damage not covered by warranty.

Routine maintenance

To maximise the life of the SilensorPRO, and for personal safety use this checklist once a week. Ensure pump is off before starting and removed from power supply:

- Make sure that any pressure gauges are in working condition and the operating pressure is within limits as specified on the product;
- Make sure that each suction inlet and main drain has a cover that is securely attached and in safe working condition;
- Make sure that all skimmer covers are securely attached and in safe working condition. These should be replaced every 3 to 4 years;
- Remove any obstructions or debris from the main drain cover;
- Ensure the skimmer and pump baskets are free of leaves and debris at least once a week;
- Remove obstructions and combustibles from around the pump motor;
- Make sure all wiring connections are clean and that all wiring and electrical equipment is in good condition. Damaged wiring must be repaired or replaced by a qualified electrician as soon as damage is discovered;
- Check water balance and sanitizer levels at your local pool shop.

5. FEATURES & FUNCTIONALITY

The SilensorPRO has several operational features. The following explain each of these.

Multi-coloured LED indicator light

Used for identifying required settings for programming time for full speed (Boost) cycling and warnings:

- Solid green = Normal dial operation
- Slow flashing green = In backwash mode
- Fast Flashing green = AUX external control
- Solid White = Time to Backwash
- Fast Flashing White = Fault detected - reset pump
- Slow Flashing blue = Operated by Bluetooth
- Solid blue = Bluetooth mode

Backwash speed cycling technology

When in backwash mode the SilensorPRO will cycle between a low and high speed to help agitate the filter media for a more effective clean. This reduces wasted water and chemicals during the backwash cycling process.

Full variable frequency drive with user friendly selectable speed dial

- Provides for easy selection of desired filtration speed
- No complicated digital push button controls

Large 4.5 litre lint pot

- Provides for longer intervals between cleaning

Patented water-cooled design for smooth and super quiet operation

The SilensorPRO has a water-cooled membrane and jacket around the motor which helps to keep the pump cool during operation. Waste heat off the motor is transferred into the pool water, helping to reduce pool heating energy costs.

SP400BT constant flow/speed compensation

As the pool filter becomes dirty, pressure builds up. With a typical pool pump, this would naturally slow the flow coming through the system. The SilensorPRO has the intelligence to automatically detect the resistance applied by a filter and slowly compensate the reduction flow, by increasing the speed of the motor. The result is the flow remains constant between filter cleans.

When the SilensorPRO detects that the speed increase indicates time to backwash your filter, the LED indicator will show a solid white display (see item above).

SP400BT weatherproof RJ45 communication port

(see section 7 for connection details)

- For communication and connecting to external pool control systems
- For receiving a signal from a heat pump, or gas heater to ramp the SilensorPRO speed to full during the heating process
- Service diagnostics and software updates (For Davey use only)

6. BLUETOOTH FUNCTIONALITY

Bluetooth app set up

- Open the “App Store” app that is available on your device.
- Search “Davey Pool Pump”
- Install the app on your device



The app can be installed on to as many devices as desired, however, only one device can control the pump at any given time. The language and time of the app is the same as your device setting. The measuring units are automatically defaulted to your device’s region units, however, you can choose between Litres, Gallons or m³/hr.

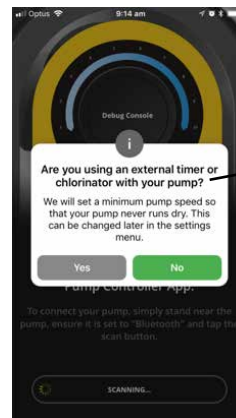
Pairing a device to the pump

- Open app on your smart device.
- Turn dial on the pump from “off” to “Bluetooth”, you will see the LED flash white for a second.
- On your device, press the connect button.
- When setting up for the first time ONLY, select “YES” to allowing location.
- Please note that the first time the devices are paired, there is a 2-minute time limit to do so before the procedure will have to be repeated.

External timer / chlorinator

A pop-up will appear asking if you are using an external timer, or chlorinator to control the SilensorPRO. Please select “yes”, “no”. This is a safety function that helps ensure the chlorinator only runs when the pump is working.

Note: App screenshots are for demonstration purposes only. Actual screens may vary.



This pop-up will show

Manual, or scheduled mode

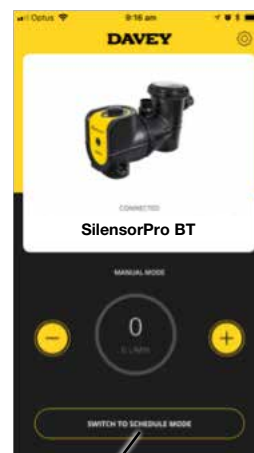
Two modes are available depending on whether you wish to manually operate the SilensorPRO, or alternatively you can create a schedule of operation.

Manual mode

- If in schedule mode, press “switch to manual mode”
- The app will now be in manual mode and you can manually adjust the speed by pressing the (+/ -) buttons.
- In manual mode, the SilensorPRO will run at the set speed, even if the phone is not in range.
- Anytime the dial is switched to the Bluetooth position, it will run at the previous set speed after the priming cycle.

Schedule mode

- There are two options (set a daily cycle, or a weekly cycle) by pressing the desired box.
- This option allows you to either create a standard “daily schedule” which will consistently operate the set levels every day;



To switch between manual or schedule mode you can press this button.

There are two options (set a daily cycle or a weekly cycle) by pressing the desired box. This option allows you to either create a standard “daily schedule” which will consistently operate the set levels every day

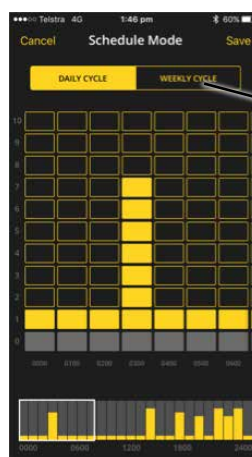
- The “weekly cycle” option can be set for the entire week, giving you the ability to alter daily pump cycles depending on the weather, bather load etc.

Setting a schedule

- Select the box which relates to the time that you require the pump to operate;
- Select the speed setting you would like the pump to run at any time. Note: Settings of the pump (1-10) refers to slowest to fastest operating speed of the pump;
- Once you are happy with your schedule, select “Save”. Communications between the device and the pump can take up to 20 seconds depending on the schedule selected;
- The row at the bottom of the screen indicates a summary of where the schedule is by day and by hour. This summary screen can easily be altered by swiping up or down the columns above;
- **Note:** If using a chlorinator, you must ensure that the “on” times on the pump correspond to the “on” times on the chlorinator. The pump will remain in the last used mode, whether that be manual mode or schedule mode.



Select to edit the schedule settings



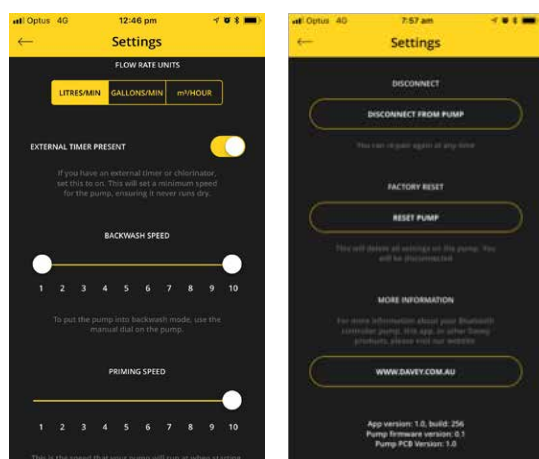
Select if you would like the daily cycle or the weekly cycle.

Settings

To alter setup settings, click on the settings icon:



This will display the following screens (scroll down screen for full information).



Priming speed / max speed

Each time your pump starts it will go through 2 minutes of priming to ensure there is water in the system. You can adjust the speed in which it does this between 5 & 10. The speed you set will limit the maximum speed the pump will run in manual or schedule mode.

Backwash

Can be set as a single speed or alternatively set two speeds and the pump speed will “pulse” between the two settings. Minimum speed can be set between 1-10, maximum speed can only be set between 5-10.

External time present

Swipe this on or off, depending on whether you are using an external timer/chlorinator.

Disconnect function

The “disconnect from pump” function can be used to:

- Allow another device to control the pump;
- Disconnect so that you will not automatically connect to the pump;
- Please note that the Bluetooth connection will automatically disconnect after a minute of no communication.

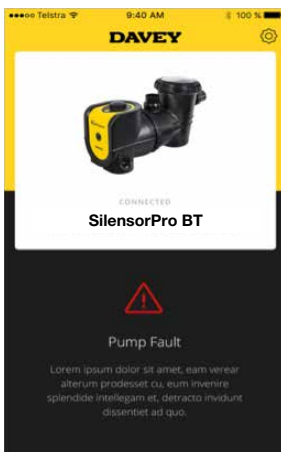
Factory reset

This will reset the pump back to factory configurations and allows you to start the setup process again.

- Select “reset pump”;
- Turn dial to “off” position, then turn dial to “Bluetooth”;
- You can then re-pair with your phone. This procedure is in place so that the pump cannot accidentally be reset.

Pump fault finding

In the instance that there is a fault, the following screen will appear, with text description below the fault indicating how to remedy.



Fault title	Fault description
Pump fault – overcurrent	Check that the motor can rotate freely. Unplug for 1 minute and plug back in to reset. If problem persists call Davey, or an authorised repair agent.
Pump fault – under voltage	Supply voltage issue. When power is back to normal, unplug for 1 minute and plug back in to reset.
Pump fault – over temperature	Pump is too hot. Check the ambient temperature. Set to lowest speed possible if ambient temperature is too high.
Pump fault – motor stalled	Check that the motor can rotate freely. Unplug for 1 minute and plug back in to reset.
Pump fault – underload/loss of prime	Check if there’s enough water inside the pump. Unplug for 1 minute and plug back in to reset. If problem persists call Davey, or an authorised repair agent.

Pump fault – motor over temperature; or
 Pump fault – over voltage; or
 Pump fault – earth fault; or
 Pump fault – system fault; or
 Pump fault – output phase fault; or
 Pump fault – power overload; or
 Pump fault – EEPROM checksum; or
 Pump fault – watchdog error; or
 Pump fault – back EFM protection; or
 Pump fault – thermistor fault; or
 Pump fault – safe torque off; or
 Pump fault – internal bus communication; or
 Pump fault – application error; or
 Pump fault – IGBT temperature high; or
 Pump fault – 4mA analogue input fault; or
 Pump fault – external fault; or
 Pump fault – keypad communication error; or
 Pump fault – fieldbus communication error; or
 Pump fault – fieldbus interface error.

Unplug for 1 minute and plug back in to reset. If problem persists call Davey, or an authorised repair agent.

7. ADVANCED SETUP OF SP400BT

External AUX connections overview

Your SilensorPRO SP400BT has an RJ45 style waterproof socket to allow for external control of motor speed and other functionality. A standard RJ45 network cable (without boot) can be used.



Figure 7.1: RJ45 Plug installed in housing (from rear)

It is recommended to keep the cable length between the pump and external pool controller or heater as short as possible. There are two major pin configurations as shown below:

RJ45 PINOUT

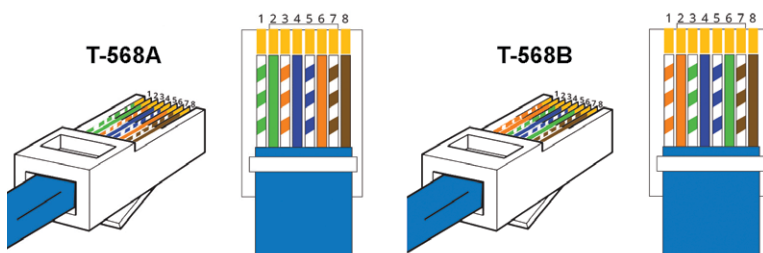


Figure 7.2: RJ45 pin connections

Pin	Function	T-568A	T-568B
1	RS485 +ve	Green/white	Orange/white
2	RS485 -ve	Green	Orange
3	Digital input 3	Orange/white	Green/white
4	Analogue input	Blue	Blue
5	0V DC ground	Blue/white	Blue/White
6	Digital input 2	Orange	Green
7	Digital input 1	Brown/white	Brown/white
8	24V	Brown	Brown

Check that the cable you use has the above colour coding pins 1 through to 8. If an alternative colour coding has been used make sure to record the colour which corresponds to each pin to avoid misconnection at the pool controller or heater. If an alternative cable is used make sure the analogue input and ground are a twisted pair.

The 24V connection is only to be used as a reference for the digital inputs – DO NOT power external equipment from this supply rail.

Digital control inputs

The 3 digital inputs allow for overriding the dial speed setting. To set one of these inputs either:

- Connect an isolated 24V supply between DC ground and the digital input pin
- Connect the switched contacts of a relay between the 24V pin and the digital input

The fixed speeds (as a proportion of full speed) are:

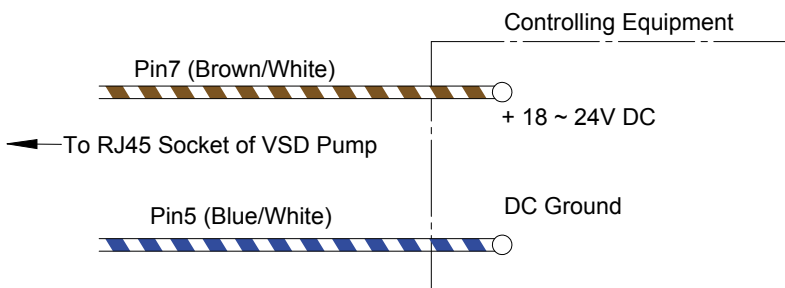
Input 1 (Pin 7)	Input 2 (Pin 6)	Input 3 (Pin 3)	Output Speed
0	0	0	Dial
0	0	24V	33%
0	24V	0	50%
0	24V	24V	Backwash
24V	0	0	100%
24V	0	24V	67%
24V	24V	0	83%

Interfacing equipment to the SilensorPRO SP400BT

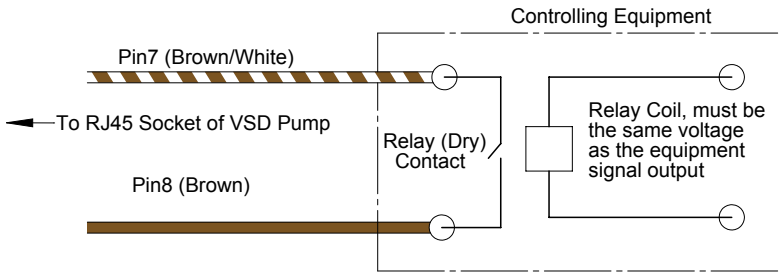


WARNING! A qualified electrician is required to carry out the work shown below.

The SilensorPRO SP400BT can be controlled by other equipment to turn it on to high speed (or any other pre-set speeds, see section 8 for details). This is to achieve maximum efficiency, for example, when using a gas heater, or a heat pump. If the equipment has an isolated 18- 24V DC signal output, simply connect pin 7 to 24V DC positive and pin 5 to DC ground as shown in the following diagram:



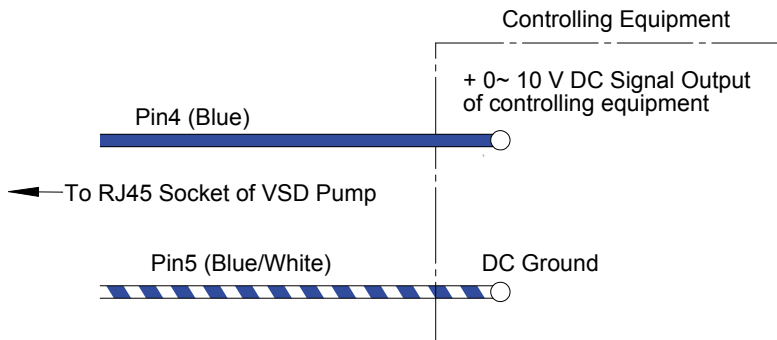
If the controlling equipment does not have 18-24V DC voltage output as above, but has 24V AC, 230V AC, 12V AC, or 12V DC etc. signal output, a suitable relay (the coil voltage must be the same as the signal output voltage of the controlling equipment) can be used to do this job as mentioned above, and shown in the following diagram:



If the controlling equipment already has the relay output (dry contact) for controlling purpose, an extra relay is not necessary, simply connect Pin 7 (Brown/White) and Pin 8 (Brown) to the dry contacts as shown in the left part of the diagram above.

Analogue control inputs

Speed control can also be achieved by connecting a 0-10V DC signal at the input on pin 4 (ground at pin 5). As soon as a signal above 0V is registered, this input will take priority over dial settings. For example, 10V DC will change pump speed pump to 100%, 5V DC will change pump speed to 50% etc.



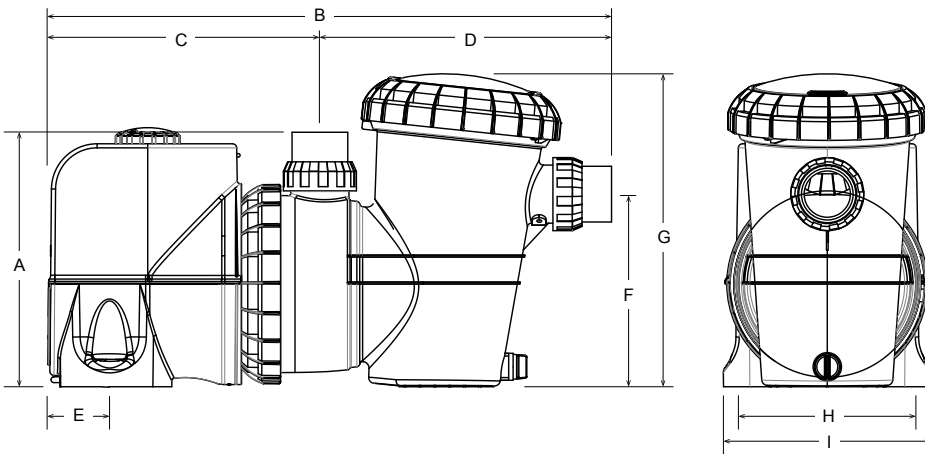
8. TECHNICAL SPECIFICATIONS

Model	SP200BT	SP400BT
Max head (m)	20	26
RPM	Speed 1 – 10: 1,500 – 3,600	Speed 1 – 10: 1,050 – 3,100
	Backwash speed: variable	
Enclosure class (IP)	45	
Insulation class	F	
Voltage (V)	220 – 240VAC	
Supply freq (Hz)	50/60 Hz	
Max input power: (W)	Speed 1: 128	Speed 1: 126
	Speed 5: 524	Speed 5: 728
	Speed 10: 1,111	Speed 10: 1,639
	Backwash speed: variable	

Operating Limits

Max water temperature:	40°C	40°C
Max ambient temperature:	50°C	50°C

Dimensions



A	B	C	D	E	F	G	H	I	Mounting Holes Diameter	Inlet/Outlet PVC	Net Weight (kg)
305mm	670mm	320mm	350mm	65mm	230mm	380mm	200mm	250mm	10mm	50/63	14

9. USING YOUR SILENSORPRO WITH A SALT WATER CHLORINATOR


Chlorinators require a minimum flow rate through the chlorinator cell for best efficiency and cell life. Please refer to your chlorinator guide as a reference for the flow required by your pool system. Ensure flow rate is enough to cover your chlorinator cell plates completely at all times of operation.

10. OPERATING YOUR SUCTION POOL CLEANER

Before installing or purchasing a pool cleaner for use with your SilensorPRO, it is important to know the minimum flow rates required for it to operate effectively.

To operate a suction pool cleaner:

- Activate the High Flow setting (10) and allow the pump to fully prime by running for around 2 minutes. You will know the pump is primed when you can see a strong flow of water through the clear leaf basket lid.
- When all air is expelled from the leaf basket, connect the pool cleaner hose firmly into the skimmer plate or dedicated wall suction.
- Select the speed setting that enables best performance from your suction pool cleaner. Speed 3 to 7 should be ample for most cleaners, however if the cleaner requires better performance, select speeds 7 to 10.
- The cleaner should only be connected for as long as is required to clean the surface of your pool. When cleaning is complete, disconnect the cleaner and remove the skimmer plate from the skimmer box.
- Reactivate the most efficient speed setting for daily filtration. Speeds 1 to 4 is recommended.




NOTE: To get optimum energy efficiency from your SilensorPRO, DO NOT keep the suction pool cleaner connected when cleaning is not required.



NOTE: If the SilensorPRO is hard-wired into a time clock, or another automatic control, the wiring should be removed by a qualified technician.

- Close the water valves on the pool return and the SilensorPRO inlet pipework;
- Remove the discharge & suction barrel unions taking care not to lose the o-rings;
- Move the pipework with the barrel unions attached until the SilensorPRO can be pulled clear.



NOTE: When making any enquiries about your SilensorPRO be certain to quote the model number from the nameplate located on the motor.

11. TROUBLE SHOOTING

If the pump runs but there is no water flow, or water flow is reduced, the following conditions may apply:

- The filter requires backwashing or it is blocked. Refer to the relevant section in the Filter Manual;
- The pump is not primed. Re-prime as per instruction in 'Starting the pump';
- There are air leaks in the suction piping. Check all piping and eliminate leaks, also check for a loose strainer basket lid. Air bubbles in the water flowing back to the pool would indicate a leak in the suction to the pump allowing air to enter the pipework.
- A leaking pump shaft seal may also prevent operation. Evidence of this would be water on the ground under the pump.
- The pump is not able to get water from the pool. Check that the valves to the pump are fully open and that the pool water level is up to the skimmer box. Typically, half way up the face of the skimmer box is sufficient;
- Blockage in the piping or pump. Remove the strainer basket and check for any blockage to the pump impeller entry. Check the skimmer box for blockage.

If the pump does not operate, the following conditions may apply:

- The power is not connected. For 220-240 volt only, check the power point by plugging in a portable appliance to ensure power is available. Also check fuses and the main power supply switch;
- Automatic overload is tripped. The pump has an in-built thermal overload which will reset automatically after the motor has cooled following an overheating period. Determine the cause of the overload tripping and rectify. Reset the pump by switching the power OFF for 30 seconds;
- Blockage is preventing the pump from rotating.

12. REMOVAL OF THE SILENSORPRO FROM PIPEWORK

Should it be necessary to remove the SilensorPRO, follow these instructions:

- Switch off the power and remove the plug from the power source;
- Unscrew the barrel union on the front and top of the pump, releasing the pump from the pipework;
- Slide the pump out of position.

13. WATER QUALITY

RECOMMENDED POOL WATER CHEMISTRY					
POOL WATER BALANCING	Free Chlorine (ppm)	pH	Total Alkalinity TA (ppm)	Calcium Hardness (ppm)	Stabiliser – Cyanuric Acid (ppm)
Ideal Reading / Range	1 – 3	Concrete & Tiled Pools: 7.4-7.6 Other Surfaces: 7.2-7.4	Concrete & Tiled Pools – 80-120. Other Surfaces – 125-150	Concrete & Tiled Pools – 200-275. Other Surfaces – 100-225	25 – 50
To Increase	Increase output of chlorinator. Add chlorine. Increase filtration time.	Add buffer or soda ash (Sodium Carbonate)	Add Sodium Bicarbonate	Add Calcium Chloride	Add Cyanuric Acid
To Decrease		Add Muriatic Acid	Add Muriatic Acid or Dry Acid	Partially drain & refill pool with lower hardness water to dilute	Partially drain & refill pool to dilute
Frequency of Testing	Weekly	Weekly	Weekly	Weekly	Regularly



Routine Maintenance tasks - to maximise the life of your pool equipment & personal safety, use this checklist once a week. Turn pump off first and remove from power supply.

- a. Make sure that any pressure gauges are in working condition and the operating pressure is within limits as specified on the product.
- b. Make sure that each suction inlet and main drain has a cover that is securely attached and in safe working condition.
- c. Make sure that all skimmer covers are securely attached and in safe working condition. These should be replaced every 3 to 4 years.
- d. Remove any obstructions or debris from the main drain cover.
- e. Ensure the skimmer baskets and the pump hair and lint pots are free of leaves and debris at least once a week.
- f. Remove obstructions and combustibles from around the pump motor.
- g. Make sure all wiring connections are clean and that all wiring and electrical equipment is in good condition. Damaged wiring must be repaired or replaced by a qualified electrician as soon as damage is discovered.
- h. Check water balance and sanitiser levels at your local pool shop.



POWER CONNECTIONS AND WIRING MUST BE CARRIED OUT BY AN AUTHORISED ELECTRICIAN.



DANGER Hazardous suction. Do not block water entry into filtration system with any part of your body as the pressure can trap hair or body parts, causing severe injury or death. Do not block suction.

Turn off pump immediately if someone becomes trapped.

Do not use or operate swimming pools, spas or spa baths if a suction cover is broken, missing or loose. Two suction covers and inlets must be provided into every pump to avoid suction entrapment.



In accordance with AS/NZS60335.2.41 we are obliged to inform you that this device is not to be used by children or infirm persons and must not be used as a toy by children.



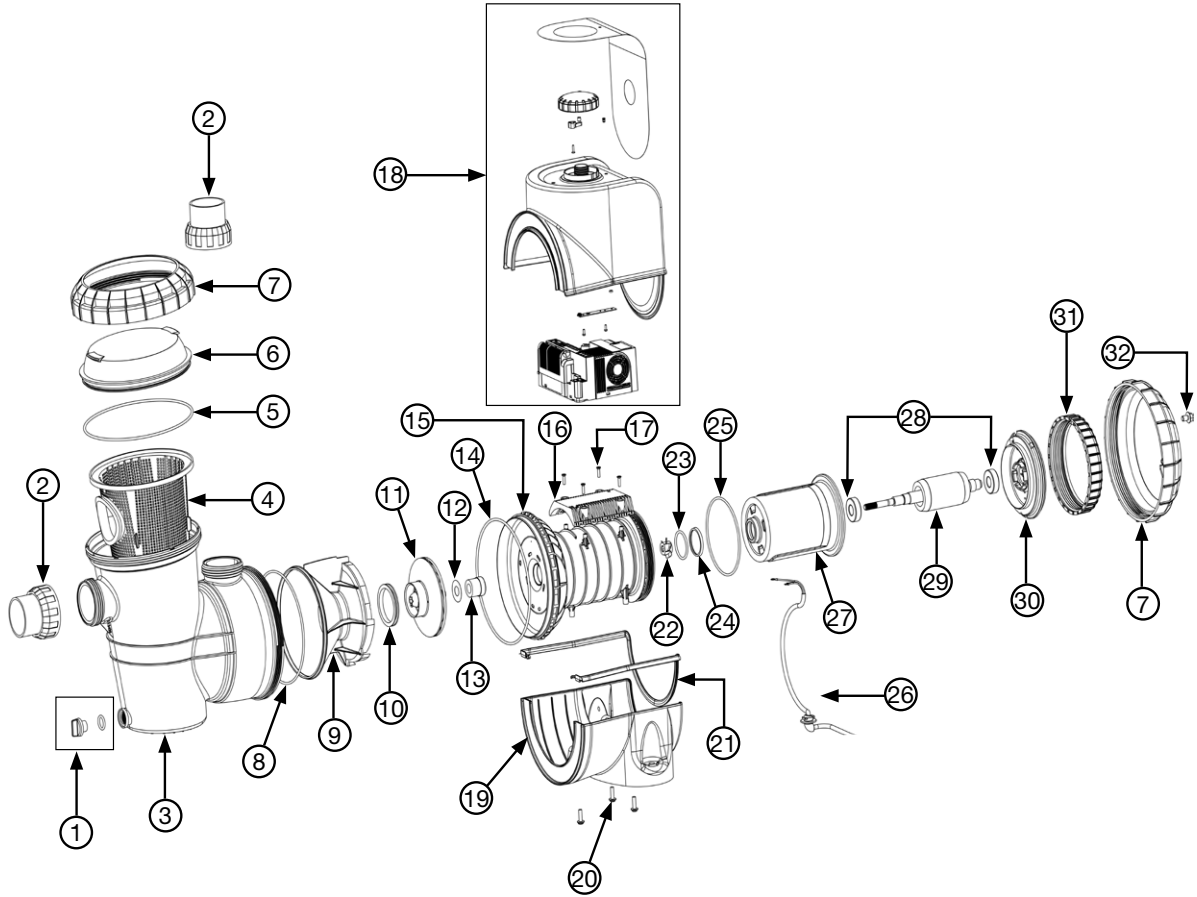
CAUTION! Do not add chemicals directly to the pool skimmer. Adding undiluted chemicals may damage pump and filter and void warranty.



CAUTION! Ensure pump is installed in location to prevent exposure to freezing temperatures.

14. SPARE PARTS EXPLODED VIEW AND LISTING

SilensorPRO Variable Speed Pool Pump	SP200SV	SP200BT
SilensorPRO Variable Speed Pool Pump	SP400SV	SP400BT



ITEM	PART NO.	DESCRIPTION	PART SPECIFICATIONS	NOTE	QTY REQ'D
1	8890-2SP	Plug & O-ring - Priming			1
2	33204SP	Barrel Union Assy (includes nut, tail & o-ring)	SP200SV/BT		2
2	48722B-1SP	Barrel Union Assy (includes nut, tail & o-ring)	SP400PV/BT		2
3	13439	Casing Front			1
4	13562SP	Strainer basket			1
5	403187	X-ring			1
6	13563	Lid & X-ring			1
7	13441-2	Case Nut - Large			1
8	43784	O-ring - Casing			1
9	13438	Diffuser			1
10	15869	Floating Neckring Rubber			1
11	32858	Impeller	SP200SV/BT		1
11	32364	Impeller Assy	SP400PV/BT		1
12	13846*10	Washer - Myler pk 10			1
13	49771SP	Seal - Mechanical 5/8"			1
14	44858	O-ring			1
15	13443-30	Motor Shell - Water Jacket			1

ITEM	PART NO.	DESCRIPTION	PART SPECIFICATIONS	NOTE	QTY REQ'D
16	15066	Heatsink			1
17	402431	Screws - Heatsink			4
18	32874	Top Casing Assy incl VSD	SP200SV		1
18	32983	Top Casing Assy incl VSD	SP200BT		1
18	32926	Top Casing Assy incl VSD	SP400PV		1
18	32978	Top Casing Assy incl VSD	SP400BT		1
19	15071	Bottom Casing	SP200SV/SP400PV		1
19	15071-2	Bottom Casing - BT Models			1
20	402435	Screw - Bottom Casing			3
21	15178	Gasket - Bottom Casing			1
22	13564	Fan			1
23	40001	O-ring - Front seal ring			1
24	12848	Front seal ring			1
25	43069	O-ring			1
26	15073-3	Power Lead			1
27	32888	Stator & Shell assy	SP200SV/BT		1
27	32948	Stator & Shell assy	SP400PV/BT		1
28	48997	Bearing - 6203-2RS1/C3Wt			1
28	403078	Bearing 6203 DDU2	(Anti Creep)		1
29	32278S-10	Rotor Assy	SP200SV/BT		1
29	32922	Rotor Assy	SP400PV/BT		1
30	13437-40M	Endshield			1
31	12845-10	Case Nut - Small			1
32	32356	Rear cover screw kit			1

Davey Warranty

Davey Water Products Pty Ltd (Davey) warrants all products sold will be (under normal use and service) free of defects in material and workmanship for a minimum period of one (1) year from the date of original purchase by the customer as marked on the invoice, for specific warranty periods for all Davey products visit daveywater.com.

This warranty does not cover normal wear and tear or apply to a product that has:

- been subject to misuse, neglect, negligence, damage or accident
- been used, operated or maintained other than in accordance with Davey's instructions
- not been installed in accordance with the Installation Instructions or by suitably qualified personnel
- been modified or altered from original specifications or in any way not approved by Davey
- had repairs attempted or made by other than Davey or its authorised dealers
- been subject to abnormal conditions such as incorrect voltage supply, lightning or high voltage spikes, or damages from electrolytic action, cavitation, sand, corrosive, saline or abrasive liquids,

The Davey warranty does not cover replacement of any product consumables or defects in products and components that have been supplied to Davey by third parties (however Davey will provide reasonable assistance to obtain the benefit of any third-party warranty).

To make a warranty claim:

- If the product is suspected of being defective, stop using it and contact the original place of purchase. Alternatively, phone Davey Customer Service or send a letter to Davey as per the contact details below
- Provide evidence or proof of date of original purchase
- If requested, return the product and/or provide further information with respect to the claim. Returning the product to the place of purchase is at your cost and is your responsibility.
- The warranty claim will be assessed by Davey on the basis of their product knowledge and reasonable judgement and will be accepted if:
 - a relevant defect is found
 - the warranty claim is made during the relevant warranty period; and
 - none of the excluded conditions listed above apply
- The customer will be notified of the warranty decision in writing and if found to be invalid the customer must organise collection of the product at their expense or authorise its disposal.

If the claim is found to be valid Davey will, at its option, repair or replace the product free of charge.

The Davey warranty is in addition to rights provided by local consumer law. You are entitled to a replacement or refund for a major failure and compensation for any other reasonably foreseeable loss or damage. You are also entitled to have the goods repaired or replaced if the goods fail to be of acceptable quality and the failure does not amount to a major failure.

For any internet connected products the consumer is responsible for ensuring a stable internet connection. In the event of a network failure the consumer will need to address the concern with the service provider. Use of an App is not a substitute for the User's own vigilance in ensuring the product is working to expectation. Use of a Smart Product App is at the User's own risk. To the fullest extent permitted by law Davey disclaims any warranties regarding the accuracy, completeness or reliability of App data. Davey is not responsible for any direct or indirect loss, damage or costs to the User arising from its reliance on internet connectivity. The User indemnifies Davey against any claims or legal actions from them or others relying on internet connectivity or App data may bring in this regard.

Products presented for repair may be replaced by refurbished products of the same type rather than being repaired. Refurbished parts may be used to repair the products. The repair of your products may result in the loss of any user-generated data. Please ensure that you have made a copy of any data saved on your products.

To the fullest extent permitted by law or statute, Davey shall not be liable for any loss of profits or any consequential, indirect or special loss, damage or injury of any kind whatsoever arising directly or indirectly from Davey products. This limitation does not apply to any liability of Davey for failure to comply with a consumer guarantee applicable to your Davey product under local laws and does not affect any rights or remedies that may be available to you under local laws.

For a complete list of Davey Dealers visit our website (daveywater.com) or call:

DAVEY

Davey Water Products Pty Ltd
Member of the GUD Group
ABN 18 066 327 517

daveywater.com

AUSTRALIA

Head Office

6 Lakeview Drive,
Scoresby, Australia 3179
Ph: 1300 232 839
Fax: 1300 369 119
Email: sales@davey.com.au

NEW ZEALAND

7 Rockridge Avenue,
Penrose, Auckland 1061
Ph: 0800 654 333
Fax: 0800 654 334
Email: sales@dwp.co.nz

EUROPE

7 rue Eugène Hénaff 69200
Vénissieux, France
Ph: +33 (0) 4 72 13 95 07
Fax: +33 (0) 4 72 33 64 57
Email: info@daveyurope.eu

NORTH AMERICA

Ph: 1-888-755-8654
Email: info@daveyusa.com

MIDDLE EAST

Ph: +971 50 6368764
Fax: +971 6 5730472
Email: info@daveyuae.com

DAVEY

SILENSOR[®]PRO
by **DAVEY**

SilensorPRO SP200BT e SP400BT

Pompa per piscina

Istruzioni di montaggio e di utilizzo

50/60Hz



SP200BT

SP400BT



Consultare il sito Web Davey del proprio Paese nonché il retro del presente documento per eventuali aggiornamenti alle informazioni del prodotto.

Si prega di trasmettere le presenti istruzioni all'operatore di questa apparecchiatura.

Complimenti per l'acquisto della pompa SilensorPRO SP200BT o SP400BT, un prodotto di alta qualità. Tutti i componenti sono stati progettati e realizzati per assicurare un funzionamento affidabile e privo di problemi.

Indice:

1.	INSTALLAZIONE DELLA POMPA A VELOCITÀ VARIABILE DAVEY	47
	Collegamenti elettrici	47
	Connessione delle tubazioni	47
2.	SCHEMA DI INSTALLAZIONE TIPICO	49
3.	SPECIFICHE SULLE PRESTAZIONI	49
	3.1 Prestazioni idrauliche della pompa SP200BT	49
	3.2 Specifiche elettriche della pompa SP200BT	50
	3.3 Prestazioni idrauliche della pompa SP400BT	50
	3.4 Specifiche elettriche della pompa SP400BT	50
4.	MANUALE D'USO	51
	Risparmio energetico con SilensorPRO	51
	Controlli prima dell'avviamento	51
	Funzionamento a basso consumo	52
	Linee guida per le ore di funzionamento consigliate della pompa	52
	Svuotamento del cestello del filtro	53
	Manutenzione ordinaria	53
5.	CARATTERISTICHE E FUNZIONALITÀ	54
	Indicatore LED multicolore	54
	Tecnologia del ciclo della velocità di controlavaggio	54
	Trasmissione completa a frequenza variabile con selettore di velocità selezionabile facile da usare	54
	Grande filtro lanugine da 4,5 litri	54
	Design brevettato raffreddato ad acqua per un funzionamento fluido e super silenzioso	54
	Compensazione flusso/velocità costante della pompa SP400BT	54
	Porta di comunicazione RJ45 resistente alle intemperie della pompa SP400BT (consultare la sezione 7 per i dettagli di collegamento)	54
6.	FUNZIONALITÀ BLUETOOTH	55
	Impostazione della app Bluetooth	55
	Associazione di un dispositivo alla pompa	55
	Timer esterno/Cloratore	55
	Modalità di programmazione	55
	Impostazione di un programma	56
	Impostazioni	56
	Velocità di adescamento / Velocità massima	56
	Controlavaggio	57
	Timer esterno presente	57
	Funzione di disconnessione	57
	Ripristino alle impostazioni di fabbrica	57
	Ricerca guasti della pompa	57
7.	IMPOSTAZIONI AVANZATE DELLA POMPA SP400BT	58
	Panoramica della connessione AUX esterna	58
	Ingressi di controllo digitale	59
	Interfacciamento dell'apparecchiatura con SilensorPRO SP400BT	59
	Ingressi di controllo analogico	60
8.	SPECIFICHE TECNICHE	60
9.	USARE LA POMPA SILENSORPRO CON UN CLORATORE DI ACQUA SALATA	61
10.	FUNZIONAMENTO DEL PULITORE PER PISCINE AD ASPIRAZIONE	61
11.	RISOLUZIONE DEI PROBLEMI	62
12.	RIMOZIONE DELLA POMPA SILENSORPRO DALLE TUBAZIONI	62
13.	QUALITÀ DELL'ACQUA	62
14.	GARANZIA DAVEY	64

1. INSTALLAZIONE DELLA POMPA A VELOCITÀ VARIABILE DAVEY

La pompa SilensorPRO deve essere posizionata il più vicino possibile all'acqua e montata su una base stabile in una posizione ben drenata, sufficientemente alta da evitare qualsiasi allagamento. È responsabilità dell'installatore/proprietario posizionare la pompa in modo che la targhetta identificativa possa essere facilmente letta e che la pompa SilensorPRO possa essere facilmente accessibile per l'assistenza. Si raccomanda che la pompa SilensorPRO sia protetta dalle intemperie. Gli involucri devono essere ventilati per evitare l'accumulo di condensa.



La mancata osservanza delle presenti istruzioni e il mancato rispetto di tutti i codici applicabili possono causare gravi lesioni personali e/o danni alle cose.

Questa pompa richiede esperienza professionale per l'installazione e la manutenzione. L'installazione di questo prodotto deve essere eseguita da una persona esperta nei requisiti idraulici della piscina e che segua le istruzioni di installazione fornite in questo manuale.

Collegamenti elettrici



INFORMAZIONI IMPORTANTI La pompa SilensorPRO presenta un doppio isolamento del circuito dell'acqua. Se è necessario una struttura di collegamento equipotenziale, allora viene fornito un punto di collegamento equipotenziale. (Fare riferimento a statuti e/o normative locali per le norme di cablaggio equivalenti ad AS/NZ 3000).

ATTENZIONE! Nell'interesse della sicurezza, consigliamo di installare tutte le marche e i tipi di pompe per piscine in conformità a AS/NZS 3000, note come norme di cablaggio nazionali o standard locali equivalenti. Tutte le installazioni elettriche devono essere eseguite da un elettricista qualificato. Davey raccomanda che tutte le installazioni siano dotate di dispositivi di protezione dalla dispersione verso terra o di corrente residua. La corrente di esercizio residua nominale non deve superare i 30 mA.

AVVERTENZA! Assicurarsi che un interruttore di isolamento elettrico sia facilmente accessibile in modo che la pompa possa essere spenta in caso di emergenza.

“L'alimentazione deve essere dotata di un dispositivo di protezione da sovracorrenti prima di essere collegata all'apparecchio.

Scollegare sempre l'apparecchio dall'alimentazione prima di montarlo, smontarlo o pulirlo.”

F	NFC C 15-100	GB	BS7671:1992
D	DIN VDE 0100-702	EW	EVHS-HD 384-7-702
A	OVE 8001-4-702	H	MSZ 2364-702:1994/MSZ 10-533 1/1990
E	UNE 20460-7-702 1993, REBT ITC-BT-31 2002	M	MSA HD 384-7-702.S2
IRL	IS HD 384-7-702	PL	PN-IEC 60364-7-702: 1999
I	CEI 64-8/7	CZ	CSN 33 2000 7-702
LUX	384-7.702 S2	SK	STN 33 2000-7-702
NL	NEN 1010-7.702	SLO	SIST HD 384-7-702.S2

La pompa SilensorPRO è adatta per il collegamento a un'alimentazione nominale da 220 – 240 volt 50/60 Hz ed è dotata di cavo flessibile. Se una presa di corrente non è disponibile entro 3 metri dalla pompa, potrebbe essere necessario che l'elettricista provveda a un'adeguata presa di corrente tripolare in un luogo sicuro e asciutto. Le prolunghie non sono sicure intorno alle piscine e dovrebbero essere evitate. Se il cavo di alimentazione della pompa SilensorPRO è danneggiato, deve essere sostituito da Davey o da un agente autorizzato con ricambi originali Davey.

La pompa SilensorPRO incorpora il rilevamento del sovraccarico del motore progettato per proteggere il motore dal surriscaldamento. Se il motore si riscalda troppo durante il funzionamento, la sua velocità operativa si ridurrà per portarlo entro una temperatura operativa accettabile e quindi accelererà fino alla velocità impostata originariamente.

Per ripristinare il motore, spegnere l'alimentazione per 30 secondi e quindi rialimentare dall'interruttore di rete.

Connessione delle tubazioni

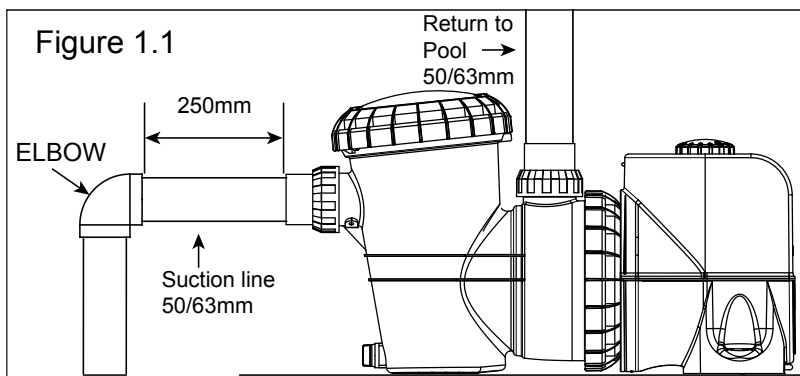
Le valvole a sfera sono fornite per il collegamento alle condutture dalla piscina. Le pompe sono progettate per accettare raccordi in PVC da 50/63 mm.



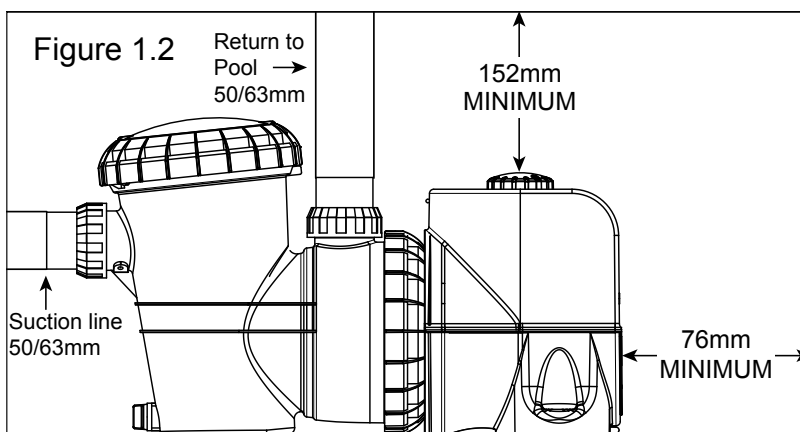
INFORMAZIONI IMPORTANTI Se la pompa SilensorPRO e il filtro si trovano sotto il livello dell'acqua della piscina, è necessario installare valvole di intercettazione nel tubo tra la pompa e la scatola del separatore e nel tubo di ritorno dal filtro alla piscina. Quando si collega il tubo di scarico, assicurarsi che le tubazioni non interferiscano con il selettore della velocità delle pompe. Le valvole a sfera devono essere serrate a mano. Non sono richiesti sigillanti, colle o siliconi.

I raccordi sulla pompa SilensorPRO sono realizzati in ABS. Alcuni composti per giunzioni in PVC sono incompatibili con l'ABS. Verificare l'idoneità dei composti prima dell'uso.

L'uso di qualsiasi tubo più piccolo di quelli sopra specificati non è raccomandato. Le tubazioni di aspirazione devono essere prive di ogni perdita d'aria e da eventuali gobbe e cavità che causano difficoltà di aspirazione. Per ottenere la massima efficienza, la pompa SilensorPRO deve essere installata in modo tale da limitare al massimo flussi d'acqua turbolenti. Come mostrato nella figura 1.1, non installare un gomito a 90° a meno di 250 mm dal raccordo. Le valvole di intercettazione, utilizzate nei casi in cui l'apparecchiatura si trova al di sotto del livello dell'acqua della piscina, devono essere installate a non più di 250 mm dal raccordo. Questo aiuterà a ottenere un regime laminare.



La tubazione di scarico dall'uscita della pompa SilensorPRO deve essere collegata alla connessione di ingresso sul filtro della piscina (di solito sulla valvola di controllo del filtro). Come mostrato nella figura 1.2, assicurare uno spazio sufficiente sopra la pompa per non interferire con il selettore di velocità della pompa SilensorPRO. Utilizzare una valvola di ritegno nella linea di scarico quando si utilizza questa pompa per qualsiasi applicazione in cui vi sia un'altezza significativa verso l'impianto idraulico dopo la pompa.

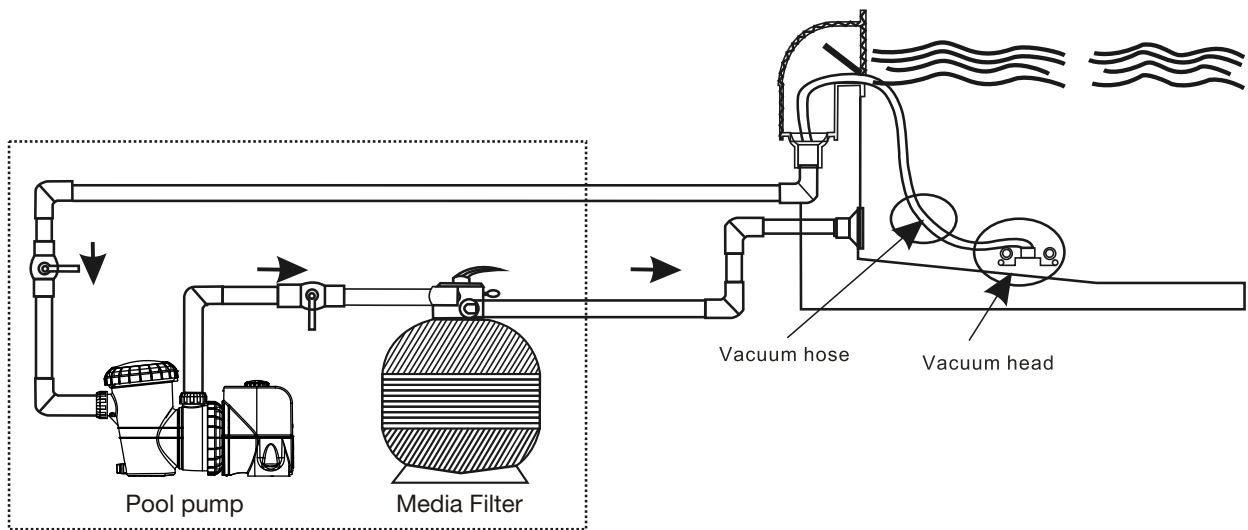


Assicurarsi di installare le valvole di ritegno durante l'installazione con un'altra pompa. Questo aiuta a prevenire la rotazione inversa della girante e del motore.



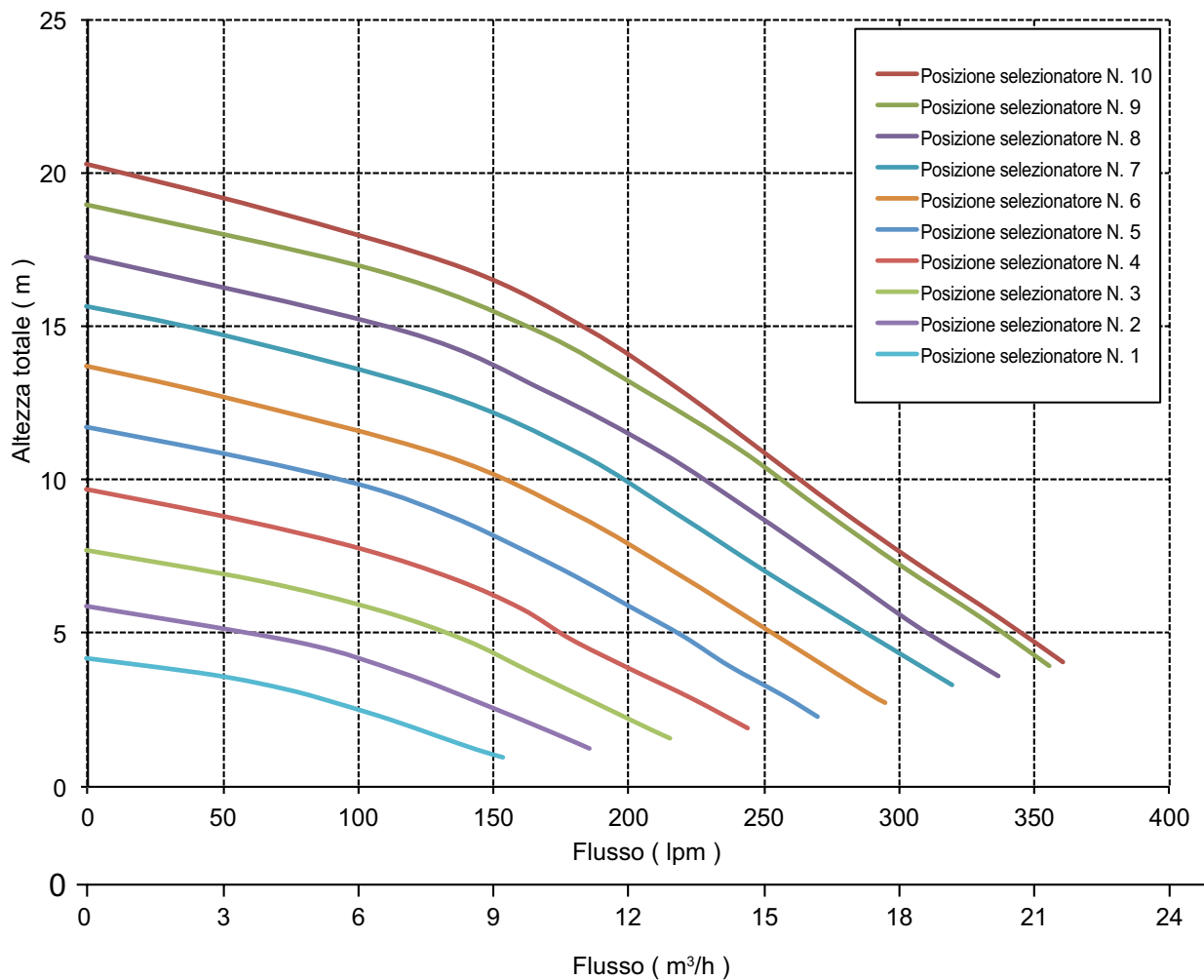
AVVERTENZA! L'aspirazione della pompa è pericolosa e può intrappolare e annegare o sventrare i bagnanti. Non bloccare l'aspirazione. Non far funzionare piscine, spa o bagni termali se un coperchio di aspirazione è rotto, mancante o allentato. Per evitare l'intrappolamento per effetto dell'aspirazione, devono essere previsti due coperchi di aspirazione e ingressi in ogni pompa.

2. SCHEMA DI INSTALLAZIONE TIPICO



3. SPECIFICHE SULLE PRESTAZIONI

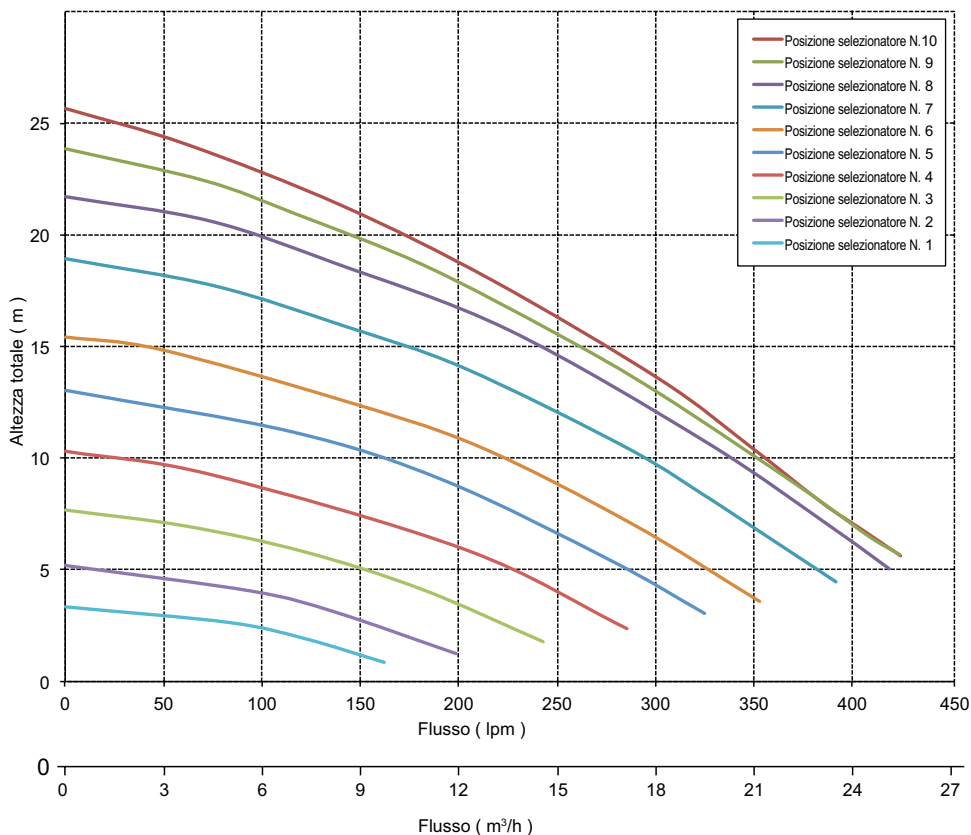
Prestazioni idrauliche della pompa SP200BT



Specifiche elettriche della pompa SP200BT

Velocità Impostazione	Miglior punto di efficienza							Massimo						
	Flusso		Capo	Potenza di ingresso (P ₁)		Potenza di uscita (P ₂)		Flusso		Capo	Potenza di ingresso (P ₁)		Potenza di uscita (P ₂)	
	L/min	m ³ /h	m	hp	W	hp	W	L/min	m ³ /h	m	hp	W	hp	W
1	85	5.1	3	0.16	123	0.11	86	155	9.3	4	0.17	128	0.12	90
2	100	6.0	4	0.26	193	0.18	135	187	11.2	6	0.28	207	0.19	145
3	125	7.5	5	0.38	283	0.26	198	217	13.0	7	0.39	293	0.27	205
4	143	8.6	6	0.51	383	0.36	268	246	14.8	10	0.53	398	0.37	279
5	155	9.3	8	0.66	495	0.46	347	272	16.3	12	0.70	524	0.49	367
6	160	9.6	10	0.82	612	0.57	428	297	17.8	14	0.87	655	0.61	459
7	183	11.0	11	1.02	766	0.71	536	322	19.3	16	1.08	807	0.75	565
8	195	11.7	12	1.17	880	0.82	616	339	20.3	17	1.25	936	0.87	655
9	207	12.4	13	1.36	1,017	0.95	712	358	21.5	19	1.44	1,078	1.01	755
10	210	12.6	14	1.45	1,090	1.02	763	363	21.8	20	1.48	1,111	1.04	778

Prestazioni idrauliche della pompa SP400BT



Specifiche elettriche della pompa SP400BT

Velocità Impostazione	Miglior punto di efficienza							Massimo						
	Flusso		Capo	Potenza di ingresso (P ₁)		Potenza di uscita (P ₂)		Flusso		Capo	Potenza di ingresso (P ₁)		Potenza di uscita (P ₂)	
	L/min	m ³ /h	m	hp	W	hp	W	L/min	m ³ /h	m	hp	W	hp	W
1	98	5.9	2	0.16	117	0.11	82	160	9.6	3	0.17	126	0.12	88
2	112	6.7	4	0.26	192	0.18	134	197	11.8	5	0.28	210	0.20	147
3	140	8.4	5	0.42	316	0.29	221	240	14.4	8	0.46	347	0.32	243
4	165	9.9	7	0.62	468	0.44	328	282	16.9	10	0.70	522	0.49	366
5	190	11.4	9	0.88	660	0.62	462	322	19.3	13	0.97	728	0.68	509
6	200	12.0	11	1.09	817	0.76	572	349	21.0	15	1.22	912	0.85	638
7	225	13.5	13	1.44	1,080	1.01	756	388	23.3	19	1.61	1,211	1.13	848
8	240	14.4	15	1.77	1,330	1.24	931	414	24.9	22	1.97	1,478	1.38	1,034
9	250	15.0	16	1.99	1,495	1.40	1,047	420	25.2	24	2.18	1,636	1.53	1,145
10	260	15.6	16	2.16	1,620	1.51	1,134	420	25.2	26	2.19	1,639	1.53	1,147

4. MANUALE D'USO

Questa pompa SilensorPRO è abilitata al Bluetooth, quindi sarà possibile impostare e controllare le funzioni della pompa dal proprio dispositivo intelligente. Il Bluetooth è un protocollo di comunicazione wireless che consente la comunicazione tra dispositivi. Questa funzione è supportata da qualsiasi dispositivo in grado di scaricare un'app da iOS o dall'App Store di Android.

Leggere queste istruzioni nella loro interezza prima di accendere questa pompa. Se non si è sicuri di queste istruzioni di installazione e uso, contattare Davey come indicato sul retro di questo documento.

Ogni pompa SilensorPRO viene accuratamente testata sull'acqua in base a un numero di parametri di portata, pressione, tensione, corrente e prestazione meccanica. L'avanzata tecnologia di produzione delle pompe di Davey fornisce prestazioni di pompaggio affidabili ed efficienti che durano a lungo.

Risparmio energetico con SilensorPRO

La pompa a velocità variabile Davey è una pompa super efficiente che utilizza un motore AC a variazione continua di ultima generazione e molto intelligente, che offre livelli di rumore più bassi, costi operativi ridotti e minori emissioni di gas serra rispetto alle pompe da piscina tradizionali.

Grazie alla sua capacità di funzionare a velocità inferiori rispetto alle pompe convenzionali, la vostra pompa subirà anche meno usura meccanica per effetto delle minori sollecitazioni sui componenti meccanici interni. Ottenere un pompaggio efficiente dal punto di vista energetico è facile. Basta far funzionare la pompa di filtrazione a una velocità inferiore, ma per un periodo di tempo più a lungo rispetto a una pompa a velocità fissa convenzionale così da "rinnovare" l'acqua della piscina per un'adeguata filtrazione e igiene. Il risultato è un minore consumo di energia e costi operativi inferiori fino al 70%.

La pompa SilensorPRO dispone di regolazione della velocità, così da poter variare la velocità di ricircolo dell'acqua della piscina o della spa. Le velocità possono essere regolate per alimentare un pulitore da piscina di aspirazione, un sistema di pulizia a pavimento e riscaldatori per piscine. È possibile selezionare un'impostazione di controlavaggio sulla pompa per eseguire il controlavaggio di un mezzo filtrante.

Cosa aspettarsi per la propria piscina dotata di pompa SilensorPRO (in modalità a risparmio energetico):

- Se la pompa SilensorPRO è in sostituzione di una pompa a motore AC tradizionale, potrebbe essere necessario farla funzionare più a lungo della precedente pompa a velocità fissa. Questo è NORMALE e risparmierete energia quando utilizzate le impostazioni di velocità inferiore.
- È anche possibile notare che il manometro sul filtro indica una pressione molto più bassa di quella a cui si è abituati. Anche questo è NORMALE. La pressione del sistema inferiore è semplicemente il risultato della velocità e della portata inferiori prodotte dalla pompa.
- Durante il funzionamento alle impostazioni di velocità inferiori si noterà anche una significativa riduzione del rumore della pompa. Questo è un grande vantaggio in quanto consente di far funzionare la pompa SilensorPRO al di fuori delle ore di punta delle tariffe elettriche, contribuendo inoltre alla riduzione dei costi operativi. In più, i vicini vi ringrazieranno.

Molti prodotti della piscina si basano su portate minime per il miglior funzionamento e/o efficienza. Se si utilizzano impostazioni di flusso basso sulla pompa SilensorPRO (ad es. Velocità 1 - 4), Davey raccomanda di verificare la compatibilità della velocità o della portata minima richiesta per il funzionamento di apparecchiature specifiche della piscina come:

- pulitori per piscine con aspirazione;
- generatori di ozono;
- sistemi di riscaldamento;
- celle del cloratore di acqua salata;
- sistemi di pulizia della piscina a pavimento.

Controlli prima dell'avviamento

- L'impostazione della velocità scelta dev'essere compatibile con altre apparecchiature per piscina
- La pompa dev'essere installata in un ambiente sicuro e asciutto
- L'involucro della pompa deve disporre di un drenaggio adeguato in caso di perdite
- Tutti i tappi di trasporto devono essere rimossi
- La tubazione dev'essere correttamente sigillata e supportata
- La pompa dev'essere correttamente innescata
- L'alimentatore dev'essere collegato correttamente
- Tutti i passaggi devono essere stati eseguiti per un funzionamento sicuro
- Il filtro dev'essere stato collegato con un tubo da 50/63 mm
- Le impostazioni del programma (App) devono corrispondere a qualsiasi altro tempo nel sistema

Funzionamento a basso consumo

La pompa SilensorPRO SP200BT permette di impostare la velocità tra 1500 - 3600 giri/minuto. La pompa SilensorPRO SP400BT permette di impostare la velocità tra 1.050 - 3100 giri/minuto. La velocità 1 corrisponde al livello minimo mentre la velocità 10 al livello massimo.

- La velocità 1 fornisce la velocità più bassa e quindi la massima efficienza energetica e di risparmio.

Funzionamento	Impostazione di velocità consigliata
Effettuare il controlavaggio del mezzo filtrante	Velocità di controlavaggio
Filtrazione piscina	Velocità da 1 a 4
Funzionamento del pulitore per piscine di aspirazione	Velocità da 5 a 8
Pulire manualmente la vostra piscina	Velocità da 9 a 10
Funzionamento caratteristica delle acque	
Funzionamento getto spa	
Sistemi di pulizia della piscina a pavimento	
Riscaldamento solare della piscina	

Linee guida per le ore di funzionamento consigliate della pompa

Il tasso di rinnovo tipico delle piscine residenziali deve essere un singolo rinnovo dell'intero volume dell'acqua della piscina, entro il periodo di un giorno in cui la pompa sarebbe normalmente in funzione. La tabella seguente fornisce una guida solo per i tempi di funzionamento della pompa mentre è in modalità di filtrazione al fine di ottenere il tasso di rinnovo minimo:

SilensorPRO SP200BT

Dimensioni della piscina (litri)	Impostazione della velocità (ore)		
	Velocità 1	Velocità 5	Velocità 10
20.000	3,3	1,7	1,1
30.000	5,0	2,5	1,7
40.000	6,7	3,3	2,2
50.000	8,3	4,2	2,8
60.000	10,0	5,0	3,3
80.000	13,3	6,7	4,4
100.000	16,7	8,3	5,6

SilensorPRO SP400BT

Dimensioni della piscina (litri)	Impostazione della velocità (ore)		
	Velocità 1	Velocità 5	Velocità 10
20.000	2,4	1,3	0,9
30.000	3,7	2,0	1,4
40.000	4,9	2,7	1,9
50.000	6,1	3,3	2,3
60.000	7,4	4,0	2,8
80.000	9,8	5,3	3,8
100.000	12,3	6,7	4,7



Conformemente a EN 60335.1 siamo tenuti a informarvi che questo apparecchio può essere utilizzato da bambini di età superiore a 8 anni e da persone con ridotte capacità fisiche, sensoriali o mentali o con mancanza di esperienza e conoscenza, a condizione che siano attentamente sorvegliati e istruiti riguardo all'uso in sicurezza dell'apparecchio, e siano consapevoli dei rischi coinvolti. Tenere sotto controllo i bambini per assicurarsi che non giochino con il prodotto.

Svuotamento del cestello del filtro

Il cestello del filtro deve essere ispezionato frequentemente attraverso il coperchio trasparente e svuotato quando è evidente un accumulo di spazzatura. Si devono seguire le seguenti indicazioni.

- Spegnerne la pompa e togliere la spina dall'alimentazione
- Svitare il coperchio del cestello del filtro in senso antiorario e rimuoverlo
- Rimuovere il cestello del filtro sollevandolo verso l'alto dal suo alloggiamento
- Svuotare i rifiuti intrappolati dal cestello. Pulire con acqua se necessario



NOTA: MAI battere il cestello di plastica su una superficie dura poiché potrebbe causare danni.

- Controllare che il cestello del filtro non presenti crepe, riposizionare il cestello dello skimmer nella pompa se è danneggiato
- Riposizionare il coperchio e assicurarsi che si sigilli sul grande o-ring in gomma. È richiesto solo un saldo serraggio con le mani. L'o-ring e il filetto possono essere lubrificati con Hydra Slip o prodotti equivalenti.



La mancata esecuzione di una manutenzione regolare può causare danni non coperti da garanzia.

Manutenzione ordinaria

Per massimizzare la durata della SilensorPRO e per la sicurezza personale, utilizzare questa lista di controllo una volta alla settimana. Assicurarsi che la pompa sia spenta prima di iniziare e che sia stata rimossa dall'alimentazione elettrica:

- Assicurarsi che tutti i manometri siano funzionanti e che la pressione operativa sia entro i limiti specificati sul prodotto
- Assicurarsi che ciascun ingresso di aspirazione e lo scarico principale siano dotati di un coperchio saldamente fissato e in condizioni di funzionamento sicuro
- Assicurarsi che tutti i coperchi del separatore siano fissati saldamente e in condizioni di funzionamento sicuro. Questi dovrebbero essere sostituiti ogni 3 o 4 anni
- Rimuovere eventuali ostruzioni o detriti dal coperchio dello scarico principale
- Accertarsi che i cestelli del separatore e della pompa siano privi di foglie e detriti almeno una volta alla settimana
- Rimuovere ostruzioni e combustibili attorno al motore della pompa
- Assicurarsi che tutti i collegamenti dei cablaggi siano puliti e che tutti i cablaggi e le apparecchiature elettriche siano in buone condizioni. Il cablaggio danneggiato deve essere riparato o sostituito da un elettricista qualificato non appena viene rilevato un danno

- Controllare i livelli di equilibrio idrico e dell'igienizzante presso il proprio punto di vendita locale

5. CARATTERISTICHE E FUNZIONALITÀ

La pompa SilensorPRO dispone di diverse funzionalità operative. Queste sono spiegate di seguito.

Indicatore LED multicolore

Utilizzato per identificare le impostazioni richieste per il tempo di programmazione per il ciclo a piena velocità (spinta) e le avvertenze:

- Verde fisso = funzionamento selettore normale
- Verde lampeggiante lento = modalità controlavaggio
- Verde lampeggiante veloce = controllo esterno AUX
- Bianco fisso = tempo di controlavaggio
- Bianco lampeggiante veloce = errore rilevato - ripristinare la pompa
- Blu lampeggiante lento = comandato dal Bluetooth
- Blu fisso = modalità Bluetooth

Tecnologia del ciclo della velocità di controlavaggio

In modalità di controlavaggio, la pompa SilensorPRO passa ciclicamente da una bassa ad un'alta velocità per aiutare ad agitare il mezzo filtrante per una pulizia più efficace. Questo riduce l'acqua sprecata e le sostanze chimiche durante il processo del ciclo di controlavaggio.

Trasmissione completa a frequenza variabile con selettore di velocità selezionabile facile da usare

- Fornisce una facile selezione della velocità di filtrazione desiderata
- Nessun comando complicato digitale a pulsante

Grande filtro lanugine da 4,5 litri

- Fornisce intervalli più lunghi tra la pulizia

Design brevettato raffreddato ad acqua per un funzionamento fluido e super silenzioso

La pompa SilensorPRO dispone di membrana raffreddata ad acqua e una camicia attorno al motore che aiuta a mantenere la pompa fresca durante il funzionamento. Il calore residuo del motore viene trasferito nell'acqua della piscina, contribuendo a ridurre i costi energetici del riscaldamento della piscina.

Compensazione flusso/velocità costante della pompa SP400BT

Quando il filtro della piscina si sporca, la pressione aumenta. Con una normale pompa per piscina, questo rallenterebbe il flusso che attraversa il sistema. La pompa SilensorPRO dispone dell'intelligenza in grado di rilevare automaticamente la resistenza applicata da un filtro e compensare lentamente la riduzione, aumentando la velocità del motore. Ciò permette di mantenere costante il flusso tra i cicli di pulizia del filtro.

Quando la pompa SilensorPRO rileva che l'aumento della velocità indica il tempo per il controlavaggio del filtro, l'indicatore a LED mostrerà una luce bianca fissa (vedere il punto precedente).

Porta di comunicazione RJ45 resistente alle intemperie della pompa SP400BT (consultare la sezione 7 per i dettagli di collegamento)

- Per la comunicazione e la connessione a sistemi di controllo esterni della piscina
- Per ricevere un segnale da una pompa di calore o un riscaldatore a gas per far salire a regime la velocità della pompa SilensorPRO durante il processo di riscaldamento

- Diagnostica del servizio e aggiornamenti del software (solo per uso Davey)

6. FUNZIONALITÀ BLUETOOTH

Impostazione della app Bluetooth

- Aprire l'app "App Store" disponibile sul dispositivo
- Cercare "pompa per piscina Davey"
- Installare l'app sul dispositivo



L'app può essere installata su tutti i dispositivi desiderati, tuttavia, solo un dispositivo può controllare la pompa in qualsiasi momento. La lingua e l'ora dell'app sono identiche alle impostazioni del dispositivo. Le unità di misura sono automaticamente impostate su unità di regione del dispositivo, tuttavia è possibile scegliere tra Litri, Galloni o m³/h.

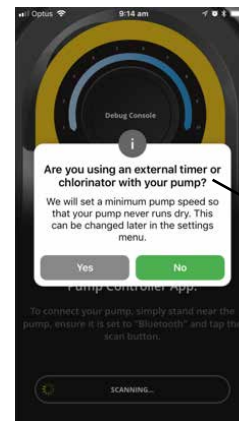
Associazione di un dispositivo alla pompa

- Aprire l'app sul proprio dispositivo smart
- Ruotando il selettore della pompa da "off" a "Bluetooth", il LED lampeggerà in bianco per un secondo
- Sul dispositivo, premere il tasto di connessione
- Quando si imposta SOLO per la prima volta, selezionare "SÌ" per consentire la localizzazione
- Si prega di notare che la prima volta che i dispositivi sono accoppiati, vi è un limite di tempo di 2 minuti per farlo dopo di che la procedura dovrà essere ripetuta

Timer esterno/Cloratore

Apparirà un pop-up che chiede se si sta utilizzando un timer esterno o un cloratore per controllare la pompa SilensorPRO. Selezionare "SÌ" o "NO". Questa è una funzione di sicurezza che aiuta a garantire il funzionamento del cloratore solo con la pompa in funzione.

Nota: le screenshot dell'app servono esclusivamente a scopo dimostrativo. Le schermate effettive possono variare.



Apparirà questo pop-up

Modalità manuale o di programmazione

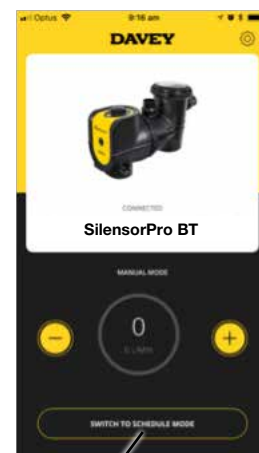
Sono disponibili due modalità, a seconda se si desidera utilizzare la pompa SilensorPRO manualmente o in alternativa è possibile creare un programma di funzionamento.

Modalità manuale

- Se in modalità di programmazione, premere "passa alla modalità manuale"
- L'app sarà ora in modalità manuale e potrete regolare manualmente la velocità premendo i pulsanti (+/-)
- In modalità manuale, la pompa SilensorPRO funzionerà alla velocità impostata, anche se il telefono non è nel raggio d'azione
- Ogni volta che il selettore viene impostato sulla posizione Bluetooth, funzionerà alla velocità impostata precedente dopo il ciclo di adescamento

Modalità di programmazione

- Ci sono due opzioni (impostare un ciclo giornaliero o un ciclo settimanale) premendo la casella desiderata
- Questa opzione consente di creare un "programma giornaliero" standard che gestirà costantemente i livelli



Per passare dalla modalità manuale a quella di programmazione, potete premere questo pulsante.

impostati ogni giorno.

Ci sono due opzioni (impostare un ciclo giornaliero o un ciclo settimanale) premendo la casella desiderata. Questa opzione consente di creare un "programma giornaliero" standard che gestirà costantemente i livelli impostati ogni giorno

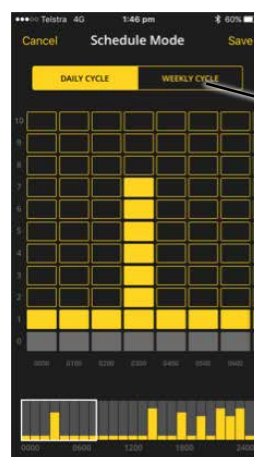
- L'opzione "ciclo settimanale" può essere impostata per l'intera settimana, dandovi la possibilità di modificare i cicli della pompa giornalieri a seconda del tempo, del carico del bagnante ecc.

Impostazione di un programma

- Selezionare la casella relativa all'ora in cui si vuole che la pompa funzioni
- Seleziona l'impostazione della velocità in cui si desidera che la pompa funzioni in qualsiasi momento. Nota: Le impostazioni della pompa (1-10) si riferiscono alla velocità di funzionamento dalla più lenta e alla più veloce della pompa.
- Una volta che soddisfatti del programma, selezionare "Salva". Le comunicazioni tra il dispositivo e la pompa possono richiedere fino a 20 secondi, a seconda del programma selezionato
- La riga nella parte inferiore dello schermo indica un riepilogo su dov'è il programma per giorno e per ora. Questa schermata riassuntiva può essere facilmente modificata facendo scorrere verso l'alto o verso il basso le colonne sopra
- **Nota:** se si utilizza un cloratore, è necessario assicurarsi che i tempi di "accensione" della pompa corrispondano ai tempi di "accensione" del cloratore. La pompa rimarrà nell'ultima modalità utilizzata, indipendentemente dalla modalità manuale o di programmazione.



Selezionare per modificare le impostazioni di programmazione



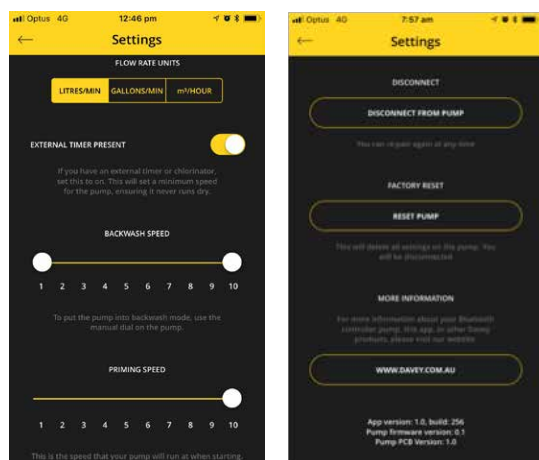
Selezionare se si desidera il ciclo giornaliero o il ciclo settimanale.

Impostazioni

Per modificare le impostazioni di configurazione, fare clic sull'icona delle impostazioni:



questo mostrerà le seguenti schermate (scorrere verso il basso nella schermata per informazioni complete).



Velocità di adescamento/velocità massima

Ogni volta che la pompa si avvia, passerà attraverso 2 minuti di adescamento per garantire che ci sia l'acqua nel sistema. È possibile regolare la velocità con cui esegue questa operazione tra 5 e 10. La velocità

impostata limiterà la velocità massima della pompa in modalità manuale o di programmazione.

Controlavaggio

Può essere impostato come singola velocità o in alternativa impostare due velocità e la velocità della pompa "passerà" tra le due impostazioni. La velocità minima può essere impostata tra 1-10, la velocità massima può essere impostata solo tra 5-10.

Timer esterno presente

Accenderlo e spegnerlo, a seconda che si stia utilizzando un timer esterno / un cloratore.

Funzione di disconnessione

La funzione "disconnessione dalla pompa" può essere utilizzata per:

- Consentire a un altro dispositivo di controllare la pompa
- Disconnettersi in modo da non collegarsi automaticamente alla pompa
- Si prega di notare che la connessione Bluetooth si disconnetterà automaticamente dopo un minuto di non comunicazione

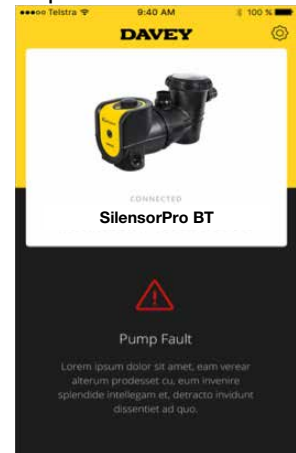
Ripristino alle impostazioni di fabbrica

Ciò ripristinerà la pompa alle configurazioni di fabbrica e consentirà di avviare nuovamente la procedura di configurazione.

- Selezionare "Ripristina pompa"
- Ruotare il selettore verso "off", quindi ruotare il selettore su "Bluetooth"
- È quindi possibile eseguire il riaccoppiamento con il telefono. Questa procedura è presente in modo che la pompa non possa essere ripristinata accidentalmente.

Ricerca guasti della pompa

Nel caso in cui ci sia un guasto, apparirà la seguente schermata, con la descrizione del testo sotto il guasto che indica come porvi rimedio.



Titolo del guasto	Descrizione del guasto
Guasto della pompa - sovracorrente	Controllare che il motore possa ruotare liberamente. Scollegare per 1 minuto e ricollegare per ripristinare. Se il problema persiste, contattare Davey o un agente di riparazione autorizzato.
Guasto alla pompa - sottotensione	Problema alla tensione di alimentazione. Se la corrente torna alla normalità, scollegare la spina per 1 minuto e ricollegarla per ripristinare.
Guasto della pompa - sovratemperatura	La pompa si è surriscaldata. Controllare la temperatura ambiente. Impostare la velocità minima possibile se la temperatura ambiente è troppo elevata.
Guasto della pompa - motore in stallo	Controllare che il motore possa ruotare liberamente. Scollegare per 1 minuto e ricollegare per ripristinare.
Guasto della pompa - sottocarico/mancanza di adescamento	Controllare la presenza di sufficiente acqua all'interno della pompa. Scollegare per 1 minuto e ricollegare per ripristinare. Se il problema persiste, contattare Davey o un agente di riparazione autorizzato.

Guasto della pompa - sovratemperatura del motore; o
 Guasto alla pompa - sovratensione; o
 Guasto alla pompa - guasto messa a terra; o
 Guasto alla pompa - guasto del sistema; o
 Guasto alla pompa - guasto fase di uscita; o
 Guasto alla pompa - sovraccarico alimentazione; o
 Guasto alla pompa - checksum EEPROM; o
 Guasto alla pompa - errore watchdog; o
 Guasto alla pompa - protezione posteriore EFM; o
 Guasto alla pompa - guasto del termistore; o
 Guasto alla pompa - coppia sicura disattivata; o
 Guasto alla pompa - comunicazione bus interna; o
 Guasto alla pompa - errore applicazione; o
 Guasto alla pompa - temperatura IGBT elevata; o
 Guasto alla pompa - guasto ingresso analogico 4 mA; o
 Guasto alla pompa - guasto esterno; o
 Guasto alla pompa - errore di comunicazione del tastierino; o
 Guasto alla pompa - errore di comunicazione bus di campo; o
 Guasto alla pompa - errore interfaccia bus di campo.

Scollegare per 1 minuto e ricollegare per ripristinare. Se il problema persiste, contattare Davey o un agente di riparazione autorizzato.

7. IMPOSTAZIONI AVANZATE DELLA POMPA SP400BT

Panoramica della connessione AUX esterna

La pompa SilensorPRO SP400BT dispone di una presa impermeabile del tipo RJ45 per consentire il controllo esterno della velocità del motore e altre funzionalità. È possibile utilizzare un cavo di rete RJ45 standard (senza avvio).



Figura 7.1: Spina RJ45 installata nell'alloggiamento (vista da dietro)

Si consiglia di mantenere la lunghezza del cavo la più corta possibile tra la pompa e il controller esterno o il riscaldatore della piscina. Ci sono due principali configurazioni dei pin come mostrato di seguito:

PIEDINATURA RJ45

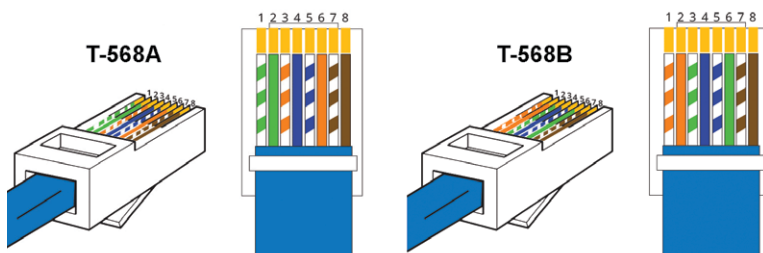


Figura 7.2: Connessioni pin RJ45

Pin	Funzione	T-568A	T-568B
1	RS485 +ve	Verde/Bianco	Arancione/Bianco
2	RS485 -ve	Verde	Arancione
3	Ingresso digitale 3	Arancione/Bianco	Verde/Bianco
4	Ingresso analogico	Blu	Blu
5	Terra 0 V CC	Blu/Bianco	Blu/Bianco
6	Ingresso digitale 2	Arancione	Verde
7	Ingresso digitale 1	Marrone/Bianco	Marrone/Bianco
8	24V	Marrone	Marrone

Verificare che il cavo utilizzato abbia i pin di codifica a colori di cui sopra da 1 fino a 8. Se è stata utilizzata una codifica a colori alternativa, assicurarsi di registrare il colore corrispondente a ciascun pin per evitare errori di connessione al controller o al riscaldatore della piscina. Se si utilizza un cavo alternativo, assicurarsi che l'ingresso analogico e la terra siano un doppino.

La connessione 24 V deve essere utilizzata solo come riferimento per gli ingressi digitali - NON alimentare apparecchiature esterne da questa guida di alimentazione.

Ingressi di controllo digitale

I 3 ingressi digitali consentono di ignorare l'impostazione della velocità di selezione. Per impostare uno di questi ingressi:

- Collegare un'alimentazione 24 V isolata tra la terra CC e il pin di ingresso digitale
- Collegare i contatti commutabili di un relè tra il pin 24 V e l'ingresso digitale

Le velocità fisse (come percentuale della piena velocità) sono:

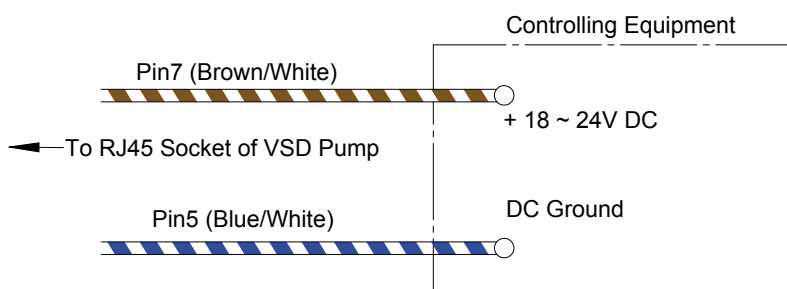
Ingresso 1 (Pin 7)	Ingresso 2 (Pin 6)	Ingresso 3 (Pin 3)	Velocità di uscita
0	0	0	Selettore
0	0	24V	33%
0	24V	0	50%
0	24V	24V	Controlavaggio
24V	0	0	100%
24V	0	24V	67%
24V	24V	0	83%

Interfacciamento dell'apparecchiatura con SilensorPRO SP400BT

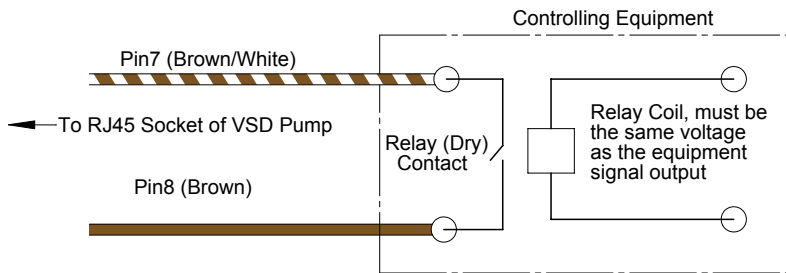


AVVERTENZA! Per eseguire il lavoro illustrato di seguito è necessario un elettricista qualificato.

La pompa SilensorPRO SP400BT può essere controllata da altre apparecchiature per accenderla ad alta velocità (o qualsiasi altra velocità preimpostata, vedere la sezione 8 per i dettagli). Questo al fine di ottenere la massima efficienza, ad esempio quando si utilizza un riscaldatore a gas o una pompa di calore. Se l'apparecchiatura ha un'uscita di segnale 18-24 V CC isolata, collegare semplicemente il pin 7 a 24 V CC positivo e il pin 5 alla terra CC come illustrato nello schema seguente:



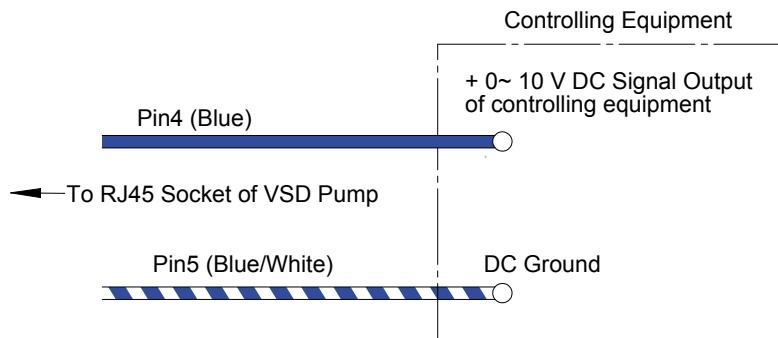
Se l'apparecchiatura di controllo non ha un'uscita di tensione di 18-24 V CC come sopra, ma dispone di un'uscita di segnale a 24 V CA, 230 V CA, 12 CA o 12 CC, un relè adeguato (la tensione della bobina deve essere uguale alla tensione di uscita del segnale dell'apparecchiatura di controllo) può essere impiegato a tale scopo come menzionato sopra, e mostrato nel seguente schema:



Se l'apparecchiatura di controllo ha già l'uscita relè (contatto secco) per il controllo, non è necessario un relè aggiuntivo, basta collegare il pin 7 (marrone/bianco) e il pin 8 (marrone) ai contatti secchi come mostrato nella parte sinistra dello schema di sopra.

Ingressi di controllo analogico

Il controllo della velocità può essere ottenuto anche collegando un segnale 0-10 V CC all'ingresso sul pin 4 (massa in corrispondenza del pin 5). Non appena viene registrato un segnale superiore a 0V, questo ingresso avrà la priorità sulle impostazioni di selezione. Ad esempio, un segnale da 10 V CC cambierà la velocità della pompa al 100%, mentre un segnale da 5 V CC cambierà la velocità della pompa al 50% ecc.



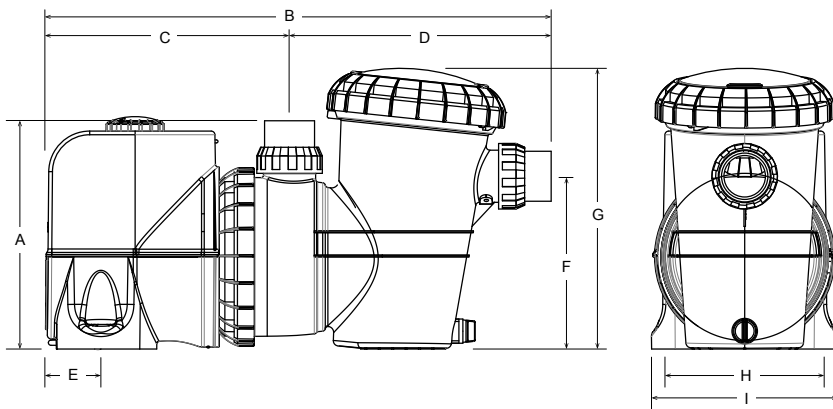
8. SPECIFICHE TECNICHE

Modello	SP200BT	SP400BT
Testa max (m)	20	26
GIRI/MIN	Velocità 1 – 10: 1500 – 3600	Velocità 1 – 10: 1.050 – 3.100
	Velocità di controlavaggio: variabile	
Classe involucro (IP)	45	
Classe di isolamento	F	
Tensione (V)	220 – 240VAC	
Frequenza di alimentazione (Hz)	50/60 Hz	
Massima potenza in ingresso: (W)	Velocità 1: 128	Velocità 1: 126
	Velocità 5: 524	Velocità 5: 728
	Velocità 10: 1.111	Velocità 10: 1.639
	Velocità di controlavaggio: variabile	

Limiti di funzionamento

Temperatura max acqua:	40°C	40°C
Temperatura ambiente max:	50°C	50°C

Dimensioni



A	B	C	D	E	F	G	H	I	Diametro fori di montaggio	Ingresso/ Uscita PVC	Peso netto (kg)
305mm	670mm	320mm	350mm	65mm	230mm	380mm	200mm	250mm	10mm	50/63	14

9. USARE LA POMPA SILENSORPRO CON UN CLORATORE DI ACQUA SALATA

I cloratori richiedono una portata minima attraverso la cella del cloratore per la massima efficienza e durata della cella. Consultare la guida del proprio cloratore come riferimento per la portata richiesta dal proprio sistema per piscina. Assicurarsi che la portata sia sufficiente per coprire completamente le piastre della cella del cloratore in ogni momento del funzionamento.

10. FUNZIONAMENTO DEL PULITORE PER PISCINE AD ASPIRAZIONE

Prima di installare o acquistare un pulitore per piscine da utilizzare con la pompa SilensorPRO, è importante conoscere le portate minime richieste per un funzionamento efficace.

Per il funzionamento di un pulitore per piscine ad aspirazione:

- Attivare l'impostazione Flusso Alto (10) e consentire alla pompa di adescarsi al massimo facendola funzionare per circa 2 minuti. Vi accorgete che la pompa è adescata quando è possibile vedere un forte flusso d'acqua attraverso il coperchio trasparente del cestello delle foglie
- Quando tutta l'aria viene espulsa dal cestello delle foglie, collegare saldamente il tubo del pulitore della piscina alla piastra del separatore o all'aspirazione a parete dedicata
- Selezionare l'impostazione della velocità che consente di ottenere le migliori prestazioni dal pulitore per piscina di aspirazione. La velocità da 3 a 7 dovrebbe essere sufficiente per la maggior parte dei pulitori, tuttavia se il pulitore richiede prestazioni migliori, selezionare la velocità da 7 a 10
- Il pulitore deve essere collegato solo per il tempo necessario a pulire la superficie della piscina. Al termine della pulizia, scollegare il pulitore e rimuovere la piastra del separatore dalla scatola del separatore
- Riattivare la velocità più efficiente per la filtrazione giornaliera. Si consiglia la velocità da 1 a 4



NOTA: Per ottenere l'efficienza energetica ottimale dal SilensorPRO, NON tenere collegato il pulitore della piscina di aspirazione quando non è necessaria la pulizia.



NOTA: Se la pompa SilensorPRO è collegata a un orologio in tempo reale o ad un altro controllo automatico, il cablaggio deve essere rimosso da un tecnico qualificato.

- Chiudere le valvole dell'acqua sul tubo di ritorno della piscina e le tubazioni di ingresso della pompa SilensorPRO
- Rimuovere le valvole a sfera di scarico e di aspirazione facendo attenzione di non perdere gli o-ring
- Spostare le tubazioni con le valvole a sfera attaccate fino a quando la pompa SilensorPRO possa essere tirata in modo libero



NOTA: Quando si inviano richieste relative alla pompa SilensorPRO, assicurarsi di citare il numero del modello riportato sulla targhetta situata sul motore.

11. RISOLUZIONE DEI PROBLEMI

Se la pompa funziona ma non c'è flusso d'acqua o il flusso dell'acqua è ridotto, si può verificare la seguente condizione:

- Il filtro richiede il controlavaggio o è ostruito. Fare riferimento alla sezione pertinente nel manuale del filtro
- La pompa non è adescata. Ri-adesca come da istruzioni in 'Avvio della pompa'
- Sono presenti perdite d'aria nelle tubazioni di aspirazione. Controllare tutte le tubazioni ed eliminare le perdite, controllare anche se il coperchio del cestello del filtro è allentato. Le bolle d'aria nell'acqua che scorre verso la piscina indicherebbero una perdita nell'aspirazione verso la pompa permettendo all'aria di entrare nelle tubazioni
- Una guarnizione dell'albero della pompa che perde potrebbe anche impedirne il funzionamento. Un'ulteriore prova di ciò può essere la presenza di acqua a terra sotto la pompa
- La pompa non è in grado di prelevare acqua dalla piscina. Verificare che le valvole della pompa siano completamente aperte e che il livello dell'acqua della piscina sia all'altezza della scatola del separatore. Solitamente, è sufficiente che la scatola del separatore sporga per metà
- Ostruzione nelle tubazioni o nella pompa. Rimuovere il cestello del filtro e verificare la presenza di eventuali ostruzioni all'ingresso della girante della pompa. Controllare che la scatola del separatore non sia ostruita

Se la pompa non funziona, si possono verificare le seguenti condizioni:

- L'alimentazione non è collegata. Solo per 220-240 volt, controllare il punto di alimentazione collegando un apparecchio portatile per assicurarsi che l'alimentazione sia disponibile. Controllare anche i fusibili e l'interruttore di alimentazione principale
- Il sovraccarico automatico è scattato. La pompa ha un sovraccarico termico incorporato che si ripristina automaticamente dopo che il motore si è raffreddato dopo un periodo di surriscaldamento. Determinare la causa dell'intervento di sovraccarico e correggere. Ripristinare la pompa spegnendo l'alimentazione per 30 secondi
- L'ostruzione impedisce alla pompa di ruotare

12. RIMOZIONE DELLA POMPA SILENSORPRO DALLE TUBAZIONI

Se fosse necessario rimuovere la pompa SilensorPRO, seguire le seguenti istruzioni:

- Spegner l'alimentazione e rimuovere la spina dalla fonte di alimentazione
- Svitare il raccordo nella parte anteriore e superiore della pompa, sganciando la pompa dalle tubazioni
- Far scivolare la pompa fuori posizione

13. QUALITÀ DELL'ACQUA

CHIMICA CONSIGLIATA DELL'ACQUA DELLA PISCINA

BILANCIAMENTO DELL'ACQUA DELLA PISCINA	Cloro libero (ppm)	pH	Alcalinità totale TA (ppm)	Durezza del calcio (ppm)	Stabilizzante - acido cianurico (ppm)
Lettura/intervallo ideale	1 – 3	Piscine piastrelate e in calcestruzzo: 7,4-7,6 Altre superfici: 7,2-7,4	Piscine piastrelate e in calcestruzzo – 80-120. Altre superfici – 125-150	Piscine piastrelate e in calcestruzzo – 200-275. Altre superfici – 100-225	25 – 50
Per aumentare	Aumentare la potenza del cloratore. Aggiungere cloro. Aumentare il tempo di filtrazione.	Aggiungi carbonato di sodio	Aggiungere bicarbonato di sodio	Aggiungere cloruro di calcio	Aggiungere acido cianurico
Per diminuire		Aggiungere acido muriatico	Aggiungere acido muriatico o acido secco	Svuotare parzialmente e riempire nuovamente la piscina con acqua di durezza inferiore per diluire	Svuotare parzialmente e riempire nuovamente la piscina per diluire
Frequenza del test	Ogni settimana	Ogni settimana	Ogni settimana	Ogni settimana	Regolarmente



Attività di manutenzione ordinaria - Per massimizzare la durata della SilensorPRO e per la sicurezza personale, utilizzare questa lista di controllo una volta alla settimana. Assicurarsi che la pompa sia spenta prima di iniziare e che sia stata rimossa dall'alimentazione elettrica:

- a. Assicurarsi che tutti i manometri siano funzionanti e che la pressione operativa sia entro i limiti specificati sul prodotto.
- b. Assicurarsi che ciascun ingresso di aspirazione e lo scarico principale siano dotati di un coperchio saldamente fissato e in condizioni di funzionamento sicuro.
- c. Assicurarsi che tutti i coperchi del separatore siano fissati saldamente e in condizioni di funzionamento sicuro. Questi dovrebbero essere sostituiti ogni 3 o 4 anni.
- d. Rimuovere eventuali ostruzioni o detriti dal coperchio dello scarico principale.
- e. Accertarsi che i cestelli del separatore e i filtri dei capelli e lanugine della pompa siano privi di foglie e detriti almeno una volta alla settimana.
- f. Rimuovere ostruzioni e combustibili attorno al motore della pompa.
- g. Assicurarsi che tutti i collegamenti dei cablaggi siano puliti e che tutti i cablaggi e le apparecchiature elettriche siano in buone condizioni. Il cablaggio danneggiato deve essere riparato o sostituito da un elettricista qualificato non appena viene rilevato un danno.
- h. Controllare i livelli di equilibrio idrico e dell'igienizzante presso il proprio punto di vendita locale.



I COLLEGAMENTI ELETTRICI E I CABLAGGI DEVONO ESSERE EFFETTUATI DA UN ELETTRICISTA AUTORIZZATO.



PERICOLO Aspirazione pericolosa. Non bloccare l'ingresso di acqua nel sistema di filtrazione con nessuna parte del corpo in quanto la pressione può intrappolare i capelli o parti del corpo, causando lesioni gravi o morte. Non bloccare l'aspirazione. Spegnere immediatamente la pompa se qualcuno rimane intrappolato. Non utilizzare o far funzionare piscine, spa o bagni termali se un coperchio di aspirazione è rotto, mancante o allentato. Per evitare l'intrappolamento per effetto dell'aspirazione, devono essere previsti due coperchi di aspirazione e ingressi in ogni pompa.



Conformemente alla norma AS/NZS60335.2.41 siamo tenuti a informarvi che questo dispositivo non deve essere usato da bambini o persone inferme e non deve essere usato come un giocattolo dai bambini.



ATTENZIONE! Non aggiungere prodotti chimici direttamente al separatore della piscina. L'aggiunta di sostanze chimiche non diluite può danneggiare la pompa e il filtro e invalidare la garanzia.



ATTENZIONE! Assicurarsi che la pompa sia installata in un luogo che impedisca l'esposizione a temperature di congelamento.

Garanzia Davey

Davey Water Products fornisce garanzie che non possono essere escluse dalla legge locale. Avete diritto a una sostituzione o al rimborso in caso di guasto grave e al risarcimento di qualsiasi altra perdita o danno ragionevolmente prevedibile. Avete inoltre diritto a far riparare o sostituire il prodotto qualora non fosse di qualità accettabile e il guasto non costituisse un guasto grave.

Davey Water Products Pty Ltd (Davey) con sede a 6 Lakeview Drive Scoresby VIC 3179 fornisce la seguente garanzia in relazione a questo prodotto. Fatte salve le esclusioni e le limitazioni di seguito, Davey assicura che il prodotto sia privo di difetti di materiale e lavorazione per un periodo di 24 mesi dalla data di acquisto (periodo di garanzia).

In presenza di un difetto nel prodotto prima del termine del periodo di garanzia, e qualora Davey ritenesse il prodotto difettoso per quanto riguarda i materiali o la lavorazione, a sua esclusiva discrezione Davey potrà:

1. sostituire o riparare gratuitamente il prodotto o la parte difettosa del prodotto; o
2. disporre la riparazione o la sostituzione del prodotto o della parte difettosa da parte di un riparatore qualificato, a titolo gratuito.

Davey si riserva il diritto di sostituire parti difettose del prodotto con parti o componenti di qualità, grado e composizione simili qualora non fossero disponibili parti o componenti identici. I prodotti presentati per la riparazione possono essere sostituiti da prodotti ricondizionati dello stesso tipo piuttosto che essere riparati.

Richieste in garanzia:

1. In caso di guasto coperto dalla garanzia, Davey suggerisce, in prima istanza, di contattare il rivenditore Davey dal quale è stato acquistato il prodotto. In alternativa, è possibile: telefonare alla linea di assistenza clienti Davey al numero 1300 367 866 in Australia o 0800 654 333 in Nuova Zelanda; inviare una lettera scritta all'indirizzo Davey sopra elencato; oppure inviare un'e-mail all'indirizzo sales@davey.com.au.
2. Qualsiasi reclamo in garanzia deve essere accompagnato dalla prova di acquisto e dai dettagli del presunto difetto.
3. Alla ricezione del reclamo, Davey cercherà di risolvere il problema e, se il prodotto è difettoso o malfunzionante, consiglierà come procedere per la riparazione, ottenere una sostituzione o un rimborso.
4. Questa garanzia è limitata ai difetti dei materiali o di lavorazione del prodotto e non copre le parti soggette a consumo o la sostituzione di parti a seguito di usura e rottura.

Esclusioni:

La garanzia non si applica nei casi in cui:

1. Il Prodotto sia stato modificato, riparato o sottoposto a manutenzione da una persona diversa da Davey o da un riparatore autorizzato.
2. Davey non sia in grado di riscontrare alcun difetto nel prodotto dopo il collaudo.
3. Il prodotto sia stato utilizzato per finalità diverse da quelle per cui è stato progettato.
4. Il prodotto sia stato esposto a condizioni anomale, sia in termini di temperatura, acqua, umidità, pressione, sollecitazioni o simili.
5. L'acquirente abbia utilizzato o montato parti e accessori non originali o non approvati.
6. Il difetto del Prodotto sia sorto a seguito di abuso, uso improprio, negligenza o incidente.
7. Il difetto del Prodotto sia sorto a seguito di una conservazione o un utilizzo del Prodotto non corretti da parte dell'acquirente.
8. Il danno sia stato causato dall'uso di prodotti chimici e detergenti non approvati da Davey.

Se il prodotto Davey richiede riparazioni o manutenzione una volta decorso il periodo di garanzia, contattare il rivenditore Davey più vicino, oppure telefonare o inviare un'e-mail al centro di assistenza clienti Davey. Per un elenco completo dei rivenditori Davey, visitare il nostro sito Web.

DAVEY

Davey Water Products Pty Ltd
Member of the GUD Group
ABN 18 066 327 517

daveywater.com

AUSTRALIA

Ufficio principale

6 Lakeview Drive,
Scoresby, Australia 3179
Ph: 1300 232 839
Fax: 1300 369 119
Email: sales@davey.com.au

NUOVA ZELANDA

7 Rockridge Avenue,
Penrose, Auckland 1061
Ph: 0800 654 333
Fax: 0800 654 334
Email: sales@dwp.co.nz

EUROPA

7 rue Eugène Hénaff 69200
Vénissieux, France
Ph: +33 (0) 4 72 13 95 07
Fax: +33 (0) 4 72 33 64 57
Email: info@daveyeurope.eu

NORD AMERICA

Ph: 1-888-755-8654
Email: info@daveyusa.com

MEDIO ORIENTE

Ph: +971 50 6368764
Fax: +971 6 5730472
Email: info@daveyuae.com

DAVEY

SILENSOR[®]PRO
by **DAVEY**

SilensorPRO SP200BT e SP400BT

Pompa per piscina

Istruzioni di montaggio e di utilizzo

50/60Hz



SP200BT

SP400BT



Consultare il sito Web Davey del proprio Paese nonché il retro del presente documento per eventuali aggiornamenti alle informazioni del prodotto.

Si prega di trasmettere le presenti istruzioni all'operatore di questa apparecchiatura.

Complimenti per l'acquisto della pompa SilensorPRO SP200BT o SP400BT, un prodotto di alta qualità. Tutti i componenti sono stati progettati e realizzati per assicurare un funzionamento affidabile e privo di problemi.

Indice:

1.	INSTALLAZIONE DELLA POMPA A VELOCITÀ VARIABILE DAVEY	47
	Collegamenti elettrici	47
	Connessione delle tubazioni	47
2.	SCHEMA DI INSTALLAZIONE TIPICO	49
3.	SPECIFICHE SULLE PRESTAZIONI	49
	3.1 Prestazioni idrauliche della pompa SP200BT	49
	3.2 Specifiche elettriche della pompa SP200BT	50
	3.3 Prestazioni idrauliche della pompa SP400BT	50
	3.4 Specifiche elettriche della pompa SP400BT	50
4.	MANUALE D'USO	51
	Risparmio energetico con SilensorPRO	51
	Controlli prima dell'avviamento	51
	Funzionamento a basso consumo	52
	Linee guida per le ore di funzionamento consigliate della pompa	52
	Svuotamento del cestello del filtro	53
	Manutenzione ordinaria	53
5.	CARATTERISTICHE E FUNZIONALITÀ	54
	Indicatore LED multicolore	54
	Tecnologia del ciclo della velocità di controlavaggio	54
	Trasmissione completa a frequenza variabile con selettore di velocità selezionabile facile da usare	54
	Grande filtro lanugine da 4,5 litri	54
	Design brevettato raffreddato ad acqua per un funzionamento fluido e super silenzioso	54
	Compensazione flusso/velocità costante della pompa SP400BT	54
	Porta di comunicazione RJ45 resistente alle intemperie della pompa SP400BT (con consultare la sezione 7 per i dettagli di collegamento)	54
6.	FUNZIONALITÀ BLUETOOTH	55
	Impostazione della app Bluetooth	55
	Associazione di un dispositivo alla pompa	55
	Timer esterno/Cloratore	55
	Modalità di programmazione	55
	Impostazione di un programma	56
	Impostazioni	56
	Velocità di adescamento / Velocità massima	56
	Controlavaggio	57
	Timer esterno presente	57
	Funzione di disconnessione	57
	Ripristino alle impostazioni di fabbrica	57
	Ricerca guasti della pompa	57
7.	IMPOSTAZIONI AVANZATE DELLA POMPA SP400BT	58
	Panoramica della connessione AUX esterna	58
	Ingressi di controllo digitale	59
	Interfacciamento dell'apparecchiatura con SilensorPRO SP400BT	59
	Ingressi di controllo analogico	60
8.	SPECIFICHE TECNICHE	60
9.	USARE LA POMPA SILENSORPRO CON UN CLORATORE DI ACQUA SALATA	61
10.	FUNZIONAMENTO DEL PULITORE PER PISCINE AD ASPIRAZIONE	61
11.	RISOLUZIONE DEI PROBLEMI	62
12.	RIMOZIONE DELLA POMPA SILENSORPRO DALLE TUBAZIONI	62
13.	QUALITÀ DELL'ACQUA	62
14.	GARANZIA DAVEY	64

1. INSTALLAZIONE DELLA POMPA A VELOCITÀ VARIABILE DAVEY

La pompa SilensorPRO deve essere posizionata il più vicino possibile all'acqua e montata su una base stabile in una posizione ben drenata, sufficientemente alta da evitare qualsiasi allagamento. È responsabilità dell'installatore/proprietario posizionare la pompa in modo che la targhetta identificativa possa essere facilmente letta e che la pompa SilensorPRO possa essere facilmente accessibile per l'assistenza. Si raccomanda che la pompa SilensorPRO sia protetta dalle intemperie. Gli involucri devono essere ventilati per evitare l'accumulo di condensa.



La mancata osservanza delle presenti istruzioni e il mancato rispetto di tutti i codici applicabili possono causare gravi lesioni personali e/o danni alle cose.

Questa pompa richiede esperienza professionale per l'installazione e la manutenzione. L'installazione di questo prodotto deve essere eseguita da una persona esperta nei requisiti idraulici della piscina e che segua le istruzioni di installazione fornite in questo manuale.

Collegamenti elettrici



INFORMAZIONI IMPORTANTI La pompa SilensorPRO presenta un doppio isolamento del circuito dell'acqua. Se è necessario una struttura di collegamento equipotenziale, allora viene fornito un punto di collegamento equipotenziale. (Fare riferimento a statuti e/o normative locali per le norme di cablaggio equivalenti ad AS/NZ 3000).

ATTENZIONE! Nell'interesse della sicurezza, consigliamo di installare tutte le marche e i tipi di pompe per piscine in conformità a AS/NZS 3000, note come norme di cablaggio nazionali o standard locali equivalenti. Tutte le installazioni elettriche devono essere eseguite da un elettricista qualificato. Davey raccomanda che tutte le installazioni siano dotate di dispositivi di protezione dalla dispersione verso terra o di corrente residua. La corrente di esercizio residua nominale non deve superare i 30 mA.

AVVERTENZA! Assicurarsi che un interruttore di isolamento elettrico sia facilmente accessibile in modo che la pompa possa essere spenta in caso di emergenza.

“L'alimentazione deve essere dotata di un dispositivo di protezione da sovracorrenti prima di essere collegata all'apparecchio.

Scollegare sempre l'apparecchio dall'alimentazione prima di montarlo, smontarlo o pulirlo.”

F	NFC C 15-100	GB	BS7671:1992
D	DIN VDE 0100-702	EW	EVHS-HD 384-7-702
A	OVE 8001-4-702	H	MSZ 2364-702:1994/MSZ 10-533 1/1990
E	UNE 20460-7-702 1993, REBT ITC-BT-31 2002	M	MSA HD 384-7-702.S2
IRL	IS HD 384-7-702	PL	PN-IEC 60364-7-702: 1999
I	CEI 64-8/7	CZ	CSN 33 2000 7-702
LUX	384-7.702 S2	SK	STN 33 2000-7-702
NL	NEN 1010-7.702	SLO	SIST HD 384-7-702.S2

La pompa SilensorPRO è adatta per il collegamento a un'alimentazione nominale da 220 – 240 volt 50/60 Hz ed è dotata di cavo flessibile. Se una presa di corrente non è disponibile entro 3 metri dalla pompa, potrebbe essere necessario che l'elettricista provveda a un'adeguata presa di corrente tripolare in un luogo sicuro e asciutto. Le prolunghie non sono sicure intorno alle piscine e dovrebbero essere evitate. Se il cavo di alimentazione della pompa SilensorPRO è danneggiato, deve essere sostituito da Davey o da un agente autorizzato con ricambi originali Davey.

La pompa SilensorPRO incorpora il rilevamento del sovraccarico del motore progettato per proteggere il motore dal surriscaldamento. Se il motore si riscalda troppo durante il funzionamento, la sua velocità operativa si ridurrà per portarlo entro una temperatura operativa accettabile e quindi accelererà fino alla velocità impostata originariamente.

Per ripristinare il motore, spegnere l'alimentazione per 30 secondi e quindi rialimentare dall'interruttore di rete.

Connessione delle tubazioni

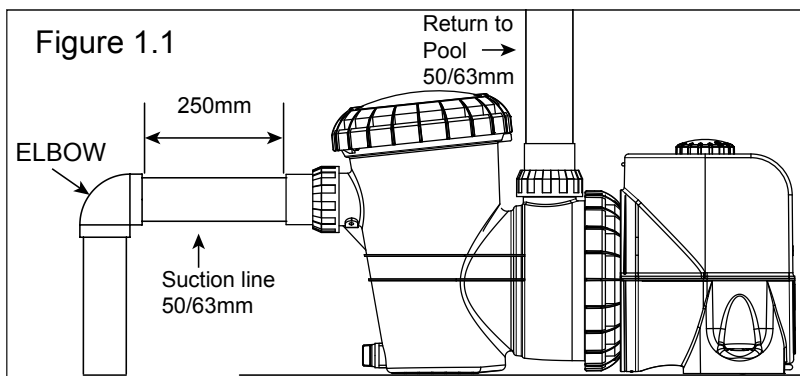
Le valvole a sfera sono fornite per il collegamento alle condutture dalla piscina. Le pompe sono progettate per accettare raccordi in PVC da 50/63 mm.



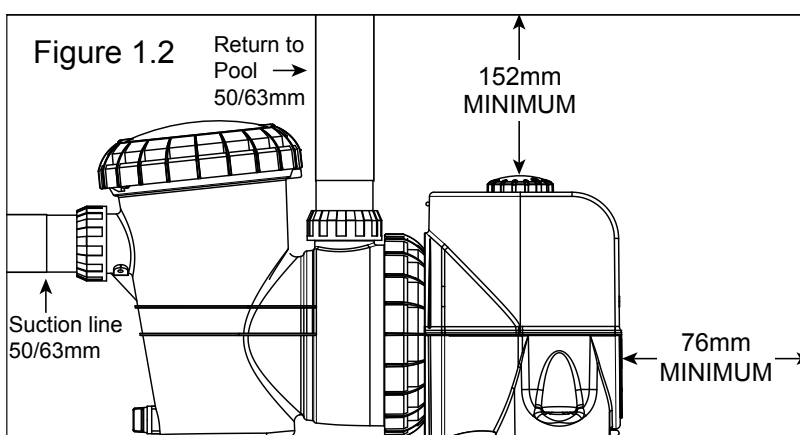
INFORMAZIONI IMPORTANTI Se la pompa SilensorPRO e il filtro si trovano sotto il livello dell'acqua della piscina, è necessario installare valvole di intercettazione nel tubo tra la pompa e la scatola del separatore e nel tubo di ritorno dal filtro alla piscina. Quando si collega il tubo di scarico, assicurarsi che le tubazioni non interferiscano con il selettore della velocità delle pompe. Le valvole a sfera devono essere serrate a mano. Non sono richiesti sigillanti, colle o siliconi.

I raccordi sulla pompa SilensorPRO sono realizzati in ABS. Alcuni composti per giunzioni in PVC sono incompatibili con l'ABS. Verificare l'idoneità dei composti prima dell'uso.

L'uso di qualsiasi tubo più piccolo di quelli sopra specificati non è raccomandato. Le tubazioni di aspirazione devono essere prive di ogni perdita d'aria e da eventuali gobbe e cavità che causano difficoltà di aspirazione. Per ottenere la massima efficienza, la pompa SilensorPRO deve essere installata in modo tale da limitare al massimo flussi d'acqua turbolenti. Come mostrato nella figura 1.1, non installare un gomito a 90° a meno di 250 mm dal raccordo. Le valvole di intercettazione, utilizzate nei casi in cui l'apparecchiatura si trova al di sotto del livello dell'acqua della piscina, devono essere installate a non più di 250 mm dal raccordo. Questo aiuterà a ottenere un regime laminare.



La tubazione di scarico dall'uscita della pompa SilensorPRO deve essere collegata alla connessione di ingresso sul filtro della piscina (di solito sulla valvola di controllo del filtro). Come mostrato nella figura 1.2, assicurare uno spazio sufficiente sopra la pompa per non interferire con il selettore di velocità della pompa SilensorPRO. Utilizzare una valvola di ritegno nella linea di scarico quando si utilizza questa pompa per qualsiasi applicazione in cui vi sia un'altezza significativa verso l'impianto idraulico dopo la pompa.

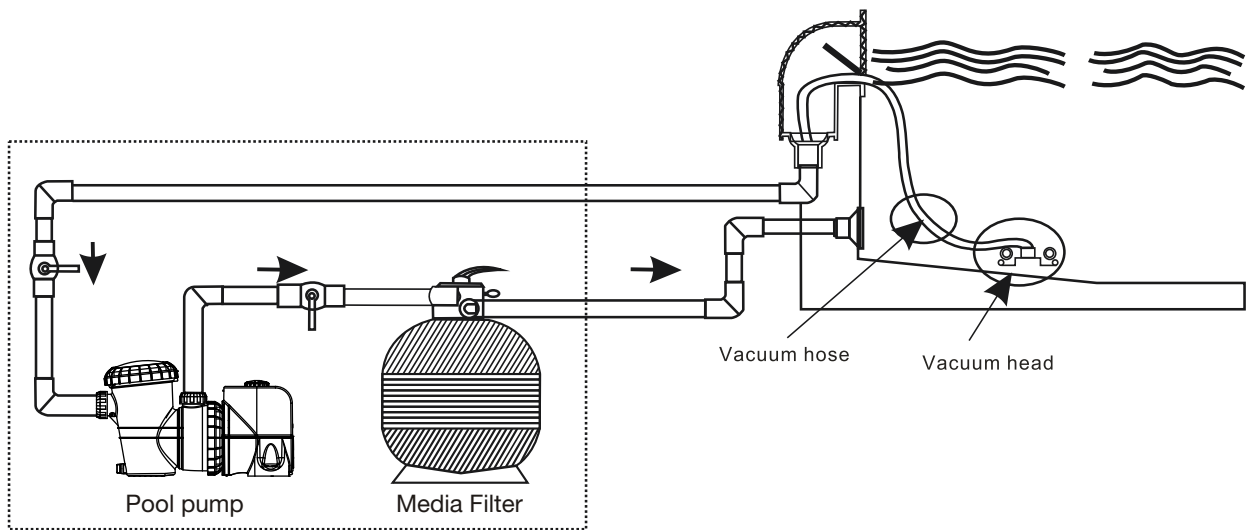


Assicurarsi di installare le valvole di ritegno durante l'installazione con un'altra pompa. Questo aiuta a prevenire la rotazione inversa della girante e del motore.



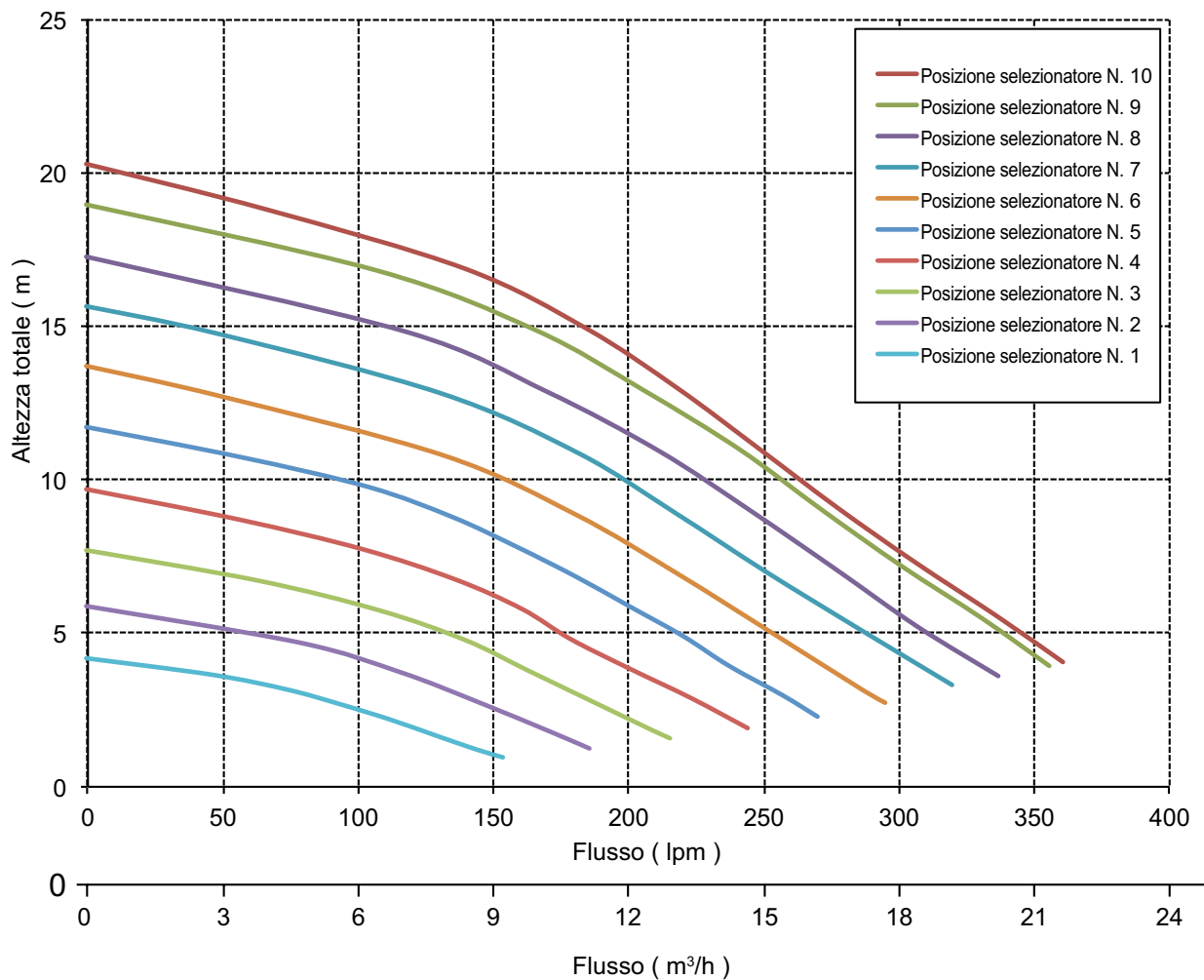
AVVERTENZA! L'aspirazione della pompa è pericolosa e può intrappolare e annegare o sventrare i bagnanti. Non bloccare l'aspirazione. Non far funzionare piscine, spa o bagni termali se un coperchio di aspirazione è rotto, mancante o allentato. Per evitare l'intrappolamento per effetto dell'aspirazione, devono essere previsti due coperchi di aspirazione e ingressi in ogni pompa.

2. SCHEMA DI INSTALLAZIONE TIPICO



3. SPECIFICHE SULLE PRESTAZIONI

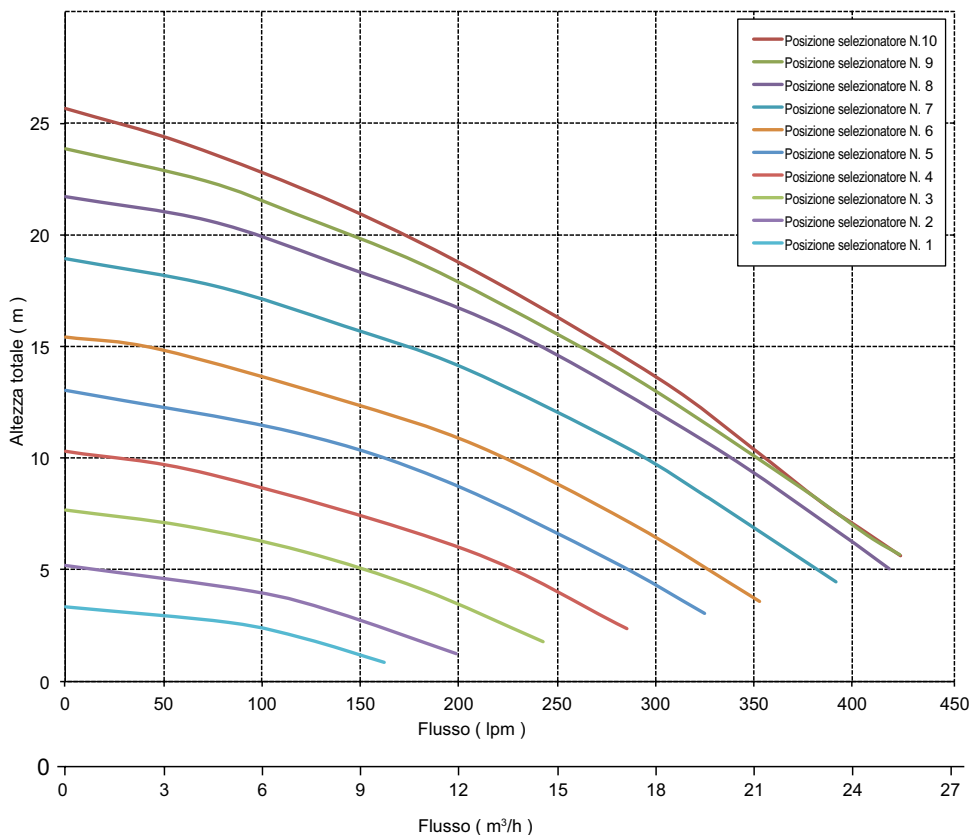
Prestazioni idrauliche della pompa SP200BT



Specifiche elettriche della pompa SP200BT

Velocità Impostazione	Miglior punto di efficienza							Massimo						
	Flusso		Capo	Potenza di ingresso (P ₁)		Potenza di uscita (P ₂)		Flusso		Capo	Potenza di ingresso (P ₁)		Potenza di uscita (P ₂)	
	L/min	m ³ /h	m	hp	W	hp	W	L/min	m ³ /h	m	hp	W	hp	W
1	85	5.1	3	0.16	123	0.11	86	155	9.3	4	0.17	128	0.12	90
2	100	6.0	4	0.26	193	0.18	135	187	11.2	6	0.28	207	0.19	145
3	125	7.5	5	0.38	283	0.26	198	217	13.0	7	0.39	293	0.27	205
4	143	8.6	6	0.51	383	0.36	268	246	14.8	10	0.53	398	0.37	279
5	155	9.3	8	0.66	495	0.46	347	272	16.3	12	0.70	524	0.49	367
6	160	9.6	10	0.82	612	0.57	428	297	17.8	14	0.87	655	0.61	459
7	183	11.0	11	1.02	766	0.71	536	322	19.3	16	1.08	807	0.75	565
8	195	11.7	12	1.17	880	0.82	616	339	20.3	17	1.25	936	0.87	655
9	207	12.4	13	1.36	1,017	0.95	712	358	21.5	19	1.44	1,078	1.01	755
10	210	12.6	14	1.45	1,090	1.02	763	363	21.8	20	1.48	1,111	1.04	778

Prestazioni idrauliche della pompa SP400BT



Specifiche elettriche della pompa SP400BT

Velocità Impostazione	Miglior punto di efficienza							Massimo						
	Flusso		Capo	Potenza di ingresso (P ₁)		Potenza di uscita (P ₂)		Flusso		Capo	Potenza di ingresso (P ₁)		Potenza di uscita (P ₂)	
	L/min	m ³ /h	m	hp	W	hp	W	L/min	m ³ /h	m	hp	W	hp	W
1	98	5.9	2	0.16	117	0.11	82	160	9.6	3	0.17	126	0.12	88
2	112	6.7	4	0.26	192	0.18	134	197	11.8	5	0.28	210	0.20	147
3	140	8.4	5	0.42	316	0.29	221	240	14.4	8	0.46	347	0.32	243
4	165	9.9	7	0.62	468	0.44	328	282	16.9	10	0.70	522	0.49	366
5	190	11.4	9	0.88	660	0.62	462	322	19.3	13	0.97	728	0.68	509
6	200	12.0	11	1.09	817	0.76	572	349	21.0	15	1.22	912	0.85	638
7	225	13.5	13	1.44	1,080	1.01	756	388	23.3	19	1.61	1,211	1.13	848
8	240	14.4	15	1.77	1,330	1.24	931	414	24.9	22	1.97	1,478	1.38	1,034
9	250	15.0	16	1.99	1,495	1.40	1,047	420	25.2	24	2.18	1,636	1.53	1,145
10	260	15.6	16	2.16	1,620	1.51	1,134	420	25.2	26	2.19	1,639	1.53	1,147

4. MANUALE D'USO

Questa pompa SilensorPRO è abilitata al Bluetooth, quindi sarà possibile impostare e controllare le funzioni della pompa dal proprio dispositivo intelligente. Il Bluetooth è un protocollo di comunicazione wireless che consente la comunicazione tra dispositivi. Questa funzione è supportata da qualsiasi dispositivo in grado di scaricare un'app da iOS o dall'App Store di Android.

Leggere queste istruzioni nella loro interezza prima di accendere questa pompa. Se non si è sicuri di queste istruzioni di installazione e uso, contattare Davey come indicato sul retro di questo documento.

Ogni pompa SilensorPRO viene accuratamente testata sull'acqua in base a un numero di parametri di portata, pressione, tensione, corrente e prestazione meccanica. L'avanzata tecnologia di produzione delle pompe di Davey fornisce prestazioni di pompaggio affidabili ed efficienti che durano a lungo.

Risparmio energetico con SilensorPRO

La pompa a velocità variabile Davey è una pompa super efficiente che utilizza un motore AC a variazione continua di ultima generazione e molto intelligente, che offre livelli di rumore più bassi, costi operativi ridotti e minori emissioni di gas serra rispetto alle pompe da piscina tradizionali.

Grazie alla sua capacità di funzionare a velocità inferiori rispetto alle pompe convenzionali, la vostra pompa subirà anche meno usura meccanica per effetto delle minori sollecitazioni sui componenti meccanici interni. Ottenere un pompaggio efficiente dal punto di vista energetico è facile. Basta far funzionare la pompa di filtrazione a una velocità inferiore, ma per un periodo di tempo più a lungo rispetto a una pompa a velocità fissa convenzionale così da "rinnovare" l'acqua della piscina per un'adeguata filtrazione e igiene. Il risultato è un minore consumo di energia e costi operativi inferiori fino al 70%.

La pompa SilensorPRO dispone di regolazione della velocità, così da poter variare la velocità di ricircolo dell'acqua della piscina o della spa. Le velocità possono essere regolate per alimentare un pulitore da piscina di aspirazione, un sistema di pulizia a pavimento e riscaldatori per piscine. È possibile selezionare un'impostazione di controlavaggio sulla pompa per eseguire il controlavaggio di un mezzo filtrante.

Cosa aspettarsi per la propria piscina dotata di pompa SilensorPRO (in modalità a risparmio energetico):

- Se la pompa SilensorPRO è in sostituzione di una pompa a motore AC tradizionale, potrebbe essere necessario farla funzionare più a lungo della precedente pompa a velocità fissa. Questo è NORMALE e risparmierete energia quando utilizzate le impostazioni di velocità inferiore.
- È anche possibile notare che il manometro sul filtro indica una pressione molto più bassa di quella a cui si è abituati. Anche questo è NORMALE. La pressione del sistema inferiore è semplicemente il risultato della velocità e della portata inferiori prodotte dalla pompa.
- Durante il funzionamento alle impostazioni di velocità inferiori si noterà anche una significativa riduzione del rumore della pompa. Questo è un grande vantaggio in quanto consente di far funzionare la pompa SilensorPRO al di fuori delle ore di punta delle tariffe elettriche, contribuendo inoltre alla riduzione dei costi operativi. In più, i vicini vi ringrazieranno.

Molti prodotti della piscina si basano su portate minime per il miglior funzionamento e/o efficienza. Se si utilizzano impostazioni di flusso basso sulla pompa SilensorPRO (ad es. Velocità 1 - 4), Davey raccomanda di verificare la compatibilità della velocità o della portata minima richiesta per il funzionamento di apparecchiature specifiche della piscina come:

- pulitori per piscine con aspirazione;
- generatori di ozono;
- sistemi di riscaldamento;
- celle del cloratore di acqua salata;
- sistemi di pulizia della piscina a pavimento.

Controlli prima dell'avviamento

- L'impostazione della velocità scelta dev'essere compatibile con altre apparecchiature per piscina
- La pompa dev'essere installata in un ambiente sicuro e asciutto
- L'involucro della pompa deve disporre di un drenaggio adeguato in caso di perdite
- Tutti i tappi di trasporto devono essere rimossi
- La tubazione dev'essere correttamente sigillata e supportata
- La pompa dev'essere correttamente innescata
- L'alimentatore dev'essere collegato correttamente
- Tutti i passaggi devono essere stati eseguiti per un funzionamento sicuro
- Il filtro dev'essere stato collegato con un tubo da 50/63 mm
- Le impostazioni del programma (App) devono corrispondere a qualsiasi altro tempo nel sistema

Funzionamento a basso consumo

La pompa SilensorPRO SP200BT permette di impostare la velocità tra 1500 - 3600 giri/minuto. La pompa SilensorPRO SP400BT permette di impostare la velocità tra 1.050 - 3100 giri/minuto. La velocità 1 corrisponde al livello minimo mentre la velocità 10 al livello massimo.

- La velocità 1 fornisce la velocità più bassa e quindi la massima efficienza energetica e di risparmio.

Funzionamento	Impostazione di velocità consigliata
Effettuare il controlavaggio del mezzo filtrante	Velocità di controlavaggio
Filtrazione piscina	Velocità da 1 a 4
Funzionamento del pulitore per piscine di aspirazione	Velocità da 5 a 8
Pulire manualmente la vostra piscina	Velocità da 9 a 10
Funzionamento caratteristica delle acque	
Funzionamento getto spa	
Sistemi di pulizia della piscina a pavimento	
Riscaldamento solare della piscina	

Linee guida per le ore di funzionamento consigliate della pompa

Il tasso di rinnovo tipico delle piscine residenziali deve essere un singolo rinnovo dell'intero volume dell'acqua della piscina, entro il periodo di un giorno in cui la pompa sarebbe normalmente in funzione. La tabella seguente fornisce una guida solo per i tempi di funzionamento della pompa mentre è in modalità di filtrazione al fine di ottenere il tasso di rinnovo minimo:

SilensorPRO SP200BT

Dimensioni della piscina (litri)	Impostazione della velocità (ore)		
	Velocità 1	Velocità 5	Velocità 10
20.000	3,3	1,7	1,1
30.000	5,0	2,5	1,7
40.000	6,7	3,3	2,2
50.000	8,3	4,2	2,8
60.000	10,0	5,0	3,3
80.000	13,3	6,7	4,4
100.000	16,7	8,3	5,6

SilensorPRO SP400BT

Dimensioni della piscina (litri)	Impostazione della velocità (ore)		
	Velocità 1	Velocità 5	Velocità 10
20.000	2,4	1,3	0,9
30.000	3,7	2,0	1,4
40.000	4,9	2,7	1,9
50.000	6,1	3,3	2,3
60.000	7,4	4,0	2,8
80.000	9,8	5,3	3,8
100.000	12,3	6,7	4,7



Conformemente a EN 60335.1 siamo tenuti a informarvi che questo apparecchio può essere utilizzato da bambini di età superiore a 8 anni e da persone con ridotte capacità fisiche, sensoriali o mentali o con mancanza di esperienza e conoscenza, a condizione che siano attentamente sorvegliati e istruiti riguardo all'uso in sicurezza dell'apparecchio, e siano consapevoli dei rischi coinvolti. Tenere sotto controllo i bambini per assicurarsi che non giochino con il prodotto.

Svuotamento del cestello del filtro

Il cestello del filtro deve essere ispezionato frequentemente attraverso il coperchio trasparente e svuotato quando è evidente un accumulo di spazzatura. Si devono seguire le seguenti indicazioni.

- Spegnerne la pompa e togliere la spina dall'alimentazione
- Svitare il coperchio del cestello del filtro in senso antiorario e rimuoverlo
- Rimuovere il cestello del filtro sollevandolo verso l'alto dal suo alloggiamento
- Svuotare i rifiuti intrappolati dal cestello. Pulire con acqua se necessario



NOTA: MAI battere il cestello di plastica su una superficie dura poiché potrebbe causare danni.

- Controllare che il cestello del filtro non presenti crepe, riposizionare il cestello dello skimmer nella pompa se è danneggiato
- Riposizionare il coperchio e assicurarsi che si sigilli sul grande o-ring in gomma. È richiesto solo un saldo serraggio con le mani. L'o-ring e il filetto possono essere lubrificati con Hydra Slip o prodotti equivalenti.



La mancata esecuzione di una manutenzione regolare può causare danni non coperti da garanzia.

Manutenzione ordinaria

Per massimizzare la durata della SilensorPRO e per la sicurezza personale, utilizzare questa lista di controllo una volta alla settimana. Assicurarsi che la pompa sia spenta prima di iniziare e che sia stata rimossa dall'alimentazione elettrica:

- Assicurarsi che tutti i manometri siano funzionanti e che la pressione operativa sia entro i limiti specificati sul prodotto
- Assicurarsi che ciascun ingresso di aspirazione e lo scarico principale siano dotati di un coperchio saldamente fissato e in condizioni di funzionamento sicuro
- Assicurarsi che tutti i coperchi del separatore siano fissati saldamente e in condizioni di funzionamento sicuro. Questi dovrebbero essere sostituiti ogni 3 o 4 anni
- Rimuovere eventuali ostruzioni o detriti dal coperchio dello scarico principale
- Accertarsi che i cestelli del separatore e della pompa siano privi di foglie e detriti almeno una volta alla settimana
- Rimuovere ostruzioni e combustibili attorno al motore della pompa
- Assicurarsi che tutti i collegamenti dei cablaggi siano puliti e che tutti i cablaggi e le apparecchiature elettriche siano in buone condizioni. Il cablaggio danneggiato deve essere riparato o sostituito da un elettricista qualificato non appena viene rilevato un danno

- Controllare i livelli di equilibrio idrico e dell'igienizzante presso il proprio punto di vendita locale

5. CARATTERISTICHE E FUNZIONALITÀ

La pompa SilensorPRO dispone di diverse funzionalità operative. Queste sono spiegate di seguito.

Indicatore LED multicolore

Utilizzato per identificare le impostazioni richieste per il tempo di programmazione per il ciclo a piena velocità (spinta) e le avvertenze:

- Verde fisso = funzionamento selettore normale
- Verde lampeggiante lento = modalità controlavaggio
- Verde lampeggiante veloce = controllo esterno AUX
- Bianco fisso = tempo di controlavaggio
- Bianco lampeggiante veloce = errore rilevato - ripristinare la pompa
- Blu lampeggiante lento = comandato dal Bluetooth
- Blu fisso = modalità Bluetooth

Tecnologia del ciclo della velocità di controlavaggio

In modalità di controlavaggio, la pompa SilensorPRO passa ciclicamente da una bassa ad un'alta velocità per aiutare ad agitare il mezzo filtrante per una pulizia più efficace. Questo riduce l'acqua sprecata e le sostanze chimiche durante il processo del ciclo di controlavaggio.

Trasmissione completa a frequenza variabile con selettore di velocità selezionabile facile da usare

- Fornisce una facile selezione della velocità di filtrazione desiderata
- Nessun comando complicato digitale a pulsante

Grande filtro lanugine da 4,5 litri

- Fornisce intervalli più lunghi tra la pulizia

Design brevettato raffreddato ad acqua per un funzionamento fluido e super silenzioso

La pompa SilensorPRO dispone di membrana raffreddata ad acqua e una camicia attorno al motore che aiuta a mantenere la pompa fresca durante il funzionamento. Il calore residuo del motore viene trasferito nell'acqua della piscina, contribuendo a ridurre i costi energetici del riscaldamento della piscina.

Compensazione flusso/velocità costante della pompa SP400BT

Quando il filtro della piscina si sporca, la pressione aumenta. Con una normale pompa per piscina, questo rallenterebbe il flusso che attraversa il sistema. La pompa SilensorPRO dispone dell'intelligenza in grado di rilevare automaticamente la resistenza applicata da un filtro e compensare lentamente la riduzione, aumentando la velocità del motore. Ciò permette di mantenere costante il flusso tra i cicli di pulizia del filtro.

Quando la pompa SilensorPRO rileva che l'aumento della velocità indica il tempo per il controlavaggio del filtro, l'indicatore a LED mostrerà una luce bianca fissa (vedere il punto precedente).

Porta di comunicazione RJ45 resistente alle intemperie della pompa SP400BT (consultare la sezione 7 per i dettagli di collegamento)

- Per la comunicazione e la connessione a sistemi di controllo esterni della piscina
- Per ricevere un segnale da una pompa di calore o un riscaldatore a gas per far salire a regime la velocità della pompa SilensorPRO durante il processo di riscaldamento

- Diagnostica del servizio e aggiornamenti del software (solo per uso Davey)

6. FUNZIONALITÀ BLUETOOTH

Impostazione della app Bluetooth

- Aprire l'app "App Store" disponibile sul dispositivo
- Cercare "pompa per piscina Davey"
- Installare l'app sul dispositivo



L'app può essere installata su tutti i dispositivi desiderati, tuttavia, solo un dispositivo può controllare la pompa in qualsiasi momento. La lingua e l'ora dell'app sono identiche alle impostazioni del dispositivo. Le unità di misura sono automaticamente impostate su unità di regione del dispositivo, tuttavia è possibile scegliere tra Litri, Galloni o m³/h.

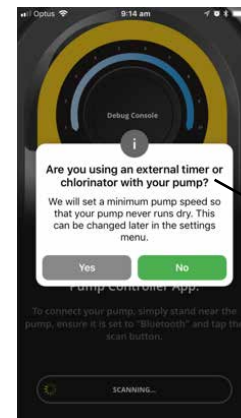
Associazione di un dispositivo alla pompa

- Aprire l'app sul proprio dispositivo smart
- Ruotando il selettore della pompa da "off" a "Bluetooth", il LED lampeggerà in bianco per un secondo
- Sul dispositivo, premere il tasto di connessione
- Quando si imposta SOLO per la prima volta, selezionare "SÌ" per consentire la localizzazione
- Si prega di notare che la prima volta che i dispositivi sono accoppiati, vi è un limite di tempo di 2 minuti per farlo dopo di che la procedura dovrà essere ripetuta

Timer esterno/Cloratore

Apparirà un pop-up che chiede se si sta utilizzando un timer esterno o un cloratore per controllare la pompa SilensorPRO. Selezionare "SÌ" o "NO". Questa è una funzione di sicurezza che aiuta a garantire il funzionamento del cloratore solo con la pompa in funzione.

Nota: le screenshot dell'app servono esclusivamente a scopo dimostrativo. Le schermate effettive possono variare.



Apparirà questo pop-up

Modalità manuale o di programmazione

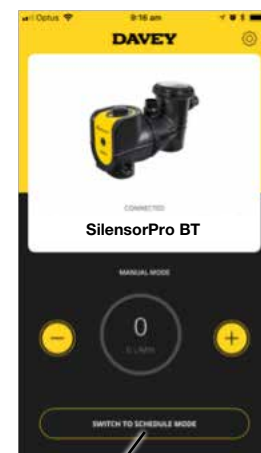
Sono disponibili due modalità, a seconda se si desidera utilizzare la pompa SilensorPRO manualmente o in alternativa è possibile creare un programma di funzionamento.

Modalità manuale

- Se in modalità di programmazione, premere "passa alla modalità manuale"
- L'app sarà ora in modalità manuale e potrete regolare manualmente la velocità premendo i pulsanti (+/-)
- In modalità manuale, la pompa SilensorPRO funzionerà alla velocità impostata, anche se il telefono non è nel raggio d'azione
- Ogni volta che il selettore viene impostato sulla posizione Bluetooth, funzionerà alla velocità impostata precedente dopo il ciclo di adescamento

Modalità di programmazione

- Ci sono due opzioni (impostare un ciclo giornaliero o un ciclo settimanale) premendo la casella desiderata
- Questa opzione consente di creare un "programma giornaliero" standard che gestirà costantemente i livelli



Per passare dalla modalità manuale a quella di programmazione, potete premere questo pulsante.

impostati ogni giorno.

Ci sono due opzioni (impostare un ciclo giornaliero o un ciclo settimanale) premendo la casella desiderata. Questa opzione consente di creare un "programma giornaliero" standard che gestirà costantemente i livelli impostati ogni giorno

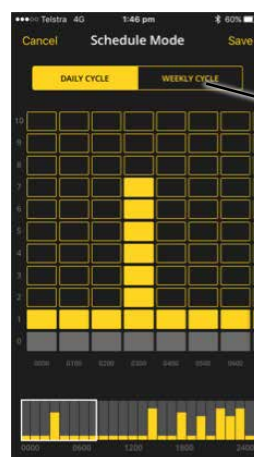
- L'opzione "ciclo settimanale" può essere impostata per l'intera settimana, dandovi la possibilità di modificare i cicli della pompa giornalieri a seconda del tempo, del carico del bagnante ecc.

Impostazione di un programma

- Selezionare la casella relativa all'ora in cui si vuole che la pompa funzioni
- Seleziona l'impostazione della velocità in cui si desidera che la pompa funzioni in qualsiasi momento. Nota: Le impostazioni della pompa (1-10) si riferiscono alla velocità di funzionamento dalla più lenta e alla più veloce della pompa.
- Una volta che soddisfatti del programma, selezionare "Salva". Le comunicazioni tra il dispositivo e la pompa possono richiedere fino a 20 secondi, a seconda del programma selezionato
- La riga nella parte inferiore dello schermo indica un riepilogo su dov'è il programma per giorno e per ora. Questa schermata riassuntiva può essere facilmente modificata facendo scorrere verso l'alto o verso il basso le colonne sopra
- **Nota:** se si utilizza un cloratore, è necessario assicurarsi che i tempi di "accensione" della pompa corrispondano ai tempi di "accensione" del cloratore. La pompa rimarrà nell'ultima modalità utilizzata, indipendentemente dalla modalità manuale o di programmazione.



Selezionare per modificare le impostazioni di programmazione



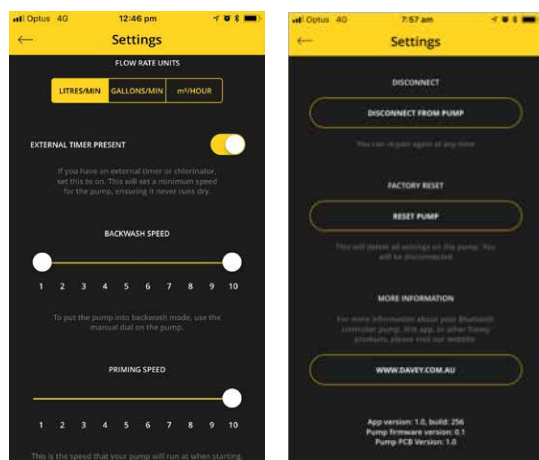
Selezionare se si desidera il ciclo giornaliero o il ciclo settimanale.

Impostazioni

Per modificare le impostazioni di configurazione, fare clic sull'icona delle impostazioni:



questo mostrerà le seguenti schermate (scorrere verso il basso nella schermata per informazioni complete).



Velocità di adescamento/velocità massima

Ogni volta che la pompa si avvia, passerà attraverso 2 minuti di adescamento per garantire che ci sia l'acqua nel sistema. È possibile regolare la velocità con cui esegue questa operazione tra 5 e 10. La velocità

impostata limiterà la velocità massima della pompa in modalità manuale o di programmazione.

Controlavaggio

Può essere impostato come singola velocità o in alternativa impostare due velocità e la velocità della pompa "passerà" tra le due impostazioni. La velocità minima può essere impostata tra 1-10, la velocità massima può essere impostata solo tra 5-10.

Timer esterno presente

Accenderlo e spegnerlo, a seconda che si stia utilizzando un timer esterno / un cloratore.

Funzione di disconnessione

La funzione "disconnessione dalla pompa" può essere utilizzata per:

- Consentire a un altro dispositivo di controllare la pompa
- Disconnettersi in modo da non collegarsi automaticamente alla pompa
- Si prega di notare che la connessione Bluetooth si disconetterà automaticamente dopo un minuto di non comunicazione

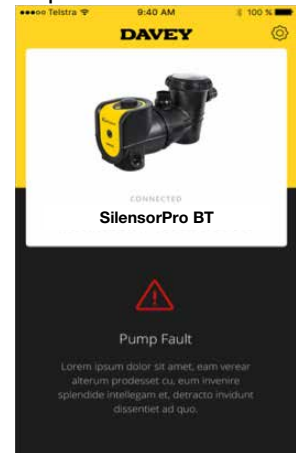
Ripristino alle impostazioni di fabbrica

Ciò ripristinerà la pompa alle configurazioni di fabbrica e consentirà di avviare nuovamente la procedura di configurazione.

- Selezionare "Ripristina pompa"
- Ruotare il selettore verso "off", quindi ruotare il selettore su "Bluetooth"
- È quindi possibile eseguire il riaccoppiamento con il telefono. Questa procedura è presente in modo che la pompa non possa essere ripristinata accidentalmente.

Ricerca guasti della pompa

Nel caso in cui ci sia un guasto, apparirà la seguente schermata, con la descrizione del testo sotto il guasto che indica come porvi rimedio.



Titolo del guasto	Descrizione del guasto
Guasto della pompa - sovracorrente	Controllare che il motore possa ruotare liberamente. Scollegare per 1 minuto e ricollegare per ripristinare. Se il problema persiste, contattare Davey o un agente di riparazione autorizzato.
Guasto alla pompa - sottotensione	Problema alla tensione di alimentazione. Se la corrente torna alla normalità, scollegare la spina per 1 minuto e ricollegarla per ripristinare.
Guasto della pompa - sovratemperatura	La pompa si è surriscaldata. Controllare la temperatura ambiente. Impostare la velocità minima possibile se la temperatura ambiente è troppo elevata.
Guasto della pompa - motore in stallo	Controllare che il motore possa ruotare liberamente. Scollegare per 1 minuto e ricollegare per ripristinare.
Guasto della pompa - sottocarico/mancanza di adescamento	Controllare la presenza di sufficiente acqua all'interno della pompa. Scollegare per 1 minuto e ricollegare per ripristinare. Se il problema persiste, contattare Davey o un agente di riparazione autorizzato.

Guasto della pompa - sovratemperatura del motore; o
 Guasto alla pompa - sovratensione; o
 Guasto alla pompa - guasto messa a terra; o
 Guasto alla pompa - guasto del sistema; o
 Guasto alla pompa - guasto fase di uscita; o
 Guasto alla pompa - sovraccarico alimentazione; o
 Guasto alla pompa - checksum EEPROM; o
 Guasto alla pompa - errore watchdog; o
 Guasto alla pompa - protezione posteriore EFM; o
 Guasto alla pompa - guasto del termistore; o
 Guasto alla pompa - coppia sicura disattivata; o
 Guasto alla pompa - comunicazione bus interna; o
 Guasto alla pompa - errore applicazione; o
 Guasto alla pompa - temperatura IGBT elevata; o
 Guasto alla pompa - guasto ingresso analogico 4 mA; o
 Guasto alla pompa - guasto esterno; o
 Guasto alla pompa - errore di comunicazione del tastierino; o
 Guasto alla pompa - errore di comunicazione bus di campo; o
 Guasto alla pompa - errore interfaccia bus di campo.

Scollegare per 1 minuto e ricollegare per ripristinare. Se il problema persiste, contattare Davey o un agente di riparazione autorizzato.

7. IMPOSTAZIONI AVANZATE DELLA POMPA SP400BT

Panoramica della connessione AUX esterna

La pompa SilensorPRO SP400BT dispone di una presa impermeabile del tipo RJ45 per consentire il controllo esterno della velocità del motore e altre funzionalità. È possibile utilizzare un cavo di rete RJ45 standard (senza avvio).



Figura 7.1: Spina RJ45 installata nell'alloggiamento (vista da dietro)

Si consiglia di mantenere la lunghezza del cavo la più corta possibile tra la pompa e il controller esterno o il riscaldatore della piscina. Ci sono due principali configurazioni dei pin come mostrato di seguito:

PIEDINATURA RJ45

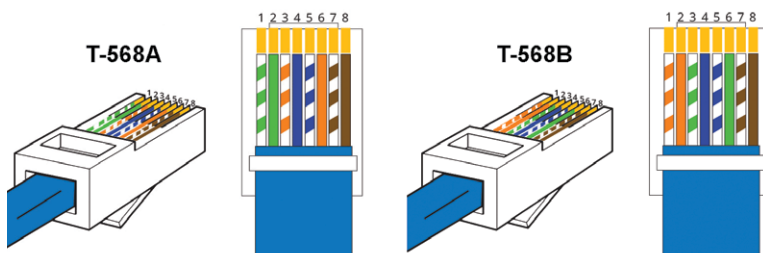


Figura 7.2: Connessioni pin RJ45

Pin	Funzione	T-568A	T-568B
1	RS485 +ve	Verde/Bianco	Arancione/Bianco
2	RS485 -ve	Verde	Arancione
3	Ingresso digitale 3	Arancione/Bianco	Verde/Bianco
4	Ingresso analogico	Blu	Blu
5	Terra 0 V CC	Blu/Bianco	Blu/Bianco
6	Ingresso digitale 2	Arancione	Verde
7	Ingresso digitale 1	Marrone/Bianco	Marrone/Bianco
8	24V	Marrone	Marrone

Verificare che il cavo utilizzato abbia i pin di codifica a colori di cui sopra da 1 fino a 8. Se è stata utilizzata una codifica a colori alternativa, assicurarsi di registrare il colore corrispondente a ciascun pin per evitare errori di connessione al controller o al riscaldatore della piscina. Se si utilizza un cavo alternativo, assicurarsi che l'ingresso analogico e la terra siano un doppino.

La connessione 24 V deve essere utilizzata solo come riferimento per gli ingressi digitali - NON alimentare apparecchiature esterne da questa guida di alimentazione.

Ingressi di controllo digitale

I 3 ingressi digitali consentono di ignorare l'impostazione della velocità di selezione. Per impostare uno di questi ingressi:

- Collegare un'alimentazione 24 V isolata tra la terra CC e il pin di ingresso digitale
- Collegare i contatti commutabili di un relè tra il pin 24 V e l'ingresso digitale

Le velocità fisse (come percentuale della piena velocità) sono:

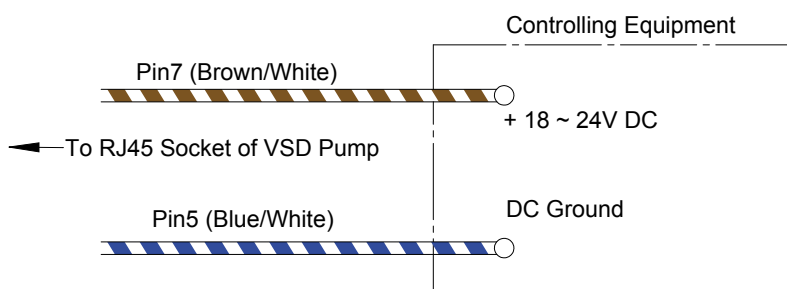
Ingresso 1 (Pin 7)	Ingresso 2 (Pin 6)	Ingresso 3 (Pin 3)	Velocità di uscita
0	0	0	Selettore
0	0	24V	33%
0	24V	0	50%
0	24V	24V	Controlavaggio
24V	0	0	100%
24V	0	24V	67%
24V	24V	0	83%

Interfacciamento dell'apparecchiatura con SilensorPRO SP400BT

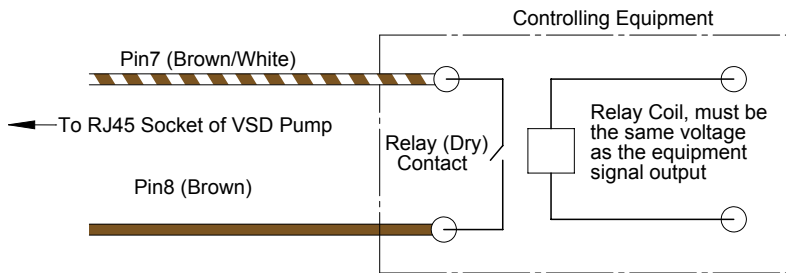


AVVERTENZA! Per eseguire il lavoro illustrato di seguito è necessario un elettricista qualificato.

La pompa SilensorPRO SP400BT può essere controllata da altre apparecchiature per accenderla ad alta velocità (o qualsiasi altra velocità preimpostata, vedere la sezione 8 per i dettagli). Questo al fine di ottenere la massima efficienza, ad esempio quando si utilizza un riscaldatore a gas o una pompa di calore. Se l'apparecchiatura ha un'uscita di segnale 18-24 V CC isolata, collegare semplicemente il pin 7 a 24 V CC positivo e il pin 5 alla terra CC come illustrato nello schema seguente:



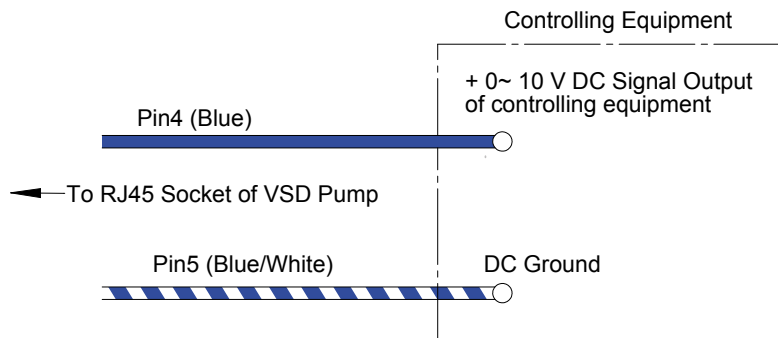
Se l'apparecchiatura di controllo non ha un'uscita di tensione di 18-24 V CC come sopra, ma dispone di un'uscita di segnale a 24 V CA, 230 V CA, 12 CA o 12 CC, un relè adeguato (la tensione della bobina deve essere uguale alla tensione di uscita del segnale dell'apparecchiatura di controllo) può essere impiegato a tale scopo come menzionato sopra, e mostrato nel seguente schema:



Se l'apparecchiatura di controllo ha già l'uscita relè (contatto secco) per il controllo, non è necessario un relè aggiuntivo, basta collegare il pin 7 (marrone/bianco) e il pin 8 (marrone) ai contatti secchi come mostrato nella parte sinistra dello schema di sopra.

Ingressi di controllo analogico

Il controllo della velocità può essere ottenuto anche collegando un segnale 0-10 V CC all'ingresso sul pin 4 (massa in corrispondenza del pin 5). Non appena viene registrato un segnale superiore a 0V, questo ingresso avrà la priorità sulle impostazioni di selezione. Ad esempio, un segnale da 10 V CC cambierà la velocità della pompa al 100%, mentre un segnale da 5 V CC cambierà la velocità della pompa al 50% ecc.



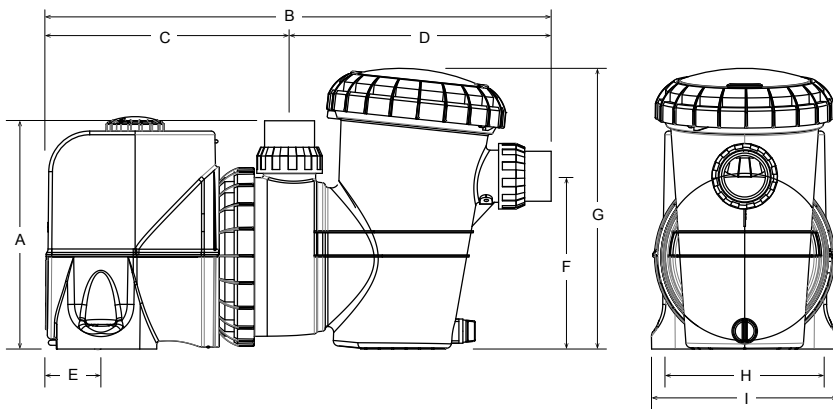
8. SPECIFICHE TECNICHE

Modello	SP200BT	SP400BT
Testa max (m)	20	26
GIRI/MIN	Velocità 1 – 10: 1500 – 3600	Velocità 1 – 10: 1.050 – 3.100
	Velocità di controlavaggio: variabile	
Classe involucro (IP)	45	
Classe di isolamento	F	
Tensione (V)	220 – 240VAC	
Frequenza di alimentazione (Hz)	50/60 Hz	
Massima potenza in ingresso: (W)	Velocità 1: 128	Velocità 1: 126
	Velocità 5: 524	Velocità 5: 728
	Velocità 10: 1.111	Velocità 10: 1.639
	Velocità di controlavaggio: variabile	

Limiti di funzionamento

Temperatura max acqua:	40°C	40°C
Temperatura ambiente max:	50°C	50°C

Dimensioni



A	B	C	D	E	F	G	H	I	Diametro fori di montaggio	Ingresso/ Uscita PVC	Peso netto (kg)
305mm	670mm	320mm	350mm	65mm	230mm	380mm	200mm	250mm	10mm	50/63	14

9. USARE LA POMPA SILENSORPRO CON UN CLORATORE DI ACQUA SALATA

I cloratori richiedono una portata minima attraverso la cella del cloratore per la massima efficienza e durata della cella. Consultare la guida del proprio cloratore come riferimento per la portata richiesta dal proprio sistema per piscina. Assicurarsi che la portata sia sufficiente per coprire completamente le piastre della cella del cloratore in ogni momento del funzionamento.

10. FUNZIONAMENTO DEL PULITORE PER PISCINE AD ASPIRAZIONE

Prima di installare o acquistare un pulitore per piscine da utilizzare con la pompa SilensorPRO, è importante conoscere le portate minime richieste per un funzionamento efficace.

Per il funzionamento di un pulitore per piscine ad aspirazione:

- Attivare l'impostazione Flusso Alto (10) e consentire alla pompa di adescarsi al massimo facendola funzionare per circa 2 minuti. Vi accorgete che la pompa è adescata quando è possibile vedere un forte flusso d'acqua attraverso il coperchio trasparente del cestello delle foglie
- Quando tutta l'aria viene espulsa dal cestello delle foglie, collegare saldamente il tubo del pulitore della piscina alla piastra del separatore o all'aspirazione a parete dedicata
- Selezionare l'impostazione della velocità che consente di ottenere le migliori prestazioni dal pulitore per piscina di aspirazione. La velocità da 3 a 7 dovrebbe essere sufficiente per la maggior parte dei pulitori, tuttavia se il pulitore richiede prestazioni migliori, selezionare la velocità da 7 a 10
- Il pulitore deve essere collegato solo per il tempo necessario a pulire la superficie della piscina. Al termine della pulizia, scollegare il pulitore e rimuovere la piastra del separatore dalla scatola del separatore
- Riattivare la velocità più efficiente per la filtrazione giornaliera. Si consiglia la velocità da 1 a 4



NOTA: Per ottenere l'efficienza energetica ottimale dal SilensorPRO, NON tenere collegato il pulitore della piscina di aspirazione quando non è necessaria la pulizia.



NOTA: Se la pompa SilensorPRO è collegata a un orologio in tempo reale o ad un altro controllo automatico, il cablaggio deve essere rimosso da un tecnico qualificato.

- Chiudere le valvole dell'acqua sul tubo di ritorno della piscina e le tubazioni di ingresso della pompa SilensorPRO
- Rimuovere le valvole a sfera di scarico e di aspirazione facendo attenzione di non perdere gli o-ring
- Spostare le tubazioni con le valvole a sfera attaccate fino a quando la pompa SilensorPRO possa essere tirata in modo libero



NOTA: Quando si inviano richieste relative alla pompa SilensorPRO, assicurarsi di citare il numero del modello riportato sulla targhetta situata sul motore.

11. RISOLUZIONE DEI PROBLEMI

Se la pompa funziona ma non c'è flusso d'acqua o il flusso dell'acqua è ridotto, si può verificare la seguente condizione:

- Il filtro richiede il controlavaggio o è ostruito. Fare riferimento alla sezione pertinente nel manuale del filtro
- La pompa non è adescata. Ri-adesca come da istruzioni in 'Avvio della pompa'
- Sono presenti perdite d'aria nelle tubazioni di aspirazione. Controllare tutte le tubazioni ed eliminare le perdite, controllare anche se il coperchio del cestello del filtro è allentato. Le bolle d'aria nell'acqua che scorre verso la piscina indicherebbero una perdita nell'aspirazione verso la pompa permettendo all'aria di entrare nelle tubazioni
- Una guarnizione dell'albero della pompa che perde potrebbe anche impedirne il funzionamento. Un'ulteriore prova di ciò può essere la presenza di acqua a terra sotto la pompa
- La pompa non è in grado di prelevare acqua dalla piscina. Verificare che le valvole della pompa siano completamente aperte e che il livello dell'acqua della piscina sia all'altezza della scatola del separatore. Solitamente, è sufficiente che la scatola del separatore sporga per metà
- Ostruzione nelle tubazioni o nella pompa. Rimuovere il cestello del filtro e verificare la presenza di eventuali ostruzioni all'ingresso della girante della pompa. Controllare che la scatola del separatore non sia ostruita

Se la pompa non funziona, si possono verificare le seguenti condizioni:

- L'alimentazione non è collegata. Solo per 220-240 volt, controllare il punto di alimentazione collegando un apparecchio portatile per assicurarsi che l'alimentazione sia disponibile. Controllare anche i fusibili e l'interruttore di alimentazione principale
- Il sovraccarico automatico è scattato. La pompa ha un sovraccarico termico incorporato che si ripristina automaticamente dopo che il motore si è raffreddato dopo un periodo di surriscaldamento. Determinare la causa dell'intervento di sovraccarico e correggere. Ripristinare la pompa spegnendo l'alimentazione per 30 secondi
- L'ostruzione impedisce alla pompa di ruotare

12. RIMOZIONE DELLA POMPA SILENSORPRO DALLE TUBAZIONI

Se fosse necessario rimuovere la pompa SilensorPRO, seguire le seguenti istruzioni:

- Spegner l'alimentazione e rimuovere la spina dalla fonte di alimentazione
- Svitare il raccordo nella parte anteriore e superiore della pompa, sganciando la pompa dalle tubazioni
- Far scivolare la pompa fuori posizione

13. QUALITÀ DELL'ACQUA

CHIMICA CONSIGLIATA DELL'ACQUA DELLA PISCINA

BILANCIAMENTO DELL'ACQUA DELLA PISCINA	Cloro libero (ppm)	pH	Alcalinità totale TA (ppm)	Durezza del calcio (ppm)	Stabilizzante - acido cianurico (ppm)
Lettura/intervallo ideale	1 – 3	Piscine piastrelate e in calcestruzzo: 7,4-7,6 Altre superfici: 7,2-7,4	Piscine piastrelate e in calcestruzzo – 80-120. Altre superfici – 125-150	Piscine piastrelate e in calcestruzzo – 200-275. Altre superfici – 100-225	25 – 50
Per aumentare	Aumentare la potenza del cloratore. Aggiungere cloro. Aumentare il tempo di filtrazione.	Aggiungi carbonato di sodio	Aggiungere bicarbonato di sodio	Aggiungere cloruro di calcio	Aggiungere acido cianurico
Per diminuire		Aggiungere acido muriatico	Aggiungere acido muriatico o acido secco	Svuotare parzialmente e riempire nuovamente la piscina con acqua di durezza inferiore per diluire	Svuotare parzialmente e riempire nuovamente la piscina per diluire
Frequenza del test	Ogni settimana	Ogni settimana	Ogni settimana	Ogni settimana	Regolarmente



Attività di manutenzione ordinaria - Per massimizzare la durata della SilensorPRO e per la sicurezza personale, utilizzare questa lista di controllo una volta alla settimana. Assicurarsi che la pompa sia spenta prima di iniziare e che sia stata rimossa dall'alimentazione elettrica:

- a. Assicurarsi che tutti i manometri siano funzionanti e che la pressione operativa sia entro i limiti specificati sul prodotto.
- b. Assicurarsi che ciascun ingresso di aspirazione e lo scarico principale siano dotati di un coperchio saldamente fissato e in condizioni di funzionamento sicuro.
- c. Assicurarsi che tutti i coperchi del separatore siano fissati saldamente e in condizioni di funzionamento sicuro. Questi dovrebbero essere sostituiti ogni 3 o 4 anni.
- d. Rimuovere eventuali ostruzioni o detriti dal coperchio dello scarico principale.
- e. Accertarsi che i cestelli del separatore e i filtri dei capelli e lanugine della pompa siano privi di foglie e detriti almeno una volta alla settimana.
- f. Rimuovere ostruzioni e combustibili attorno al motore della pompa.
- g. Assicurarsi che tutti i collegamenti dei cablaggi siano puliti e che tutti i cablaggi e le apparecchiature elettriche siano in buone condizioni. Il cablaggio danneggiato deve essere riparato o sostituito da un elettricista qualificato non appena viene rilevato un danno.
- h. Controllare i livelli di equilibrio idrico e dell'igienizzante presso il proprio punto di vendita locale.



I COLLEGAMENTI ELETTRICI E I CABLAGGI DEVONO ESSERE EFFETTUATI DA UN ELETTRICISTA AUTORIZZATO.



PERICOLO Aspirazione pericolosa. Non bloccare l'ingresso di acqua nel sistema di filtrazione con nessuna parte del corpo in quanto la pressione può intrappolare i capelli o parti del corpo, causando lesioni gravi o morte. Non bloccare l'aspirazione. Spegnere immediatamente la pompa se qualcuno rimane intrappolato. Non utilizzare o far funzionare piscine, spa o bagni termali se un coperchio di aspirazione è rotto, mancante o allentato. Per evitare l'intrappolamento per effetto dell'aspirazione, devono essere previsti due coperchi di aspirazione e ingressi in ogni pompa.



Conformemente alla norma AS/NZS60335.2.41 siamo tenuti a informarvi che questo dispositivo non deve essere usato da bambini o persone inferme e non deve essere usato come un giocattolo dai bambini.



ATTENZIONE! Non aggiungere prodotti chimici direttamente al separatore della piscina. L'aggiunta di sostanze chimiche non diluite può danneggiare la pompa e il filtro e invalidare la garanzia.



ATTENZIONE! Assicurarsi che la pompa sia installata in un luogo che impedisca l'esposizione a temperature di congelamento.

Garanzia Davey

Davey Water Products fornisce garanzie che non possono essere escluse dalla legge locale. Avete diritto a una sostituzione o al rimborso in caso di guasto grave e al risarcimento di qualsiasi altra perdita o danno ragionevolmente prevedibile. Avete inoltre diritto a far riparare o sostituire il prodotto qualora non fosse di qualità accettabile e il guasto non costituisse un guasto grave.

Davey Water Products Pty Ltd (Davey) con sede a 6 Lakeview Drive Scoresby VIC 3179 fornisce la seguente garanzia in relazione a questo prodotto. Fatte salve le esclusioni e le limitazioni di seguito, Davey assicura che il prodotto sia privo di difetti di materiale e lavorazione per un periodo di 24 mesi dalla data di acquisto (periodo di garanzia).

In presenza di un difetto nel prodotto prima del termine del periodo di garanzia, e qualora Davey ritenesse il prodotto difettoso per quanto riguarda i materiali o la lavorazione, a sua esclusiva discrezione Davey potrà:

1. sostituire o riparare gratuitamente il prodotto o la parte difettosa del prodotto; o
2. disporre la riparazione o la sostituzione del prodotto o della parte difettosa da parte di un riparatore qualificato, a titolo gratuito.

Davey si riserva il diritto di sostituire parti difettose del prodotto con parti o componenti di qualità, grado e composizione simili qualora non fossero disponibili parti o componenti identici. I prodotti presentati per la riparazione possono essere sostituiti da prodotti ricondizionati dello stesso tipo piuttosto che essere riparati.

Richieste in garanzia:

1. In caso di guasto coperto dalla garanzia, Davey suggerisce, in prima istanza, di contattare il rivenditore Davey dal quale è stato acquistato il prodotto. In alternativa, è possibile: telefonare alla linea di assistenza clienti Davey al numero 1300 367 866 in Australia o 0800 654 333 in Nuova Zelanda; inviare una lettera scritta all'indirizzo Davey sopra elencato; oppure inviare un'e-mail all'indirizzo sales@davey.com.au.
2. Qualsiasi reclamo in garanzia deve essere accompagnato dalla prova di acquisto e dai dettagli del presunto difetto.
3. Alla ricezione del reclamo, Davey cercherà di risolvere il problema e, se il prodotto è difettoso o malfunzionante, consiglierà come procedere per la riparazione, ottenere una sostituzione o un rimborso.
4. Questa garanzia è limitata ai difetti dei materiali o di lavorazione del prodotto e non copre le parti soggette a consumo o la sostituzione di parti a seguito di usura e rottura.

Esclusioni:

La garanzia non si applica nei casi in cui:

1. Il Prodotto sia stato modificato, riparato o sottoposto a manutenzione da una persona diversa da Davey o da un riparatore autorizzato.
2. Davey non sia in grado di riscontrare alcun difetto nel prodotto dopo il collaudo.
3. Il prodotto sia stato utilizzato per finalità diverse da quelle per cui è stato progettato.
4. Il prodotto sia stato esposto a condizioni anomale, sia in termini di temperatura, acqua, umidità, pressione, sollecitazioni o simili.
5. L'acquirente abbia utilizzato o montato parti e accessori non originali o non approvati.
6. Il difetto del Prodotto sia sorto a seguito di abuso, uso improprio, negligenza o incidente.
7. Il difetto del Prodotto sia sorto a seguito di una conservazione o un utilizzo del Prodotto non corretti da parte dell'acquirente.
8. Il danno sia stato causato dall'uso di prodotti chimici e detersivi non approvati da Davey.

Se il prodotto Davey richiede riparazioni o manutenzione una volta decorso il periodo di garanzia, contattare il rivenditore Davey più vicino, oppure telefonare o inviare un'e-mail al centro di assistenza clienti Davey. Per un elenco completo dei rivenditori Davey, visitare il nostro sito Web.

DAVEY

Davey Water Products Pty Ltd
Member of the GUD Group
ABN 18 066 327 517

daveywater.com

AUSTRALIA

Ufficio principale

6 Lakeview Drive,
Scoresby, Australia 3179
Ph: 1300 232 839
Fax: 1300 369 119
Email: sales@davey.com.au

NUOVA ZELANDA

7 Rockridge Avenue,
Penrose, Auckland 1061
Ph: 0800 654 333
Fax: 0800 654 334
Email: sales@dwp.co.nz

EUROPA

7 rue Eugène Hénaff 69200
Vénissieux, France
Ph: +33 (0) 4 72 13 95 07
Fax: +33 (0) 4 72 33 64 57
Email: info@daveyeurope.eu

NORD AMERICA

Ph: 1-888-755-8654
Email: info@daveyusa.com

MEDIO ORIENTE

Ph: +971 50 6368764
Fax: +971 6 5730472
Email: info@daveyuae.com

DAVEY

SILENSOR[®]PRO
by **DAVEY**

SilensorPRO SP200BT & SP400BT Zwembadpomp

Installatie- en gebruiksinstructies

50/60Hz



SP200BT

SP400BT



Kijk op de Davey website in uw regio zoals vermeld op de achterkant van dit document voor updates van de productinformatie.

Geef deze instructies aan de persoon die met de uitrusting werkt.

Gefeliciteerd met de aankoop van een uw kwaliteitsproduct, SilensorPro SP200BT of SilensorPro SP400BT pom. Alle productelementen zijn ontworpen en vervaardigd voor probleemloze, betrouwbare werking.

Inhoudsopgave:

1.	INSTALLATIE VAN DE DAVEY POMPP MET VARIABELE SNELHEID	
	Elektrische aansluitingen	67
	Aansluiting van de slangen	68
2.	TYPISCH INSTALLATIESCHEMA	69
3.	PRESTATIESPECIFICATIES	69
	3.1 SP200BT hydraulische prestatie	69
	3.2 SP200BT elektrische specificaties	70
	3.3 SP400BT hydraulische prestatie	70
	3.4 SP400BT elektrische specificaties	70
4.	GEBRUIKSHANDLEIDING	71
	Energie besparen met uw SilensorPRO	71
	Pre-start-up checklist	71
	Lage energiewerking	72
	Richtlijnen voor aanbevolen pompwerkingsuren	72
	Legen van het zeefmandje	73
	Routine-onderhoud	73
5.	KENMERKEN & FUNCTIES	74
	Meerkleurige led verklikkerlampje	74
	Backwash Speed Cycling Technology	74
	Volledig variabele frequentieaandrijving met gebruiksvriendelijke snelheidskeuze	74
	Grote 4,5 liter pompmand	74
	Gepatenteerd water gekoeld design voor vlotte en stille werking	74
	SP400BT constante flow/snelheidscompensatie	74
	SP400BT weerbestendige RJ45 communicatiepoort (zie pagina 7 voor aansluitingsinformatie)	74
6.	BLUETOOTH FUNCTIE	75
	Bluetooth app set-up	75
	Koppelen van een apparaat aan de pomp	75
	Externe timer/chlorinator	75
	Geprogrammeerde modus	75
	Instellen van een programma	76
	Instellingen	76
	Priming snelheid/Max snelheid	76
	Backwash	77
	External Timer Present	77
	Loskoppelen functie	77
	“Factory Reset” (reset fabrieksinstellingen)	77
	Pomp defecten zoeken	77
7.	GEAVANCEERDE SETUP VAN DE SP400BT	78
	Externe AUX aansluitingen overzicht	78
	Digitale controle input	79
	Interfacing uitrusting bij de SilensorPRO SP400BT	79
	Analoge controle input	80
8.	TECHNISCHE SPECIFICATIES	80
9.	GEBRUIK VAN UW SILENSORPRO MET ZOUT WATER CHLOREERDER	81
10.	GEBRUIK VAN UW ZUIGREINIGER VOOR ZWEMBAD	81
11.	PROBLEEMOPLOSSING:	82
12.	DE POMP VAN DE SLANGEN AFKOPPELEN	82
13.	WATERKWALITEIT	82
14.	DAVEY GARANTIE	84

1. INSTALLATIE VAN DE DAVEY POMP MET VARIABELE SNELHEID

De SilensorPRO moet zo dicht mogelijk bij het water worden geplaatst en gemonteerd worden op een stevige basis op een goed gedraineerde plaats die hoog genoeg is om overstroming te voorkomen. Het is de verantwoordelijkheid van de installateur/eigenaar om de pomp zodanig te plaatsen dat het naamplaatje goed leesbaar is en de SilensorPRO goed toegankelijk is voor onderhoud. Wij raden u aan de SilensorPRO tegen weersomstandigheden te beschermen. Behuizingen of overkappingen moeten goed geventileerd worden om condens te voorkomen.



Niet-naleving van deze instructies en alle toepasselijke codes kan ernstig lichamelijk letsel en/of materiële schade veroorzaken.

Deze pomp vereist professionele kennis van installatie en onderhoud. De installatie van dit product moet daarom worden uitgevoerd door een persoon die ervaring heeft met de loodgietersvereisten van zwembaden en die de instructies in deze handleiding correct volgt.

Elektrische aansluitingen



BELANGRIJKE INFORMATIE Uw SilensorPRO is dubbel geïsoleerd op het watercircuit. Als een potentiaalvereffeningsstructuur is vereist, wordt een potentiaalvereffeningpunt voorzien. (Zie uw plaatselijke wet- en/of regelgeving voor AS/NZ/3000 equivalente bedradingsnormen).

LET OP! Uit veiligheidsoverwegingen adviseren wij alle merken en types zwembadpompen te (laten) installeren conform AS/NZS 3000 richtlijn of volgens plaatselijke regelgeving inzake bedrading of equivalente normen. Alle elektrische installatiewerkzaamheden moeten worden uitgevoerd door een gekwalificeerde elektricien. Davey raadt aan alle installaties te voorzien van een aardlekschakelaar of residuele stroombeveiligingsvoorzieningen. Nominale bedrijfsstroom mag niet meer zijn van 30mA.

WAARSCHUWING! Zorg dat er een elektrische isolatieschakelaar geplaatst wordt die gemakkelijk toegankelijk is zodat de pomp in een noodgeval uitgeschakeld kan worden. "De voeding moet voorzien zijn van een overstroombeveiliging voordat deze op het apparaat wordt aangesloten.

Koppel het apparaat altijd los van de voeding alvorens het te monteren, te demonteren of schoon te maken."

F	NFC C 15-100	GB	BS7671:1992
D	DIN VDE 0100-702	EW	EVHS-HD 384-7-702
A	OVE 8001-4-702	H	MSZ 2364-702:1994/MSZ 10-533 1/1990
E	UNE 20460-7-702 1993, REBT ITC-BT-31 2002	M	MSA HD 384-7-702.S2
IRL	IS HD 384-7-702	PL	PN-IEC 60364-7-702: 1999
I	CEI 64-8/7	CZ	CSN 33 2000 7-702
LUX	384-7.702 S2	SK	STN 33 2000-7-702
NL	NEN 1010-7.702	SLO	SIST HD 384-7-702.S2

Davey SilensorPro is geschikt voor aansluiting op een nominale 240 - 240 volt 50/60Hz vermogensbron en is voorzien van een flexkabel. Als er geen stopcontact aanwezig is binnen 3 meter van de pomp, kan een 3-pin voedingspunt worden voorzien door een elektricien op een droge, veilige plaats. Verlengsnoeren zijn onveilig rond zwembaden en moeten vermeden worden. Als het snoer van de SilensorPRO beschadigd is, moet het vervangen worden door doro originele Davey-onderdelen door Davey of een erkende dealer.

Deze SilensorPro is voorzien van een motor overbelastingdetectie die ontworpen is om de motor te beschermen tegen oververhitting. Als de motor te warm wordt tijdens werking, wordt de werkingssnelheid verminderd totdat een acceptabele werkingstemperatuur is bereikt. Daarna wordt de ingestelde snelheid hersteld.

Om de motor te resetten, schakelt u het apparaat 30 seconden uit en vervolgens weer in via de hoofdschakelaar.

Aansluiting van de slangen

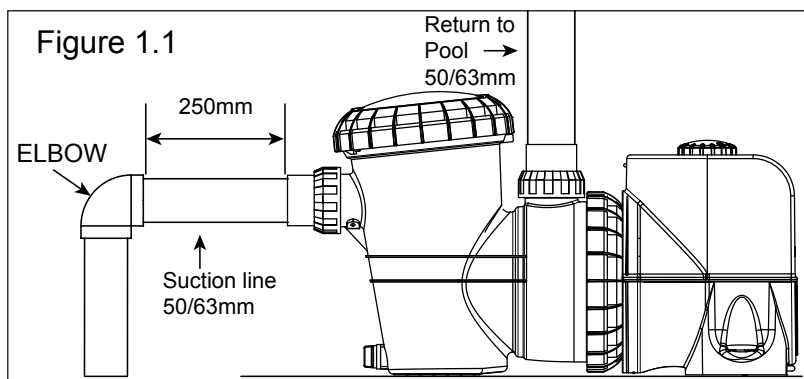
De pijpkoppelingen zijn bedoeld voor aansluiting van de slangen op het zwembad. De pompen zijn ontworpen voor 50/63 mm pvc koppelingen.



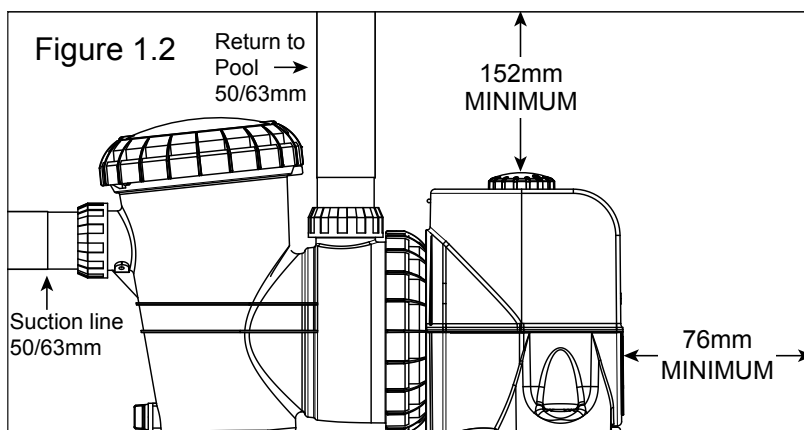
BELANGRIJKE INFORMATIE Als de SilensorPRO Als en het filter zich onder het zwembadwaterniveau bevinden, moeten isolerende kleppen geplaatst worden in de slang tussen de pomp en de skimmer box en in de retourslang van het filter naar het zwembad. Zorg er bij het aansluiten van de afvoerslang voor dat de slang de snelheidskeuzeknop van de pomp niet hindert. De pijpkoppelingen moeten met de hand vast gedraaid worden. Er is geen afsluitmiddel, lijm of siliconen nodig.

De koppelingen van de SilensorPRO zijn vervaardigd uit ABS. Bepaalde PCV pakkingcomponenten zijn compatibel met ABS. Controleer vóór gebruik de geschiktheid van de componenten.

Gebruik van slangen die kleiner zijn dan de hierboven vermelde formaten, wordt afgeraden. Afzuigslangen mogen geen luchtlekken, bobbelen en knikken bevatten die problemen bij het afzuigen kunnen veroorzaken. Voor optimale efficiëntie moet de SilensorPRO zo geïnstalleerd worden dat turbulentie in het water zo veel mogelijk wordt beperkt. Zoals weergegeven op afbeelding 1.1 moet u geen hoek van 90° installeren op minder dan 250 mm van de koppeling. Als er isolatiekleppen worden gebruikt op uitrustingen onder het waterniveau, moeten deze op minstens 250 mm van de inletkoppeling worden geïnstalleerd. Dit draagt bij aan de laminaire stroming.



De afvoerslang van de SilensorPRO outlet moet aangesloten worden op de inleetaanluiting op het zwembadfilter (normaal bij het filtercontroleventiel). Zoals weergegeven op afbeelding 1.2 moet er voldoende ruimte zijn boven de pomp zodat het snelheidskeuzepaneel van de SilensorPRO goed te bedienen is. Gebruik een terugslagventiel op de afvoerleiding als de pomp wordt gebruikt voor toepassingen met aanzienlijk hoogteverschil naar de leidingen achter de pomp.

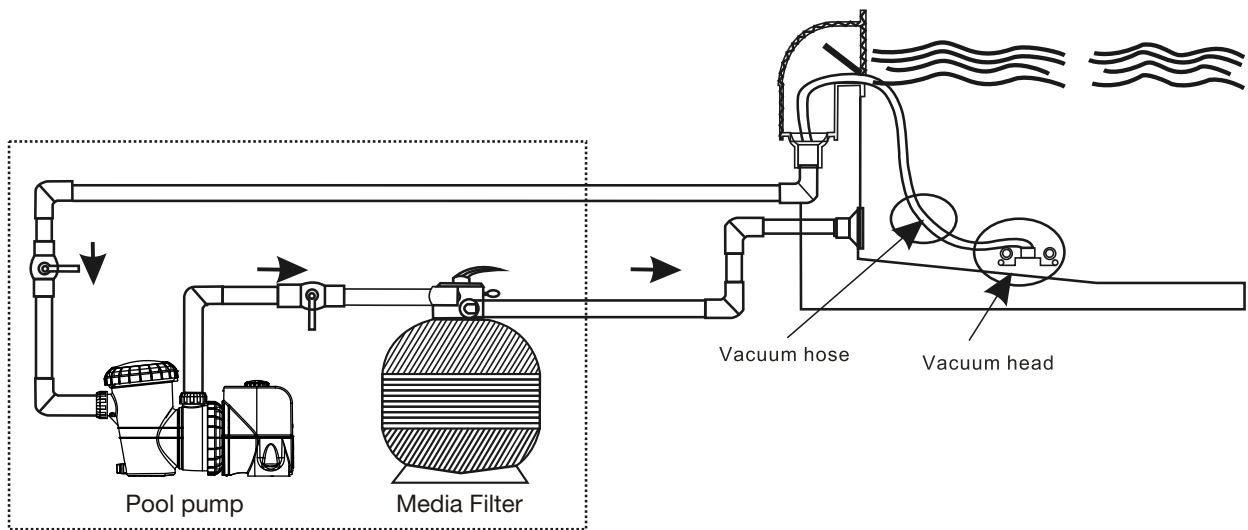


Installeer altijd terugslagventielen als er gekoppeld wordt aan een andere pomp. Dit helpt reverse rotatie van de propeller en de motor voorkomen.



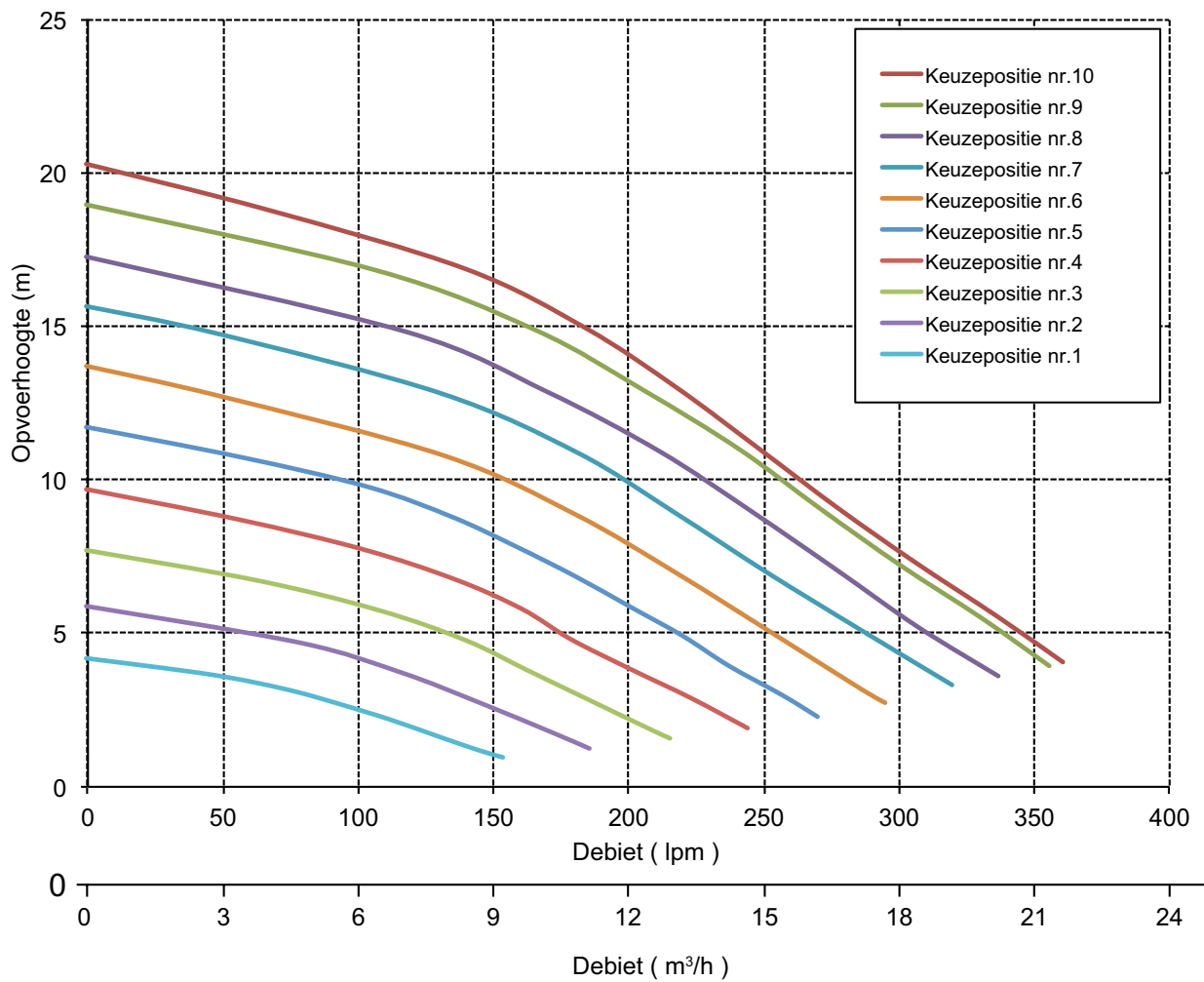
WAARSCHUWING! Pompzuiging is gevaarlijk en kan leiden tot beknelling, verdrinking of letsel aan de ingewanden van zwemmers. Blokkeer de afzuiging niet. Gebruik geen zwembaden, spa's of spabaden als een zuigerafsluiting kapot is, ontbreekt of los zit. Er moeten bij elke pomp twee zuigerafsluitingen en ingangen verstrekt worden om beknelling in de zuiger te voorkomen.

2. TYPISCH INSTALLATIESCHEMA



3. PRESTATIESPECIFICATIES

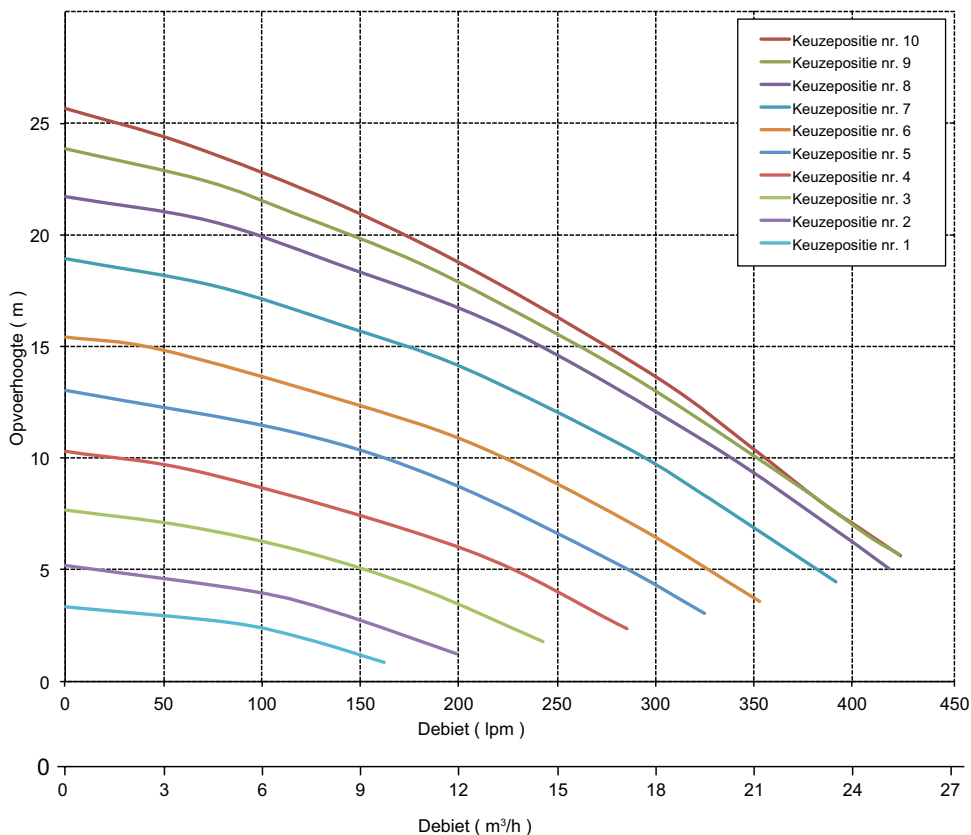
SP200BT hydraulische prestatie



SP200BT elektrische specificaties

Snelheid Instelling	Beste efficiëntiepunt							Maximaal						
	Debiet		Hoofd	Ingangsvermogen (P ₁)		Uitgangsvermogen (P ₂)		Debiet		Hoofd	Ingangsvermogen (P ₁)		Uitgangsvermogen (P ₂)	
	L/min	m ³ /h		hp	W	hp	W	L/min	m ³ /h		hp	W	hp	W
Kies 1	85	5.1	3	0.16	123	0.11	86	155	9.3	4	0.17	128	0.12	90
Kies 2	100	6.0	4	0.26	193	0.18	135	187	11.2	6	0.28	207	0.19	145
Kies 3	125	7.5	5	0.38	283	0.26	198	217	13.0	7	0.39	293	0.27	205
Kies 4	143	8.6	6	0.51	383	0.36	268	246	14.8	10	0.53	398	0.37	279
Kies 5	155	9.3	8	0.66	495	0.46	347	272	16.3	12	0.70	524	0.49	367
Kies 6	160	9.6	10	0.82	612	0.57	428	297	17.8	14	0.87	655	0.61	459
Kies 7	183	11.0	11	1.02	766	0.71	536	322	19.3	16	1.08	807	0.75	565
Kies 8	195	11.7	12	1.17	880	0.82	616	339	20.3	17	1.25	936	0.87	655
Kies 9	207	12.4	13	1.36	1,017	0.95	712	358	21.5	19	1.44	1,078	1.01	755
Kies 10	210	12.6	14	1.45	1,090	1.02	763	363	21.8	20	1.48	1,111	1.04	778

SP400BT hydraulische prestatie



SP400BT elektrische specificaties

Snelheid Instelling	Beste efficiëntiepunt							Maximaal						
	Debiet		Hoofd	Ingangsvermogen (P ₁)		Uitgangsvermogen (P ₂)		Debiet		Hoofd	Ingangsvermogen (P ₁)		Uitgangsvermogen (P ₂)	
	L/min	m ³ /h		hp	W	hp	W	L/min	m ³ /h		hp	W	hp	W
Kies 1	98	5.9	2	0.16	117	0.11	82	160	9.6	3	0.17	126	0.12	88
Kies 2	112	6.7	4	0.26	192	0.18	134	197	11.8	5	0.28	210	0.20	147
Kies 3	140	8.4	5	0.42	316	0.29	221	240	14.4	8	0.46	347	0.32	243
Kies 4	165	9.9	7	0.62	468	0.44	328	282	16.9	10	0.70	522	0.49	366
Kies 5	190	11.4	9	0.88	660	0.62	462	322	19.3	13	0.97	728	0.68	509
Kies 6	200	12.0	11	1.09	817	0.76	572	349	21.0	15	1.22	912	0.85	638
Kies 7	225	13.5	13	1.44	1,080	1.01	756	388	23.3	19	1.61	1,211	1.13	848
Kies 8	240	14.4	15	1.77	1,330	1.24	931	414	24.9	22	1.97	1,478	1.38	1,034
Kies 9	250	15.0	16	1.99	1,495	1.40	1,047	420	25.2	24	2.18	1,636	1.53	1,145
Kies 10	260	15.6	16	2.16	1,620	1.51	1,134	420	25.2	26	2.19	1,639	1.53	1,147

4. GEBRUIKERSHANDLEIDING

Deze SilensorPRO is voorzien van Bluetooth, u kunt de pompfuncties dus instellen en bedienen vanaf uw smart apparaat. Bluetooth is een draadloos communicatieprotocol dat communicatie tussen apparaten mogelijk maakt. Deze functie wordt ondersteund door alle apparaten die een app kunnen downloaden van iOS of Android App Store.

Lees deze instructies volledig voordat u de pomp inschakelt. Als u twijfelt over een deel van de installatie- en gebruiksinstructies, kunt u contact opnemen met Davey via de informatie zoals vermeld wordt op de achterkant van dit document.

Elke SilensorPro ondergaat een watertest op een aantal flow-, druk-, voltage-, stroom- en mechanische prestatieparameters. De geavanceerde pompvervaardigingstechnologie van Davey biedt een betrouwbare en efficiënte pompprestatie met een lange levensduur.

Energie besparen met uw SilensorPRO

De Davey pomp met variabele snelheid is een uiterst efficiënte pomp die gebruik maakt van een vernuftige, ultramoderne variabele AC motor die weinig lawaai maakt, weinig werkingskosten met zich meebrengt en minder broeikasgassen uitstoot dan een traditionele pomp.

Omdat de pomp aan lagere snelheden dan een traditionele pomp kan draaien, slijt uw pomp mechanisch ook minder snel aangezien de interne elementen minder zwaar worden belast. Energiebesparend pompen is heel eenvoudig. Laat de filterpomp langer werken op een lage snelheid dan een conventionele vaste pompsnelheid om uw zwembadwater "om te draaien" voor correcte filtering en hygiëne. Dit resulteert in een lager energieverbruik en tot 70% lagere werkingskosten.

De SilensorPRO heeft instelbare snelheden dus u kunt de doorstroomsnelheid van het zwembad of spawater variëren. De snelheid kan worden aangepast aan de zuigreiniger van het zwembad, het in-floor reinigingssysteem en zwembadverwarming. Er kan een backwash instelling worden gekozen om een mediafilter te backwashen.

Wat kunt u verwachten van SilensorPRO (energie efficiënte werking) in uw zwembad:

- Als uw SilensorPro pomp een traditionele AC motor pomp vervangt, moet u deze langer laten draaien dan uw oude pomp die op een vaste snelheid draaide. Dit is NORMAAL en u bespaart energie als u de lagere snelheidsinstelling gebruikt
- U zult ook zien dat de drukmeter op uw filter een veel lagere druk aangeeft dan u gewend bent. Dit is ook NORMAAL. De lagere systeemdruk is het resultaat van de lagere snelheid en flow rate die de pomp produceert.
- Bij werking bij lagere snelheidsinstellingen zult u merken dat de pomp veel minder lawaai maakt. Dit is een groot voordeel want u kunt uw pomp laten draaien tijdens daluren waardoor u kosten kunt besparen. En uw burens zullen hier ook heel blij mee zijn.

Veel zwembadproducten zijn gebaseerd op minimale flow rates voor optimale werking en/of efficiëntie. Als u low flow instellingen gebruikt op uw SilensorPro (bijv. snelheid van 1 tot 4), raadt Davey aan om de compatibiliteit van de snelheid of minimale flow rate die vereist is voor bepaalde zwembaduitrustingen, te controleren.

- Zuigreiniger zwembad;
- Ozongeneratoren;
- Verwarmingssystemen;
- Zout water chloreringcellen;
- In de bodem ingebouwd zwembad reinigingssystemen;

Pre-start-up checklist

- De gekozen snelheidsinstelling is een instelling die compatibel is met andere zwembaduitrustingen;
- De pomp is in een veilige en droge omgeving geïnstalleerd;
- De pompbehuizing is voorzien van correcte drainering in geval van een lek;
- Alle transportpluggen zijn verwijderd;
- De slangen zijn correct afgedicht en ondersteund;
- De pomp heeft correct aangezogen;
- De stroomtoevoer is correct aangesloten;
- Alle stappen voor veilige werking zijn uitgevoerd;
- Het filter is aangesloten op een slang van 50/63mm;
- De (App) programmeerinstelling komt overeen met andere tijden in het systeem.

Lage energiewerking

Uw SilensorPro SP200BT heeft snelheidsinstellingen van 1,500 tot 3,600rpm. Uw SilensorPro SP400BT heeft snelheidsinstellingen van 1,050 tot 3,100rpm: Snelheid 1 is de laagste snelheid en snelheid 10 is de snelste.

- Snelheid 1 is de laagste snelheid en biedt daarom de meeste energie-efficiëntie en besparing.

Werking	Aanbevolen snelheidsinstelling
Backwashen van uw mediafilter	Backwash snelheid
Zwembadfiltering	Snelheid 1 tot 4
Gebruik zuigreiniger zwembad	Snelheid 5 tot 8
Uw zwembad handmatig reinigen	Snelheid 9 tot 10
Waterfunctie werking	
Spa jet werking	
In de bodem ingebouwd reinigingssystemen	
Zonneverwarming zwembad	

Richtlijnen voor aanbevolen pompwerkingsuren

De minimale turnover rate van privézwembaden is in principe een enkele turnover van het volledige volume van het zwembadwater binnen de dagelijkse werkingsperiode van de pomp. De onderstaande tabellen geeft alleen een richtlijn voor de werkingstijden van uw pomp in filtermodus om de minimale turnover rate te behalen:

SilensorPRO SP200BT

Omvang zwembad Liters	Snelheidsinstelling (uren)		
	Snelheid 1	Snelheid 5	Snelheid 10
20.000	3,3	1,7	1,1
30.000	5,0	2,5	1,7
40.000	6,7	3,3	2,2
50.000	8,3	4,2	2,8
60.000	10,0	5,0	3,3
80.000	13,3	6,7	4,4
100.000	16,7	8,3	5,6

SilensorPRO SP400BT

Omvang zwembad Liters	Snelheidsinstelling (uren)		
	Snelheid 1	Snelheid 5	Snelheid 10
20.000	2,4	1,3	0,9
30.000	3,7	2,0	1,4
40.000	4,9	2,7	1,9
50.000	6,1	3,3	2,3
60.000	7,4	4,0	2,8
80.000	9,8	5,3	3,8
100.000	12,3	6,7	4,7



Conform EN 60335.1 zijn wij verplicht u te informeren over het feit dat dit apparaat kan worden gebruikt door kinderen van 8 jaar en ouder en personen met beperkte fysieke, sensorische of geestelijke capaciteiten of een gebrek aan ervaring en kennis als gebruik onder toezicht plaatsvindt of als zij instructies over het gebruik van het apparaat hebben ontvangen van een persoon die verantwoordelijk is voor hun veiligheid. Kinderen moeten onder toezicht staan om te voorkomen dat ze met het apparaat spelen.

Legen van het zeefmandje

Het zeefmandje moet geregeld worden gecontroleerd via het transparante deksel en gelegd worden als er veel vuil in zit. Volg hiervoor de onderstaande instructies.

- Schakel de pomp uit en haal de stekker uit het stopcontact;
- Schroef het deksel van het zeefmandje tegen de klok in los en verwijder het;
- Verwijder het zeefmandje door het omhoog te trekken;
- Verwijder het afval uit het mandje. Indien nodig met water uitspoelen.



OPMERKING: Stoot NOOIT met de plastic mand op een harde ondergrond, dit kan de mand beschadigen.

- Controleer het zeefmandje op scheuren en plaatst het terug in de pomp als het in goede staat verkeerd;
- Doe het klepje dicht en controleer of het goed op de rubberen o-ring zit. Met de hand stevig aandraaien is voldoende. De o-ring en de draad kunnen gesmeerd worden met Hydra slip of equivalente producten.



Het niet regelmatig uitvoeren van onderhoud kan schade veroorzaken die niet wordt gedekt door de garantie.

Routine-onderhoud

Om de levensduur van de SilensorPRO te maximaliseren, en voor de persoonlijke veiligheid, gebruikt u deze checklist eenmaal per week. Zorg ervoor dat de pomp is uitgeschakeld voordat u begint en dat de stekker uit het stopcontact is gehaald:

- Zorg dat drukmeters goed werken en dat de werkingsdruk binnen de grenzen ligt zoals op het product wordt gespecificeerd;
- Zorg dat elke afzuigingang en de hoofddrain een deksel hebben die veilig is bevestigd en goed werkt;
- Zorg dat alle skimmers voorzien zijn van deksels die goed zijn bevestigd en goed werken. Deze moeten om de 3 tot 4 jaar worden vervangen;
- Verwijder verstoppingen of vuil uit het deksel van de hoofddrain;
- Controleer minstens een keer per week of het skimmermandje en de pompmand vrij zijn van bladeren en afval;
- Verwijder obstructies en brandbaar materiaal rond de pompmotor;
- Zorg dat alle bedringsaansluitingen schoon zijn en dat de bedrading en de elektrische uitrusting in goede staat verkeren. Beschadigde draden moeten gerepareerd of vervangen worden door een gekwalificeerde elektricien zodra de beschadiging wordt ontdekt.
- Controleer het waterevenwicht en de gehalten aan desinfecterende middelen via uw plaatselijke zwembad speciaalzaak.

5. KENMERKEN & FUNCTIES

De SilensorPRO heeft verschillende werkingsfuncties. Deze worden hierna uitgelegd.

Meerkleurige led verklikkerlampjes

Dit wordt gebruikt ter identificatie van vereiste instellingen voor het programmeren van de tijd voor topsnelheid (boost) cycli en waarschuwingen:

- Blijft groen branden = normale keuzewerking
- Knippert langzaam groen = backwash
- Knippert snel groen = AUX externe controle blijft branden
- Blijft wit branden = tijd voor backwash
- Knippert snel wit = fout gedetecteerd - reset pomp
- Knippert langzaam blauw = bediening via Bluetooth
- Blijft blauw branden = Bluetooth modus

Backwash speed cycling technology

In de backwash modus draait de SilensorPRO tussen de lage en de hoge snelheid om beweging van de filtermedia te bevorderen voor een efficiëntere reiniging. Dit vermindert afvalwater tijdens het backwash circulatieproces.

Volledig variabele frequentieaandrijving met gebruiksvriendelijke snelheidskeuze

- Biedt gemakkelijke keuze van de gewenste filtersnelheid
- Geen ingewikkelde digitale drukknopcontrole

Grote 4,5 liter pompmand

- Voor langere intervallen tussen reiniging

Gepatenteerd water gekoeld design voor vlotte en stille werking

De SilensorPRO heeft een water gekoeld membraan en jacket rond de motor die de pomp koel houden tijdens werking. Afvoerwarmte van de motor wordt naar het zwembadwater geleid, waardoor de verwarmingskosten van het zwembad worden verminderd.

SP400BT constant flow/snelheidscompensatie

Als het zwembadfilter smerig wordt, neemt de druk toe. Met een normale zwembadpomp zou dit de doorstroming in het systeem vertragen. De SilensorPRO bezit de intelligentie om automatisch de weerstand te detecteren van een filter en om langzaam de doorstromingsvermindering te compenseren door de snelheid van de motor op te voeren. Op deze manier blijft de flow constant tussen twee reinigingsbeurten van het filter.

Als de SilensorPRO detecteert dat de snelheidstoename aangeeft dat het tijd is voor een backwash van het filter, blijft het led lampje wit branden (zie item hierboven).

SP400BT weerbestendige RJ45 communicatiepoort (zie sectie 7 voor aansluitingsinformatie)

- Voor communicatie en aansluiting op externe zwembad controlesystemen
- Om een signaal te ontvangen van een verwarmingspomp of gasverwarming om de SilensorPRO snelheid op te voeren tot de hoogste stand tijdens het verwarmingsproces.
- Onderhoudsdiagnoses en software updates (alleen voor gebruik Davey)

6. BLUETOOTH FUNCTIE

Bluetooth app set-up

- Open de "App Store" app op uw apparaat.
- Zoek de "Davey Pool Pump"
- Installeer de app op uw apparaat.



De app kan geïnstalleerd worden op zo veel apparaten als u wilt, maar de pomp kan maar met een apparaat per keer bediend worden. De taal en de tijd van de app zijn hetzelfde als die van uw app instelling. De meeteenheden worden automatisch ingesteld volgens de eenheden van de regio van uw apparaat, maar u kunt kiezen tussen liters, gallons en m3/uur

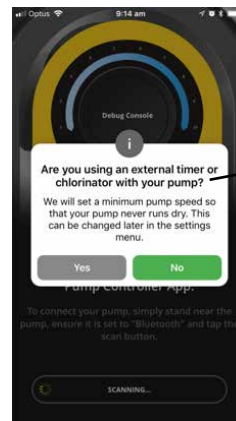
Koppelen van een apparaat aan de pomp.

- Open de app op uw smart apparaat.
- Draai de knop op de pomp van "off" naar "Bluetooth", er gaat een seconde een wit led lampje branden.
- Druk op uw apparaat op de aansluitingsknop.
- ALLEEN als u de instelling voor de eerste keer uitvoert, kiest u "JA" om de lokalisatie toe te staan
- Als de apparaten voor de eerste keer worden gekoppeld, hebt u 2 minuten de tijd om dit te doen, daarna moet de hele procedure herhaald worden.

Externe timer/chlorinator

Er verschijnt een pop-up venster dat u vraagt of u een externe timer of chlorinator gebruikt voor de bediening van de SilensorPRO. Kies "ja" of "nee" Dit is een beveiligingsfunctie waardoor voorkomen wordt dat de chlorinator gaat werken zonder dat de pomp functioneert.

Opmerking: App screenshots worden alleen ter illustratie weergegeven. De schermweergaves kunnen variëren.



Dit pop-up venster verschijnt

Handmatige of geprogrammeerde modus

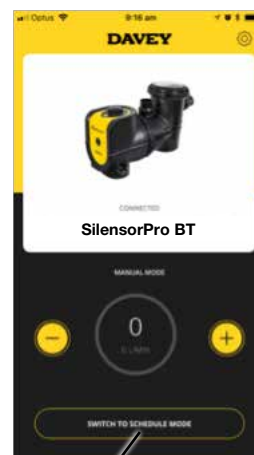
Er zijn twee modus beschikbaar, u kunt handmatig de SilensorPRO bedienen of u kunt een werkingsprogramma opstellen.

Handmatige modus

- In de geprogrammeerde modus drukt u op "overschakelen naar handmatige modus"
- De app staat nu in de handmatige modus en u kunt handmatig de snelheid aanpassen door te drukken op de (+/-)
- In de handmatige modus werkt de SilensorPRO op de ingestelde snelheid, zelfs als de telefoon buiten bereik is.
- Elk keer dat de knop op Bluetooth wordt gezet, draait de pomp na de priming cyclus op de eerder ingestelde snelheid.

Geprogrammeerde modus

- Er zijn twee opties (instellen van een dagelijkse cyclus of een wekelijkse cyclus) die u kiest door op het gewenste vak te drukken.
- Met deze optie kunt u een standaard "dagelijks programma" creëren dat elke dag consistent werkt op de ingestelde niveaus.



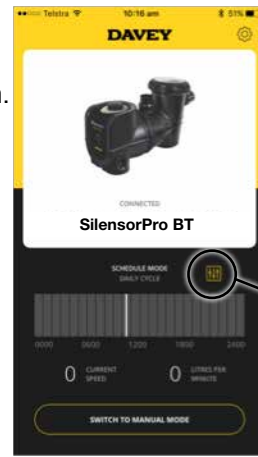
Om te schakelen tussen de handmatige en geprogrammeerde modus drukt u op deze knop.

Er zijn twee opties (instellen van een dagelijkse cyclus of een wekelijkse cyclus) die u kiest door op het gewenste vak te drukken. Met deze optie kunt u een standaard "dagelijks programma" creëren dat elke dag consistent werkt op de ingestelde niveaus.

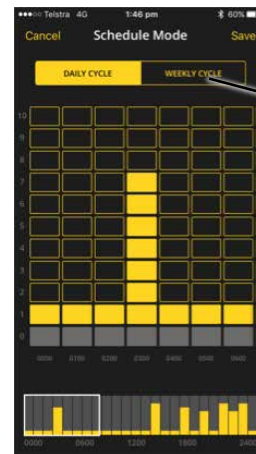
- De "Wekelijkse cyclus" optie kan voor de hele week worden ingesteld, zodat u de dagelijkse pompcycli in kunt stellen afhankelijk van het weer, het aantal zwemmers, enz.

Instellen van een programma

- Kies het vakje dat overeenkomt met de tijd die de pomp in werking moet zijn.
- Kies de snelheidsinstelling waarop u wilt dat de pomp steeds werkt. Opmerking: Instellen van de pomp (1-10) verwijst naar langzaamste tot snelste werkingssnelheid van de pomp.
- Als u tevreden bent met het programma kiest u "Opslaan". Communicatie tussen het apparaat en de pomp kan tot 20 seconden in beslag nemen afhankelijk van het gekozen schema.
- De regel onderaan het scherm geeft aan op elke dag en welk tijdstip het schema is aangeland. Dit samenvattingsscherm kan gemakkelijk worden aangepast door de bovenstaande kolommen omhoog of omlaag te swipen.
- **Opmerking:** Als u een chlorinator gebruikt, moet u ervoor zorgen dat de "on" tijden van de pomp overeenkomen met de "on" tijden van de chlorinator. De pomp blijft in de laatst gebruikte modus staan, ongeacht of dit de handmatige of de geprogrammeerde modus is.



Selecteer om de instellingen aan te passen



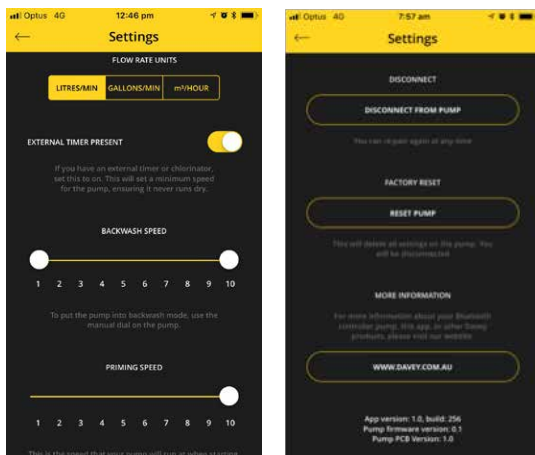
Kies de dagelijkse cyclus of de wekelijkse cyclus.

Instellingen

Om de set-up instellingen aan te passen, klikt u op het icoon instellingen.



Het volgende scherm verschijnt (scroll naar beneden op het scherm om alle informatie te bekijken).



Priming snelheid/Max snelheid

Bij elke start van de pomp vindt eerst een priming van 2 minuten plaats om ervoor te zorgen dat er water in het systeem zit. De snelheid waarmee dit gebeurt, kan worden aangepast tussen 5 en 10. De snelheid die u instelt, beperkt de maximale snelheid waarmee de pomp handmatig of in geprogrammeerde modus werkt.

Backwash

Kan worden ingesteld op een enkele snelheid of in twee snelheden waarbij de pomp "pulst tussen de twee instellingen. Minimale snelheid kan worden ingesteld tussen 1-10, maximale snelheid kan worden ingesteld tussen 5-10.

“External Timer Present” (externe timer)

Zet dit aan of uit, afhankelijk van of u al dan niet een externe timer/chlorinator gebruikt.

Loskoppelen functie

De "loskoppelen van de pomp" functie kan worden gebruikt om:

- Met een ander apparaat de pomp te bedienen
- Los te koppelen zodat u niet automatisch aan de pomp verbonden wordt.
- Wij wijzen u erop dat de Bluetooth verbinding automatisch wordt verbroken na een minuut zonder communicatie

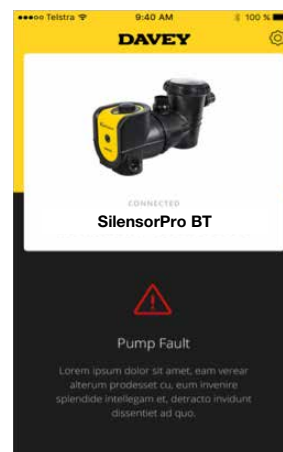
“Factory Reset” (reset fabrieksinstellingen)

Hiermee wordt de pomp gereset in de fabrieksconfiguratie zodat u het set-up proces opnieuw uit kunt voeren.

- Kies "reset pomp"
- Zet de knop op "off", en daarna op "Bluetooth"
- Daarna kunt u de pomp opnieuw aan uw telefoon koppelen. Deze procedure is ingesteld om onopzettelijk resetten van de pomp te voorkomen.

Pomp defecten zoeken

In geval van een defect verschijnt het volgende scherm waarop het defect met daaronder de oplossing worden vermeld.



Naam defect	Beschrijving defect
Pomp defect - zoeken	Controleer of de motor vrij kan draaien. Schakel 1 minuut uit en schakel dan weer in om te resetten. Als het probleem blijft bestaan, contact opnemen met Davey of een erkende reparateur.
Pomp defect - te lage spanning	Probleem in het stroomnetwerk. Als de stroom weer normaal is, een minuut uitschakelen en dan weer in om te resetten.
Pomp defect - te hoge temperatuur	Pomp is te heet Controleer de omgevingstemperatuur. Stel in op de laagste snelheid als de omgevingstemperatuur te hoog is.
Pomp defect - motor draait vertraagd	Controleer of de motor vrij kan draaien. Schakel 1 minuut uit en schakel dan weer in om te resetten.
Pomp defect - onderbelasting/ prime verlies	Controleer of er genoeg water in de pomp zit. Schakel 1 minuut uit en schakel dan weer in om te resetten. Als het probleem blijft bestaan, contact opnemen met Davey of een erkende reparateur.

<p>Pomp defect - te hoge temperatuur motor; of Pomp defect - te lage spanning; of Pomp defect - aardlek defect; of Pomp defect - systeem defect; of Pomp defect -output fase defect; of Pomp defect - vermogen overbelasting; of Pomp defect – EEPROM checksum; of Pomp defect – watchdog fout; or Pomp defect – back EFM bescherming; of Pomp defect - thermistor fout; of Pomp defect - uitgeschakelde koppel; of Pomp defect - interne bus communicatie; of Pomp defect – applicatiefout; or Pomp defect - IGTB temperatuur hoog; of Pomp defect - 4mA analoge input fout; of Pomp defect - externe fout; of Pomp defect – keypad communicatie fout; or Pomp defect – veldbus communicatie fout; or Pomp defect – veldbus interface fout.</p>	<p>Schakel 1 minuut uit en schakel dan weer in om te resetten. Als het probleem blijft bestaan, contact opnemen met Davey of een erkende reparateur.</p>
--	--

7. GEAVANCEERDE SETUP VAN DE SP400BT

Externe AUX aansluitingen overzicht

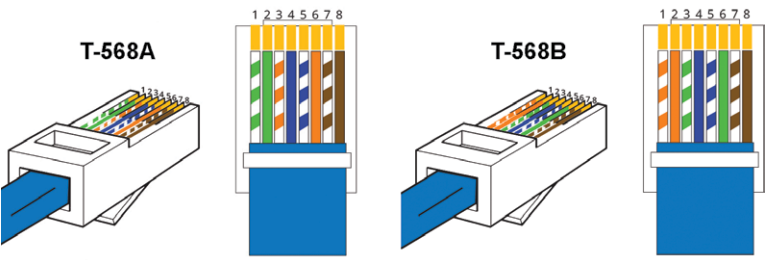
Uw SilensorPro SP400BT heeft een RJ45 stijl waterproof plug voor externe bediening van de motorsnelheid en andere functies. U kunt een standaard RJ45 netwerkkabel (zonder boot) gebruiken.



Figuur 7.1: RJ45 plug geïnstalleerd in behuizing (achterkant)

Wij raden u aan de kabellengte tussen de pomp en de externe zwembadcontroller of verwarming zo kort mogelijk te houden. Er zijn twee belangrijke pin configuraties zoals hieronder weergegeven:

RJ45 PINOUT



Figuur 7.2: RJ45 pin aansluitingen

Pin	Functie	T-568A	T-568B
1	RS485 +ve	Groen/wit	Oranje/wit
2	RS485 -ve	Groen	Oranje
3	Digitale input 3	Oranje/wit	Groen/wit
4	Analoge input	Blauw	Blauw
5	0V DC Aarde	Blauw/wit	Blauw/wit
6	Digitale input 2	Oranje	Groen
7	Digitale input 1	Bruin/wit	Bruin/wit
8	24V	Bruin	Bruin

Controleer of de kabel die u gebruikt voldoet aan de bovenstaande kleurcode pinnen 1 tot en met 8. Als een andere kleurcode wordt gebruikt, noteer dan de kleur die overeenkomt met elke pin om verkeerde aansluiting op de zwembad controller of verwarming te voorkomen. Als een andere kabel wordt gebruikt, zorg dan dat de analoge input en de aarde een gedraaid paar zijn.

De 24V aansluiting mag alleen worden gebruikt als referentie voor de digitale inputs - SLUIT GEEN externe uitrustingen aan op deze aanvoerrail.

Digitale controle input

De 3-cijferige inputs maken het mogelijk de snelheidskeuze instelling te overriden. Om een van deze inputs in te stellen:

- Sluit een geïsoleerde 24V toevoer aan tussen de DC aarde en de digitale input pin
- Sluit de geschakelde contacten van een relais aan tussen de 24V pin en de digitale output

De vaste snelheden (proportioneel aan volledige snelheid) zijn:

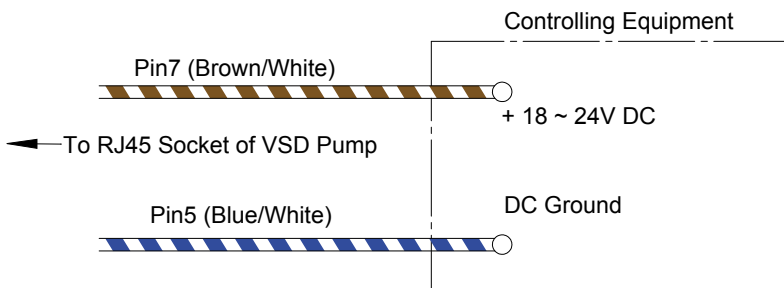
Input 1 (pin 7)	Input 2 (pin 6)	Input 3 (pin 3)	Output snelheid
0	0	0	Kies
0	0	24V	33%
0	24V	0	50%
0	24V	24V	Backwash
24V	0	0	100%
24V	0	24V	67%
24V	24V	0	83%

Interfacing uitrusting bij de SilensorPro SP400BT

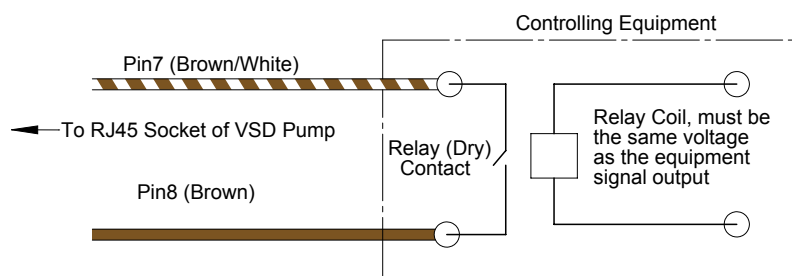


WAARSCHUWING! Het onderstaande werk moet worden uitgevoerd door een gekwalificeerde elektricien.

De SilensorPro SP400BT kan gecontroleerd worden via andere uitrustingen voor inschakeling van hoge snelheid (of andere vooraf ingestelde snelheden, zie sectie 8 voor meer informatie). Hierdoor wordt maximale efficiëntie verkregen, bijvoorbeeld bij gebruik van een gasverwarming of een verwarmingspomp. Als de uitrusting een geïsoleerde 18-24V DC signaal output heeft, sluit u pin 7 aan op 24V DC positief en pin 5 op DC aarde zoals wordt weergegeven in het volgende diagram:



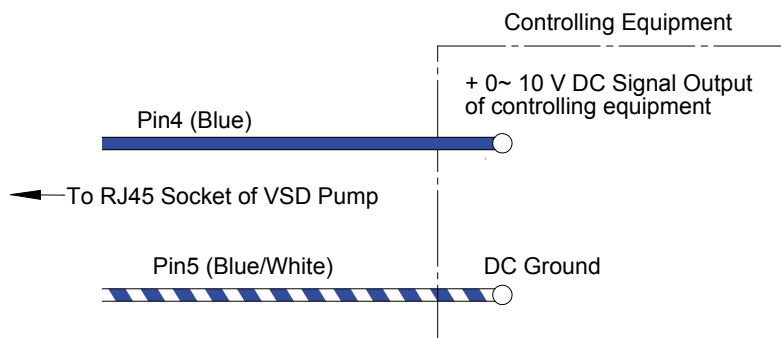
Als de controle-uitrusting geen 18-24V output spanning heeft zoals hierboven vermeld, maar een 24V AC, 230V AC, 12V AC of 12V DC enz. signaal output, kan hiervoor een geschikte relais (de spoelspanning moet hetzelfde zijn als het signaal output spanning van de controle-uitrusting) worden gebruikt, zoals weergegeven in het volgende diagram:



Als de controle-uitrusting al een relais output heeft (droogcontact) voor de controlefunctie, is een extra relais niet nodig, sluit dan Pin 7 (bruin/wit) en Pin 8 (bruin) aan op de droge contacten zoals weergegeven in het linkerdeel van het bovenstaande diagram.

Analoge controle input

Snelheidscontrole kan ook worden opgeslagen door aansluiting van een 0-10V signaal op de input op pin 4 (aarde op pin 5). Zodra een signaal boven 0V wordt geregistreerd, neemt deze input voorrang op alle gekozen instellingen. Bijvoorbeeld 10V DC verandert de pompsnelheid tot 100%, 5V DC verandert de pompsnelheid tot 50% etc.



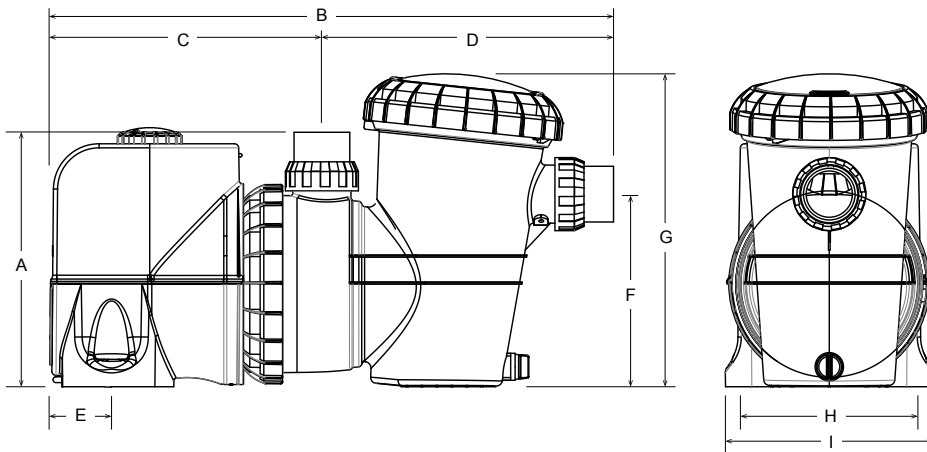
8. TECHNISCHE SPECIFICATIES

Model	SP200BT	SP400BT
Max kop (m)	20	26
RPM	Snelheid 1 - 10: 1.500 – 3.600	Snelheid 1 - 10: 1.050 – 3.100
	Backwash instelling: variabel	
Behuizing klasse (IP)	45	
Isolatieklasse	F	
Voltage (V)	220 - (240VAC)	
Stroom frequentie (Hz)	50/60 Hz	
Maximaal ingangsvermogen: (W)	Snelheid 1: 128	Snelheid 1: 126
	Snelheid 5: 524	Snelheid 5: 728
	Snelheid 10: 1.111	Snelheid 10: 1.639
	Backwash instelling: variabel	

Werkingsgrenzen

Max watertemperatuur:	40°C	40°C
Max omgevingstemperatuur:	50°C	50°C

Afmetingen



A	B	C	D	E	F	G	H	I	Montageopeningen doorsnede	Inlet/Outlet PVC	Netto gewicht (kg)
305mm	670mm	320mm	350mm	65mm	230mm	380mm	200mm	250 mm	10mm	50/63	14

9. GEBRUIK VAN UW SILENSORPRO MET ZOUT WATER CHLORINATOR

Chlorinatoren vereisen een minimale waterflow door de chloreringscellen voor optimale efficiëntie en levensduur van de cellen. Zie de handleiding van van de chlorinator voor richtlijnen voor de vereiste flow voor uw zwembadsysteem. Controleer of de flow rate voldoende is voor volledige afdekking van uw chloreringscellenplaten gedurende de volledige werkingsduur.

10. GEBRUIK VAN UW ZUIGREINIGER VOOR ZWEMBAD

Voordat u een zwembadreiniger installeert of koopt voor gebruik met uw SilensorPro moet u nagaan welke minimale flow rates vereist zijn voor efficiënte werking.

Om een zuigreiniger voor zwembad te gebruiken:

- Activeer de high flow instelling (10) en laat de pomp volledig aanzuigen door 2 minuten te laten draaien. Als de pomp volledig is aangezogen ziet u een sterke waterstroom via het transparante deksel van het bladmandje.
- Als alle lucht uit het bladmandje verwijderd is, sluit u de slang van de zwembadreiniger stevig aan op de skimmerplaat of de daarvoor bestemde wandafzuiging.
- Kies de snelheidsinstelling die het beste resultaat geeft voor uw zuigreiniger. Snelheid 3 tot 7 is voldoende voor de meeste reinigers, als de reiniger meer nodig heeft, kiest u snelheid 7-10.
- De reiniger moet niet langer worden aangesloten dan noodzakelijk is voor het reinigen van uw zwembad. Als het zwembad schoon is, sluit u de reiniger af en verwijdert u de skimmerplaat van de skimmer.
- Activeer opnieuw de meest efficiënte snelheidsinstelling voor dagelijkse filtering. Aanbevolen snelheid 1 tot 4.



OPMERKING: Voor optimale energie-efficiëntie van uw SilensorPro moet u de zuigreiniger NIET aangesloten laten als geen reiniging nodig is.



OPMERKING: Als de SilensorPRO is aangesloten op een timer of een andere automatische controle, moet de bedrading door een gekwalificeerde elektricien worden verwijderd.

- Sluit de waterventielen aan op de zwembadretour en de inlet van de SilensorPRO slangen.
- Verwijder de koppelingen van de afvoer- en afzuigslangen, let op dat u de o-ringen niet kwijt raakt.
- Verplaats de slangen met de daaraan bevestigde koppelingen tot de SilensorPRO vrij getrokken kan worden.



OPMERKING: Zorg dat u het modelnummer dat te vinden is op het plaatje op de motor, bij de hand hebt als u informatie vraagt over uw SilensorPro.

11. PROBLEEMOPLOSSING

Als de pomp draait, maar er geen of weinig water stroomt, kan het volgende van toepassing zijn:

- Het filter vereist backwashing of is verstopt. Zie de relevante sectie in de filterhandleiding
- U hebt de pomp niet aan laten zuigen. Laat de pomp opnieuw aanzuigen zoals vermeld in 'De pomp starten'
- Er zitten luchtlekken in de afzuigslangen Controleer alle slangen en repareer lekken, controleer ook of de klep van het zeefmandje niet los zit. Luchtbellen in het water die terugstromen naar het zwembad wijzen op een lek in de afzuiging naar de pomp waardoor er lucht in de slangen komt.
- Niet functioneren kan ook veroorzaakt worden door een lekkende afsluiting van de pompzuiger. Dit is het geval als er zich water op de grond onder de pomp bevindt.
- De pomp kan geen water uit het zwembad krijgen. Controleer of de ventielen naar de pomp volledig open zijn en of het zwembadwaterniveau tot aan de skimmer staat. Halverwege de voorkant van de skimmerbox is voldoende;
- Verstopping in de slangen of de pomp. Verwijder het zeefmandje en controleer op verstopping bij de ingang van de pompwaaier. Controleer de skimmer op verstopping.

Als de pomp niet werkt, kan het volgende van toepassing zijn:

- De stroom is niet aangesloten. Alleen voor -240 volt, controleer het stroompunt door een draagbare applicatie aan te sluiten om na te gaan of er stroom beschikbaar is. Controleer ook de zekeringen en de hoofdschakelaar;
- Automatische overbelasting geactiveerd. De pomp heeft een ingebouwde thermische overbelasting die automatisch reset nadat de motor is afgekoeld na een oververhittingsperiode. Bepaal de oorzaak van de activering van de overbelasting en corrigeer dit. Reset de pomp door de stroom 30 seconden UIT te schakelen.
- Verstopping verhindert rotatie van de pomp.

12. DE SILENSORPRO VAN DE SLANGEN AFKOPPELEN

Als u de SilensorPRO moet afkoppelen, volgt u de deze instructies:

- Schakel de stroom uit en verwijder de stekker uit het contact.
- Schroef de koppeling op de voorkant en bovenkant van de pomp los zodat de pomp niet meer aan de slangen vast zit;
- Schuif de pomp opzij.

13. WATERKWALITEIT

AANBEVOLEN CHEMISCHE SAMENSTELLING ZWEMBADWATER

ZWEMBADWATER EVENWICHT	Vrij chloor (ppm)	pH	Totale Alkaliniteit TA (ppm)	Calciumhardheid (ppm)	Stabilisator – Cyanuurzuur (ppm)
Ideale lezing / Bereik	1 – 3	Zwembaden met beton en tegels: 7,4-7,6 Andere oppervlakken: 7,2-7,4	Beton en tegels - 80-120 Andere oppervlakken - 125-150	Beton en tegels - 200-275 Andere oppervlakken - 100-225	25 – 50
Om te verhogen	Verhoog de output van de chlorinator. Voeg chloor toe. Verhoog de filtertijd.	Buffer of sodatriumcarbonaat) toevoegen	Natriumbicarbonaat toevoegen	Calciumchloride toevoegen	Cyanuurzuur toevoegen
Om te verlagen		Zoutzuur toevoegen	Zoutzuur toevoegen of droog zuur toevoegen	Zwembad gedeeltelijk leeg laten lopen en bijvullen met minder hard water om te verdunnen.	Zwembad gedeeltelijk leeg laten lopen en bijvullen om te verdunnen
Testfrequentie	Wekelijk	Wekelijk	Wekelijk	Wekelijk	Geregeld



Routine onderhoudstaken - Om de levensduur van de SilensorPRO te maximaliseren, en voor de persoonlijke veiligheid, gebruikt u deze checklist eenmaal per week. Zorg ervoor dat de pomp is uitgeschakeld voordat u begint en dat de stekker uit het stopcontact is gehaald:

- a. Zorg dat drukmeters goed werken en dat de werkingsdruk binnen de grenzen ligt zoals op het product wordt gespecificeerd.
- b. Zorg dat elke afzuiging en de hoofddrain een deksel hebben die veilig is bevestigd en goed werkt.
- c. Zorg dat alle skimmers voorzien zijn van deksels die goed zijn bevestigd en goed werken. Deze moeten om de 3 tot 4 jaar worden vervangen.
- d. Verwijder verstoppingen of vuil uit het deksel van de hoofddrain.
- e. Controleer minstens een keer per week of het skimmermandje en de pompmand vrij zijn van bladeren en afval.
- f. Verwijder obstructies en brandbaar materiaal rond de pompmotor.
- g. Zorg dat alle bedradingsaansluitingen schoon zijn en dat de bedrading en de elektrische uitrusting in goede staat verkeren. Beschadigde draden moeten gerepareerd of vervangen worden door een gekwalificeerde elektricien zodra de beschadiging wordt ontdekt.
- h. Controleer het waterevenwicht en de gehalten aan desinfectiemiddelen via uw plaatselijke zwembad speciaalzaak.



ELEKTRISCHE AANSLUITING EN BEDRADING MOETEN WORDEN AANGESLOTEN DOOR EEN ERKENDE ELEKTRICIEN



GEVAAR Gevaarlijke afzuiging. Blokkeer de wateringang in het filtersysteem niet met een lichaamsdeel, de druk kan haar of lichaamsdelen vastzuigen en ernstig letsel of overlijden tot gevolg hebben. Blokkeer de afzuiging niet.

Zet de pomp onmiddellijk uit als er iemand bekneld raakt.

Gebruik geen zwembaden, spa's of spabaden als een zuigerafsluiting kapot is, ontbreekt of los zit. Er moeten bij elke pomp twee zuigerafsluitingen en ingangen verstrekt worden om beknelling in de zuiger te voorkomen.



Conform AS/NZS60335.2.41 informeren wij u dat deze pomp niet gebruikt mag worden door kinderen of mensen met een handicap, en evenmin door kinderen gebruikt mag worden als speelgoed.



Let op! Voeg niet rechtstreeks chemische middelen toe aan de skimmer. Het toevoegen van onverdunde chemische stoffen kan de pomp en het filter beschadigen en ongeldigheid van de garantie tot gevolg hebben.



Let op! Zorg ervoor dat de pomp wordt geïnstalleerd op een plaats waar hij niet wordt blootgesteld aan vriestemperaturen.

Davey garantie

Davey Water Products zijn inclusief een garantie die niet kan worden uitgesloten onder nationale wetgeving. U hebt recht op vervanging of terugbetaling voor een groot defect en op vergoeding voor alle redelijk voorzienbare verlies of schade U hebt recht op reparatie of vervanging van de goederen als deze niet van acceptabele kwaliteit zijn en dit niet het gevolg is van een groot defect.

Davey Water Products Pty Ltd (Davey), 6 Lakeview Drive Scoresby VIC 3179 voorziet in de volgende garantie met betrekking tot dit product. Davey garandeert dat onder voorbehoud van de onderstaande uitzonderingen en beperkingen, het product vrij is van materiaal- en vervaardigingsdefecten gedurende een periode van 24 maanden na de aankoopdatum (garantieperiode).

Als het product een defect vertoont voor het einde van de garantieperiode en Davey een materiaal- of vervaardigingsdefect constateert in het product, zal Davey naar eigen inzicht:

1. het product of de defecte onderdelen kosteloos vervangen of repareren of
2. ervoor zorgen dat het defecte product of onderdeel kosteloos wordt gerepareerd of vervangen door een erkende reparateur.

Davey behoudt zich het recht voor defecte onderdelen van het product te vervangen door onderdelen of componenten van soortgelijk kwaliteit, graad en samenstelling als geen identieke onderdelen of componenten beschikbaar zijn. Goederen die worden aangeboden voor reparatie kunnen in plaats van reparatie, vervangen worden door gerenoveerde goederen van hetzelfde type.

Garantieclaims:

1. Als er zich een defect voordoet dat gedekt wordt door de Garantie stelt Davey in eerste instantie voor dat u contact opneemt met de dealer waar u het product hebt gekocht. U kunt ook contact opnemen met onze Customer Servicelijn via 1300 367 866 in Australië, of 0800 654 333 in Nieuw-Zeeland, of schrijven naar Davey op het bovenstaande adres; of e-mailen naar sames@davey.com.au.
2. Bij de garantieclaim moeten een aankoopbewijs en gegevens over het vermeende defect worden gevoegd.
3. Na ontvangst van uw claim zal Davey proberen uw probleem op te lossen, of als het product defect is, u adviseren over de manier waarop u uw product kunt laten repareren, een vervangend product of terugbetaling kunt verkrijgen.
4. Deze garantie is beperkt tot materiaal- en vervaardigingsdefecten van het product en is niet van toepassing op gebruiksonderdelen of het vervangen van onderdelen vanwege slijtage.

Uitsluitingen:

De garantie is niet van toepassing indien:

1. Het Product is gewijzigd, gerepareerd of onderhouden door een ander dan Davey of een erkende reparateur.
2. Davey geen defect vast kan stellen na het testen van het product.
3. Het product anders is gebruikt dan voor het doel waarvoor het is ontworpen.
4. Het product gebruikt is in ongebruikelijke omstandigheden qua temperatuur, water, vochtigheid, druk, belasting of soortgelijke omstandigheden.
5. De koper geen originele of goedgekeurde onderdelen of accessoires heeft gebruikt.
6. Het productdefect het gevolg is van misbruik, verkeerd gebruik, nalatigheid of ongeval.
7. Het productdefect het gevolg is van de nalatigheid van koper om het product correct te onderhouden of gebruiken.
8. De schade is veroorzaakt door het gebruik van chemische of reinigingsproducten die niet door Davey zijn goedgekeurd.

Indien uw Davey product reparatie of onderhoud vereist na de garantieperiode, kunt u contact opnemen met de dichtstbijzijnde de Davey dealer of mailen naar het Davey Support Center.. Een volledige lijst van Davey dealers is te vinden op onze website.

DAVEY

Davey Water Products Pty Ltd
Member of the GUD Group
ABN 18 066 327 517

daveywater.com

AUSTRALIË

Hoofdkantoor

6 Lakeview Drive,
Scoresby, Australia 3179
Ph: 1300 232 839
Fax: 1300 369 119
Email: sales@davey.com.au

NIEUW-ZEELAND

7 Rockridge Avenue,
Penrose, Auckland 1061
Ph: 0800 654 333
Fax: 0800 654 334
Email: sales@dwp.co.nz

EUROPA

7 rue Eugène Hénaff 69200
Vénissieux, France
Ph: +33 (0) 4 72 13 95 07
Fax: +33 (0) 4 72 33 64 57
Email: info@daveyeurope.eu

NOORD-AMERIKA

Ph: 1-888-755-8654
Email: info@daveyusa.com

MIDDEN OOSTEN

Ph: +971 50 6368764
Fax: +971 6 5730472
Email: info@daveyuae.com

DAVEY

SILENSOR[®]PRO
by **DAVEY**

SilensorPRO SP200BT & SP400BT Bomba para Piscina

Instruções de Instalação e Funcionamento

50/60Hz



SP200BT

SP400BT



Por favor, consulte o website da Davey na sua região no verso deste documento para ver todas as atualizações e informações sobre produtos.

Por favor, transmita estas instruções ao operador deste equipamento.

Parabéns pela sua compra de uma bomba SilensorPRO SP200BT ou SP400BT de alta qualidade. Todos os componentes foram concebidos e fabricados de modo a proporcionarem uma operação fiável e sem problemas.

Índice:

1.	INSTALAÇÃO DA BOMBA DE VELOCIDADE VARIÁVEL DA DAVEY	87
	Ligação elétrica.....	87
	Ligação da canalização	88
2.	DIAGRAMA DE INSTALAÇÃO TÍPICA.....	89
3.	ESPECIFICAÇÕES DE DESEMPENHO.....	89
	3.1 Desempenho hidráulico da SP200BT.....	89
	3.2 Especificações Elétricas da SP200BT.....	90
	3.3 Desempenho Hidráulico da SP400BT	90
	3.4 Especificações Elétricas da SP400BT.....	90
4.	MANUAL DO PROPRIETÁRIO	91
	Poupança de energia com a SilensorPRO	91
	Lista de controlo pré-arranque.....	91
	Funcionamento com baixo consumo de energia	92
	Diretrizes sobre as horas de funcionamento recomendadas para a bomba	92
	Esvaziar o cesto do filtro.....	93
	Manutenção de rotina	93
5.	CARACTERÍSTICAS E FUNCIONALIDADE	94
	Indicador luminoso LED multicolorido	94
	Tecnologia de Ciclos da Velocidade de Contracorrente	94
	Unidade de frequência variável total com marcação rápida selecionável amiga do utilizador.....	94
	Recipiente grande de 4,5 litros para detritos	94
	Design patenteado de refrigeração a água para uma operação contínua e super silenciosa.....	94
	Compensação de caudal/velocidade constante da SP400BT.....	94
	Porta de Comunicações RJ45 hermética da SP400BT (consulte a secção 7 para ver os detalhes da ligação).....	94
6.	FUNCIONALIDADE BLUETOOTH	95
	Configuração da Aplicação Bluetooth.....	95
	Emparelhamento de um dispositivo à bomba.....	95
	Temporizador Eterno / Clorador.....	95
	Modo de programação.....	95
	Definição de uma programação.....	96
	Definições	96
	Velocidade / velocidade máxima da preparação	96
	Contracorrente.....	97
	Hora externa presente	97
	Função desligar	97
	Reposição dos valores de fábrica.....	97
	Deteção de falhas da bomba	97
7.	CONFIGURAÇÃO AVANÇADA DA SP400BT	98
	Descrição geral das ligações AUX externas.....	98
	Entradas de controlos digitais.....	99
	Equipamento de interface com a SilensorPRO SP400BT	99
	Entradas de controlos analógicos.....	100
8.	ESPECIFICAÇÕES TÉCNICAS	100
9.	UTILIZAÇÃO DA SILENSORPRO COM UM CLORADOR DE ÁGUA SALGADA.....	101
10.	OPERAÇÃO DO ASPIRADOR DA PISCINA.....	101
11.	RESOLUÇÃO DE PROBLEMAS.....	102
12.	REMOÇÃO DA SILENSORPRO DA CANALIZAÇÃO	102
13.	QUALIDADE DA ÁGUA	102
14.	GARANTIA DA DAVEY	104

1. INSTALAÇÃO DA BOMBA DE VELOCIDADE VARIÁVEL DA DAVEY

A SilensorPRO deve ser instalada o mais próximo possível da água e montada sobre uma base firme numa posição bem drenada, suficientemente elevada para impedir uma inundação. É da responsabilidade do instalador/proprietário instalar a bomba num local em que a placa identificativa possa ser facilmente lida e a SilensorPRO prontamente alcançada para fins de assistência. Recomenda-se que a SilensorPRO seja protegida das condições climáticas. As caixas devem ser ventiladas de modo a impedir a acumulação de condensação.



O não cumprimento destas instruções e a não observância de todos os códigos aplicáveis pode causar lesões corporais e/ou danos materiais graves.

Esta bomba requer uma experiência profissional para instalação e manutenção. A instalação deste produto deve ser levada a cabo por uma pessoa com conhecimento dos requisitos de chumbagem das piscinas e que siga as instruções de instalação fornecidas neste manual.

Ligação elétrica



INFORMAÇÕES IMPORTANTES A sua SilensorPRO está duplamente isolada do circuito de água. Se for necessária uma estrutura de ligação equipotencial, será fornecida uma Tomada de Ligação Equipotencial. (Por favor, consulte os estatutos e/ou regulamentos locais para saber quais as normas de cablagem equivalentes às AS/NZ 3000).

PRECAUÇÃO: No interesse da segurança, aconselhamos que todas as marcas e tipos de bombas de piscina sejam instalados de acordo com as normas AS/NZS 3000, conhecidas como as normas de cablagem nacionais, ou regulamentos standard locais equivalentes. Todas as instalações elétricas deve ser levadas a cabo por um electricista qualificado. A Davey recomenda que todas as instalações sejam efetuadas com interruptores diferenciais ou dispositivos de proteção contra corrente residual. Corrente operacional nominal residual não superior a 30mA.

AVISO! Certifique-se de que existe um interruptor de isolamento elétrico localizado com acesso fácil, para que a bomba possa ser desligada em caso de emergência.

“A alimentação eléctrica deve estar equipada com um protector de sobreintensidade antes de ser ligada ao aparelho

Desligar sempre o aparelho da alimentação antes de o montar, desmontar ou limpar.”

F	NFC C 15-100	GB	BS7671/1992
D	DIN VDE 0100-702	EW	EVHS-HD 384-7-702
A	OVE 8001-4-702	H	MSZ 2364-702:1994/MSZ 10-533 1/1990
E	UNE 20460-7-702 1993, REBT ITC-BT-31 2002	M	MSA HD 384-7-702.S2
IRL	IS HD 384-7-702	PL	PN-IEC 60364-7-702: 1999
I	CEI 64-8/7	CZ	CSN 33 2000 7-702
LUX	384-7.702 S2	SK	STN 33 2000-7-702
NL	NEN 1010-7.702	SLO	SIST HD 384-7-702.S2

A SilensorPRO é adequada para ligação a uma fonte de alimentação nominal de 220 – 240 volt 50/60Hz e está equipada de um cabo flexível. Se não estiver disponível uma tomada elétrica a uma distância de até 3 metros da bomba, terá de ser fornecida uma tomada de ligação de 3 pinos num local seguro e seco por um electricista. Os cabos de extensão à volta da piscina não são seguros e devem ser evitados. Se o cabo de alimentação da SilensorPRO estiver danificado terá de ser substituído pela Davey ou por um agente aprovado por peças sobressalentes genuínas da Davey.

A SilensorPRO incorpora um sistema de deteção de sobrecargas do motor, destinado a proteger o motor contra sobreaquecimento. Se o motor ficar demasiado quente durante a operação, a respetiva velocidade de funcionamento será reduzida de forma a baixar-lhe a temperatura até um valor aceitável e, assim, aumentar a velocidade até ao valor originalmente definido.

Para repor a definição do motor, desligue a alimentação por 30 segundos e, em seguida, devolva a alimentação a partir do interruptor da red.

Ligação da Canalização

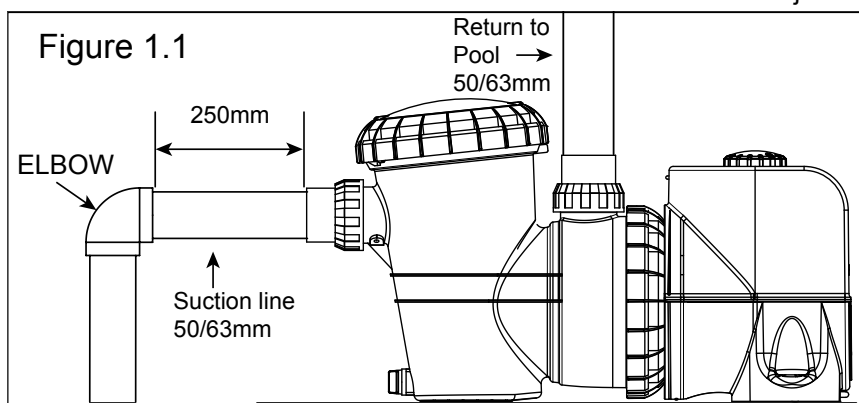
São fornecidos conectores cilíndricos para a ligação da canalização à piscina. As bombas foram concebidas para aceitar conectores em PVC de 50/63mm.



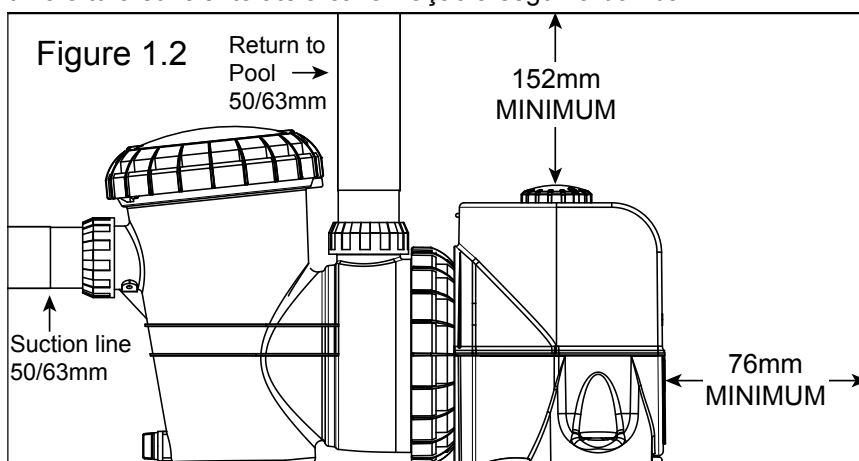
INFORMAÇÃO IMPORTANTE Se a SilensorPRO e o filtro estiverem localizados abaixo do nível da água da piscina, é necessário instalar válvulas isoladoras no tubo entre a bomba e a caixa do skimmer e no tubo de retorno do filtro até à bomba. Quando chumbar o tubo de descarga, certifique-se de que a canalização não interfere no marcador de velocidade da bomba. Os conectores cilíndricos devem ser apertados manualmente. Não são necessários vedantes, colas ou silicones.

As conexões da SilensorPRO são construídas em ABS. Certos compostos de junção de PVC são incompatíveis com o ABS. Verifique a adequabilidade dos compostos antes da utilização.

Não se recomenda a utilização de qualquer tubo menor do que os especificados acima. A tubagem de sucção deve ficar livre de fugas de ar e altos e cavidades que possam causar dificuldades de sucção. Para se alcançar a maior eficácia, a SilensorPRO deve ser instalada de forma a que a turbulência da água seja limitada o mais possível. Conforme mostrado na figura 1.1, não instale um conector curvo de 90° mais próximo do que 250mm do conector cilíndrico de entrada. As válvulas isoladoras utilizadas onde o equipamento está localizado abaixo do nível da água da piscina também não deve ser instalado a uma distância inferior a 250mm do conector cilíndrico de entrada. Isto ajudará ao fluxo laminar.



A tubagem de descarga da saída da SilensorPRO deve ser ligada à conexão de entrada do filtro da piscina (normalmente, na válvula de controlo do filtro). Conforme mostrado na figura 1.2, assegure uma folga adequada acima da bomba para não haver interferência com a marcação rápida SilensorPRO. Utilize uma válvula de regulação no tubo de descarga quando utilizar esta bomba para qualquer aplicação onde exista uma altura suficiente até à canalização a seguir à bomba.

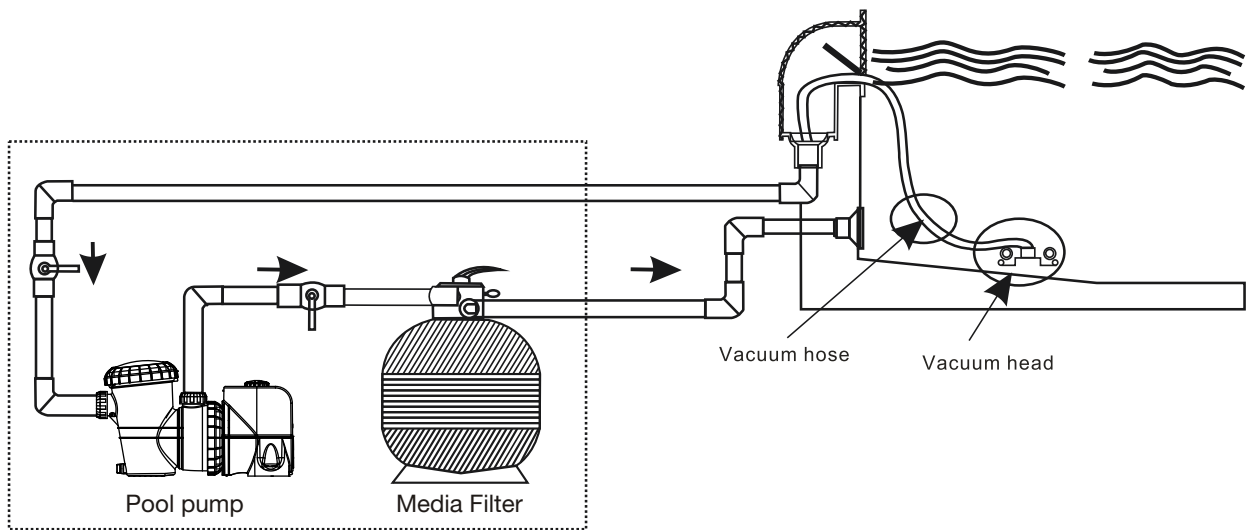


Não se esqueça de instalar válvulas de regulação quando efetuar a chumbagem com outra bomba. Esta medida ajuda a prevenir a rotação inversa da turbina e do motor.



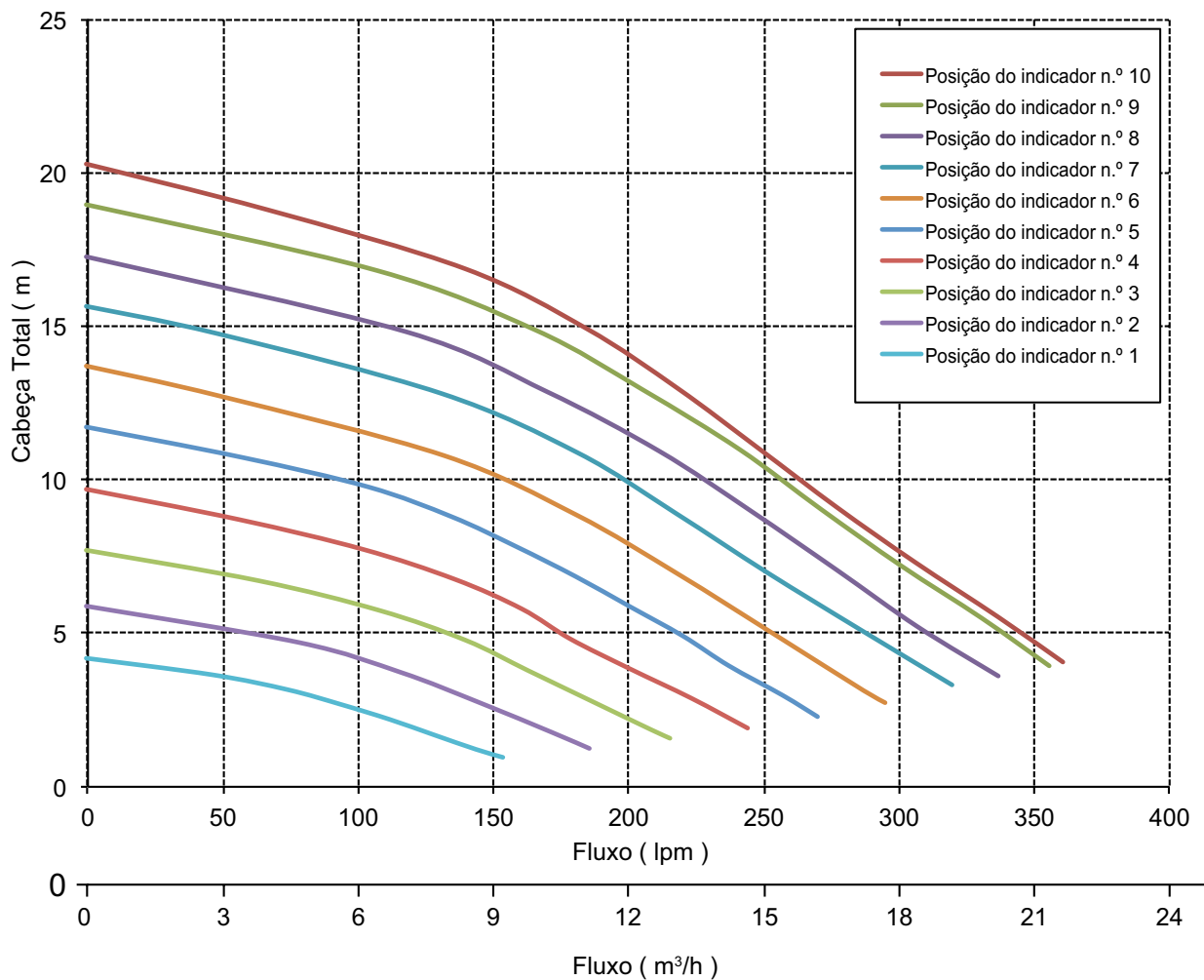
AVISO! A sucção da bomba é perigosa e pode prender e afogar ou eviscerar os banhistas. Não bloqueie a sucção. Não ponha a funcionar piscinas, spas ou jacuzzis se faltar uma cobertura de sucção ou se estiver quebrada ou solta. Têm de ser fornecidas duas coberturas ou entradas de sucção para cada bomba, para se evitar o apresamento por sucção.

2. DIAGRAMA DE INSTALAÇÃO TÍPICA



3. ESPECIFICAÇÃO DE DESEMPENHOS

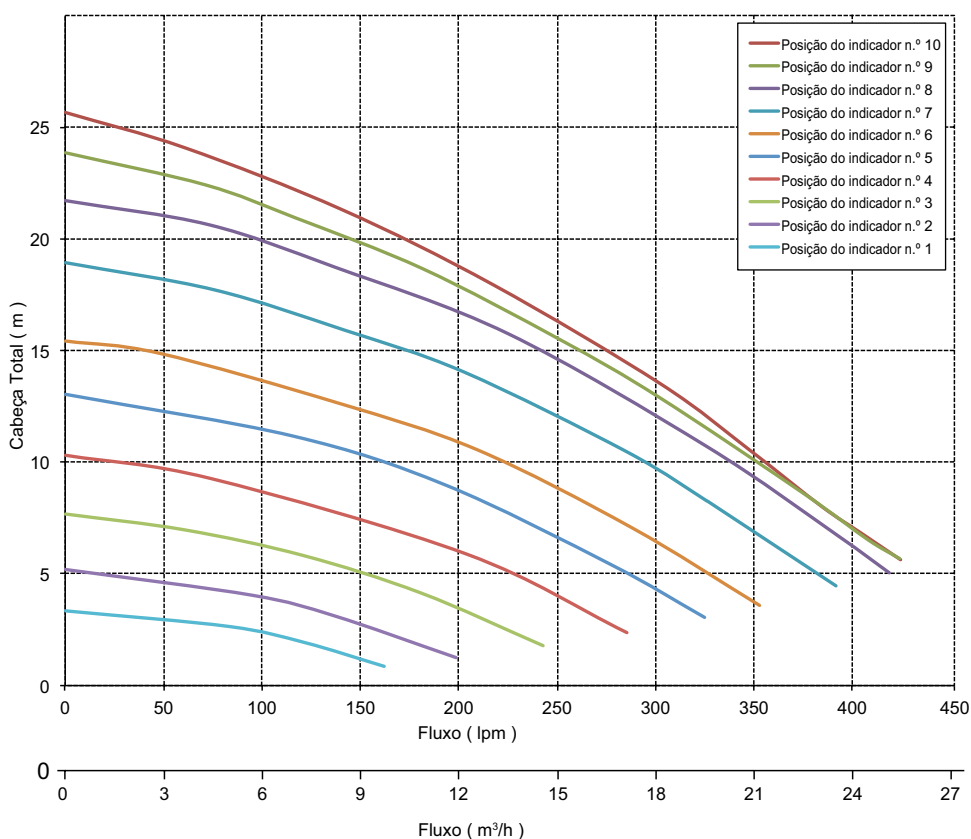
Desempenho hidráulico da SP200BT



Especificações elétricas da SP200BT

Velocidade Definição	Melhor ponto de eficiência							Máximo						
	Fluxo		Cabeça m	Potência de entrada (P ₁)		Potência de saída (P ₂)		Flow		Head m	Input power (P ₁)		Output power (P ₂)	
	L/min	m ³ /h		hp	W	hp	W	L/min	m ³ /h		hp	W	hp	W
Dial 1	85	5.1	3	0.16	123	0.11	86	155	9.3	4	0.17	128	0.12	90
Dial 2	100	6.0	4	0.26	193	0.18	135	187	11.2	6	0.28	207	0.19	145
Dial 3	125	7.5	5	0.38	283	0.26	198	217	13.0	7	0.39	293	0.27	205
Dial 4	143	8.6	6	0.51	383	0.36	268	246	14.8	10	0.53	398	0.37	279
Dial 5	155	9.3	8	0.66	495	0.46	347	272	16.3	12	0.70	524	0.49	367
Dial 6	160	9.6	10	0.82	612	0.57	428	297	17.8	14	0.87	655	0.61	459
Dial 7	183	11.0	11	1.02	766	0.71	536	322	19.3	16	1.08	807	0.75	565
Dial 8	195	11.7	12	1.17	880	0.82	616	339	20.3	17	1.25	936	0.87	655
Dial 9	207	12.4	13	1.36	1,017	0.95	712	358	21.5	19	1.44	1,078	1.01	755
Dial 10	210	12.6	14	1.45	1,090	1.02	763	363	21.8	20	1.48	1,111	1.04	778

Desempenho hidráulico da SP400BT



Especificações elétricas da SP400BT

Velocidade Definição	Melhor ponto de eficiência							Máximo						
	Fluxo		Cabeça m	Potência de entrada (P ₁)		Potência de saída (P ₂)		Flow		Head m	Input power (P ₁)		Output power (P ₂)	
	L/min	m ³ /h		hp	W	hp	W	L/min	m ³ /h		hp	W	hp	W
Dial 1	98	5.9	2	0.16	117	0.11	82	160	9.6	3	0.17	126	0.12	88
Dial 2	112	6.7	4	0.26	192	0.18	134	197	11.8	5	0.28	210	0.20	147
Dial 3	140	8.4	5	0.42	316	0.29	221	240	14.4	8	0.46	347	0.32	243
Dial 4	165	9.9	7	0.62	468	0.44	328	282	16.9	10	0.70	522	0.49	366
Dial 5	190	11.4	9	0.88	660	0.62	462	322	19.3	13	0.97	728	0.68	509
Dial 6	200	12.0	11	1.09	817	0.76	572	349	21.0	15	1.22	912	0.85	638
Dial 7	225	13.5	13	1.44	1,080	1.01	756	388	23.3	19	1.61	1,211	1.13	848
Dial 8	240	14.4	15	1.77	1,330	1.24	931	414	24.9	22	1.97	1,478	1.38	1,034
Dial 9	250	15.0	16	1.99	1,495	1.40	1,047	420	25.2	24	2.18	1,636	1.53	1,145
Dial 10	260	15.6	16	2.16	1,620	1.51	1,134	420	25.2	26	2.19	1,639	1.53	1,147

4. MANUAL DO PROPRIETÁRIO

Esta SilensorPRO tem capacidade para Bluetooth, pelo que poderá definir e controlar as funções da bomba a partir do seu dispositivo inteligente. Bluetooth é um protocolo de comunicação sem fios que permite a comunicação entre dispositivos. Esta função é suportada por qualquer dispositivo que possa descarregar uma aplicação da IOS ou Android App Store.

Leia estas instruções na íntegra antes de ligar esta bomba. Se tiver dúvidas quanto a qualquer uma destas instruções, por favor, contacte a Davey para o número indicado no verso deste documento.

Cada SilensorPRO é exaustivamente testada na água com base em numerosos parâmetros de caudal, pressão, tensão, corrente e mecânicos. A avançada tecnologia de fabrico de bombas da Davey proporciona um desempenho fiável, eficiente e de longa duração da bombagem.

Poupança de energia com a sua SilensorPRO

A bomba de velocidade variável da Davey é uma bomba super eficiente que utiliza um motor de CA inteligente, de última geração e infinitamente variável, que emite níveis de ruído e gases com efeito de estufa mais reduzidos e implica custos de operação mais baixos do que as bombas de piscina tradicionais.

Devido à sua capacidade de funcionar a velocidades mais baixas do que as bombas convencionais, a sua bomba também sofrerá menos uso e desgaste mecânico devido à menor pressão exercida nos componentes mecânicos internos. É fácil alcançar uma operação de bombagem eficiente em termos energéticos. Basta pôr a bomba de filtragem a funcionar a uma velocidade mais baixa, mas durante mais tempo do que as bombas de velocidade fixa convencionais, de modo a “fazer circular” a água da piscina para uma filtragem e higienização adequadas. O resultado é um consumo energético inferior e uma redução de até 70% nos custos operacionais.

A SilensorPRO tem definições de velocidade ajustáveis, o que lhe permite variar a velocidade a que faz circular a água da sua piscina ou spa. As velocidades podem ser ajustadas de acordo com a alimentação de um aspirador de piscina, sistema de limpeza no solo e aquecedores de piscina. Pode ser selecionada uma definição de contracorrente na bomba para efetuar a retrolavagem de um filtro de suporte.

O que esperar com a SilensorPRO (operação eficiente em termos energéticos) na sua piscina:

- Se a sua bomba SilensorPRO estiver a substituir uma bomba de motor CA tradicional, pode ter de a deixar a funcionar durante mais tempo do que a sua antiga bomba de velocidade fixa. Esta situação é NORMAL e ajuda-o ao poupar energia quando utilizar definições de velocidades inferiores.
- Também pode notar que o manómetro do filtro indica uma pressão muito mais baixa do que está habituado. Isto também é NORMAL. A pressão de sistema mais baixa é simplesmente resultado da redução da velocidade e taxa de caudal produzidos pela bomba.
- Durante o funcionamento a definições de velocidade mais baixas, também irá notar uma redução significativa no ruído emitido pela bomba. Esta é uma grande vantagem para si, já que lhe permite pôr a funcionar a sua SilensorPRO fora das horas de pico do consumo elétrico, o que também ajuda a reduzir os seus custos de operação. Além disso, terá vizinhos muito mais felizes.

Muitos produtos para piscina baseiam-se em taxas de caudal mínimas para uma melhor operação e/ou eficiência. Se estiver a utilizar definições de baixo caudal na SilensorPRO (ex., velocidade 1 a 4), a Davey recomenda-lhe que verifique a compatibilidade da velocidade ou a taxa de caudal mínima necessária para pôr a funcionar equipamento específico da piscina, como:

- Aspiradores de piscina;
- Geradores de ozono;
- Sistemas de aquecimento;
- Células do clorador de água salgada;
- Sistemas de limpeza no solo da piscina.

Lista de controlo pré-arranque

- A definição de velocidade escolhida é uma definição compatível com outro equipamento da piscina;
- A bomba está instalada num ambiente seguro e seco;
- O suporte da bomba tem um sistema de drenagem adequado em caso de fuga;
- Todas as fichas de transporte são removidas;
- A canalização está corretamente vedada e apoiada;
- A bomba foi corretamente preparada;
- A fonte de alimentação está corretamente ligada;
- Foram tomadas todas as medidas para um funcionamento seguro;
- O filtro foi instalado com um tubo de 50/63mm;
- As definições de programação (app) correspondem a quaisquer outros itens do sistema.

Funcionamento com baixo consumo de energia

A sua SilensorPRO SP200BT tem definições de velocidade de 1,500 a 3,600rpm. A SilensorPRO SP400BT tem definições de velocidade de 1,050 a 3,100rpm. Sendo a velocidade 1 a mais baixa e 10 a mais alta.

- A velocidade 1 permite a velocidade mais baixa e, consequentemente, a máxima eficácia e poupança energéticas.

Operação	Definição de Velocidade Recomendada
Retrolavagem do filtro de suporte	Velocidade da Contracorrente
Filtragem da Piscina	Velocidade 1 a 4
Funcionamento do aspirador da piscina	Velocidade 5 a 8
Limpeza manual da piscina	Velocidade 9 a 10
Operação da Função Água	
Funcionamento do Spa Jet	
Sistemas de limpeza no solo da piscina	
Aquecimento solar da piscina	

Diretrizes para as horas de funcionamento recomendadas para a bomba

A taxa de rotação para uma piscina residencial típica deve é uma taxa de rotação única do volume total da água da piscina, no período diário em que a a bomba funcionaria normalmente. A tabela em baixo fornece um guia apenas para as horas de funcionamento da sua bomba enquanto estiver no modo de filtragem, a fim de alcançar a taxa de rotação mínima:

SilensorPRO SP200BT

Tamanho da piscina (Litros)	Definição de Velocidade (horas)		
	Velocidade 1	Velocidade 5	Velocidade 10
20.000	3,3	1,7	1,1
30.000	5,0	2,5	1,7
40.000	6,7	3,3	2,2
50.000	8,3	4,2	2,8
60.000	10,0	5,0	3,3
80.000	13,3	6,7	4,4
100.000	16,7	8,3	5,6

SilensorPRO SP400BT

Tamanho da piscina (Litros)	Definição de Velocidade (horas)		
	Velocidade 1	Velocidade 5	Velocidade 10
20.000	2,4	1,3	0,9
30.000	3,7	2,0	1,4
40.000	4,9	2,7	1,9
50.000	6,1	3,3	2,3
60.000	7,4	4,0	2,8
80.000	9,8	5,3	3,8
100.000	12,3	6,7	4,7



Nos termos da norma EN60335.1, somos obrigados a informá-lo de que este aparelho pode ser utilizado por crianças com idades acima dos 8 anos e por pessoas com capacidades físicas, sensoriais ou mentais reduzidas, ou com falta de experiência e conhecimento, se tiverem recebido supervisão ou instruções sobre a utilização do aparelho de uma forma segura e compreendam os perigos envolvidos. As crianças devem ser vigiadas para assegurar que não brincam com o aparelho.

Esvaziar o cesto do filtro

O cesto do filtro deve ser inspecionado frequentemente através da tampa transparente e esvaziado quando for evidente uma acumulação de sujidade. As instruções abaixo devem ser seguidas.

- Desligue a bomba e retire a ficha da fonte de alimentação;
- Desparafuse a tampa do cesto do filtro no sentido contrário ao dos ponteiros do relógio e remova-a;
- Remova a tampa do cesto do filtro levantando-a e retirando-a do suporte;
- Esvazie os detritos acumulados no cesto. Lave-os com uma mangueira, se necessário.



NOTA: NUNCA bata com o cesto de plástico numa superfície dura, pois pode causar danos.

- Verifique se o cesto do filtro tem rachas e substitua-o na bomba se estiver danificado;
- Substitua a tampa e certifique-se de que fica hermeticamente fechada no grande o-ring de borracha. É forçoso apertá-la manualmente com firmeza. O O-ring & o fio podem ser lubrificados com Hydra slip ou produtos equivalentes.



Qualquer falha de cumprimento da manutenção regular pode causar danos não abrangidos pela garantia.

Manutenção de rotina

Para maximizar a vida útil do SilensorPRO, e para segurança pessoal, utilize esta lista de verificação uma vez por semana. Certifique-se de que bomba está desligada antes de arrancar e removida da fonte de alimentação:

- Certifique-se de que os manómetros estão a funcionar devidamente e que a pressão operacional se encontra dentro dos limites conforme especificados no produto;
- Certifique-se de que cada entrada de sucção e o dreno principal tem uma cobertura que está firmemente ligada e em condições de funcionamento seguras.
- Certifique-se de que todas as coberturas dos skimmers estão firmemente ligadas e em condições de funcionamento seguras. Estas devem ser substituídas de 3 em 3 ou de 4 em 4 anos;
- Remova quaisquer obstruções ou detritos da cobertura do dreno principal;
- Certifique-se de que os cestos do skimmer e da bomba não contêm folhas e detritos, pelo menos, uma vez por semana;
- Remova quaisquer obstruções e materiais combustíveis que possam existir em redor do motor da bomba;
- Certifique-se de que todas as ligações elétricas estão limpas e que todos os cabos e equipamentos elétricos estão em boas condições. As ligações danificadas devem ser reparadas ou substituídas por um eletricista credenciado logo que os danos sejam detetados;
- Verifique o equilíbrio da água e os níveis do desinfetante na sua loja local de produtos para piscina.

5. CARACTERÍSTICAS E FUNCIONALIDADE

A SilensorPRO tem várias características operacionais. Segue-se uma explicação das mesmas.

Indicador luminoso LED multicolorido

Utilizado para identificar definições necessárias referentes ao tempo e avisos de programação do ciclo da velocidade máxima (Impulso):

- Verde sólido = Operação de marcação normal
- Verde com intermitência lenta = No modo de contracorrente
- Verde com intermitência rápida = Controlo externo AUX
- Branco Sólido = Hora de Executar a Retrolavagem
- Branco com intermitência rápida = Falha detetada - redefinir bomba
- Azul com intermitência lenta = Operado por Bluetooth
- Azul sólido = Modo Bluetooth

Tecnologia de ciclos de velocidade da contracorrente

Quando se encontra em modo de retrolavagem, a SilensorPRO entra em ciclo entre uma velocidade baixa e alta para ajudar a agitar o suporte do filtro para uma limpeza mais eficaz. Esta ação reduz a água desperdiçada e os químicos durante o processo dos ciclos de retrolavagem.

Unidade de frequência variável completa com marcação rápida selecionável amiga do utilizador

- Permite uma seleção fácil da velocidade de filtragem pretendida
- Sem controlos digitais complicados por botões de pressão

Recipiente grande de 4,5 litros para detritos

- Permite intervalos maiores entre limpezas

Design patenteado de refrigeração a água para uma operação contínua e super silenciosa

A SilensorPRO tem uma membrana e camisa refrigerada a água à volta do motor que ajuda a bomba a arrefecer durante o funcionamento. O calor residual que sai do motor é transferido para a água da piscina, ajudando a reduzir os custos energéticos de aquecimento da piscina.

Compensação de caudal/velocidade contante da SP400BT

À medida que o filtro da piscina fica sujo, vai-se acumulando pressão. Com uma bomba típica de piscina, isto abrandaria naturalmente o caudal que passa pelo sistema. A SilensorPRO tem inteligência para detetar automaticamente a resistência aplicada por um filtro e compensar lentamente a redução de caudal, aumentando a velocidade do motor. O resultado é o caudal permanecer constante entre limpezas de filtros.

Quando a SilensorPRO detetar que o aumento de velocidade indica a hora da retrolavagem do filtro, o indicador LED mostrará um visor branco sólido (consulte o item supra).

Porta de comunicações RJ45 hermética da SP400BT (consulte a secção 7 para ver os detalhes da ligação)

- Para comunicação e ligação a sistemas de controlo de piscinas externos
- Para receber um sinal de uma bomba de aquecimento, ou aquecedor a gás para aumentar a velocidade da SilensorPRO até ao valor máximo durante o processo de aquecimento
- Diagnósticos de assistência e atualizações de software (apenas para utilização pela Davey)

6. FUNCIONALIDADE DO BLUETOOTH

Configuração da aplicação Bluetooth

- Abra a aplicação “App Store” que está disponível no seu dispositivo.
- Procure “Davey Pool Pump”(“Bomba de Piscina Davey”)
- Instale a aplicação no seu dispositivo.



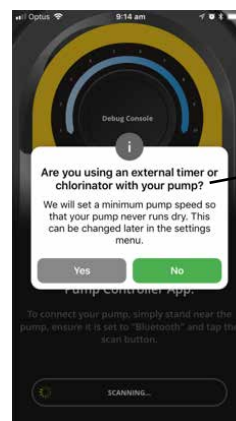
A aplicação pode ser instalada em todos os dispositivos pretendidos, mas apenas um deles pode controlar a bomba em determinado momento. O idioma e a hora da aplicação são os mesmos da definição do seu dispositivo. As unidades de medida assumem imediatamente as predefinições das unidades regionais do seu dispositivo, mas pode optar entre Litros, Galões ou m³/hr.

Emparelhamento de um dispositivo à bomba

- Abra a aplicação no seu dispositivo inteligente.
- Mude o marcador da bomba de “off” para “Bluetooth” e verá o LED branco intermitente durante um segundo.
- No seu dispositivo, prima o botão de ligação.
- APENAS quando estiver a efetuar a configuração pela primeira vez, seleccione “YES” (“SIM”) para permitir a localização.
- Por favor, tenha em atenção que, da primeira vez que os dispositivos são emparelhados, existe um limite de tempo de 2 minutos para o fazer antes de o procedimento ter de ser repetido.

Temporizador externo / clorador

Aparece uma janela sobreposta a perguntar-lhe se está a utilizar um temporizador externo ou clorador, para controlar a SilensorPRO. For favor, seleccione “sim”, “não”. Esta é uma função de segurança que ajuda a assegurar que o clorador só funciona quando a bomba está a funcionar.



Esta janela emergente mostrará

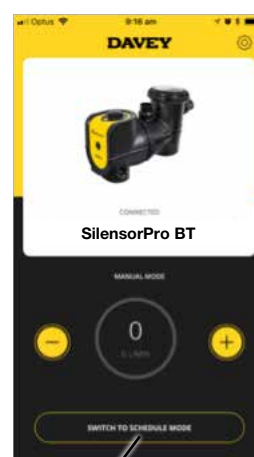
Nota: As imagens de ecrã da aplicação destinam-se apenas a fins de demonstração. Os ecrãs reais podem variar.

Modo manual ou programado

Estão disponíveis dois modos, dependendo se pretende operar manualmente a SilensorPRO ou, como alternativa, criar uma programação da operação.

Modo manual

- Se estiver no modo de programação, prima “mudar para o modo manual”
- A aplicação estará em modo manual e pode ajustar manualmente a velocidade premindo os botões (+/ -).
- No modo manual, a SilensorPRO funcionará à velocidade definida, mesmo que o telefone esteja fora do alcance.
- Sempre que o marcador for mudado para a posição Bluetooth, ela funcionará à velocidade anterior após o ciclo de preparação.



Para mudar entre o modo manual ou de programação, pode premir este botão.

Modo de programação

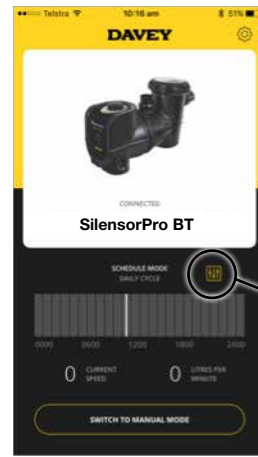
- Existem duas opções (definir um ciclo diário ou semanal), basta premir a caixa correspondente.
- Esta opção permite-lhe criar uma “programação diária” standard, que fará a bomba operar diariamente de forma consistente nos níveis definidos;

Existem duas opções (definir um ciclo diário ou semanal), basta premir a caixa correspondente. Esta opção permite-lhe criar uma “programação diária” standard, que fará a bomba operar diariamente de forma consistente nos níveis definidos

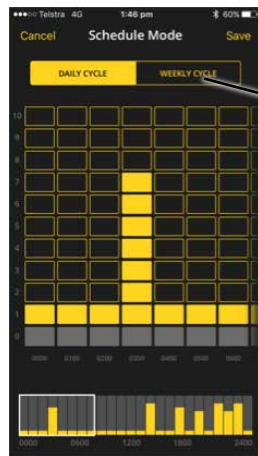
- A opção “ciclo semanal” pode ser definida para toda a semana, dando-lhe a possibilidade de alterar diariamente os ciclos da bomba, dependendo das condições climáticas, do número de banhistas, etc.

Definição de uma programação

- Selecione a caixa correspondente à hora em que pretende que a bomba funcione;
- Selecione a definição de velocidade em que pretende que a bomba funcione em qualquer momento. Nota: As definições da bomba (1-10) referem-se à velocidade de operação da bomba, da mais baixa à mais alta;
- Quando estiver satisfeito com a programação, selecione “Save” (“Guardar”). As comunicações entre o dispositivo e a bomba podem demorar até 20 segundos, dependendo da programação selecionada;
- A fila na parte inferior do ecrã indica um resumo do ponto em que se encontra a programação por dia e hora. Este ecrã de resumo pode ser facilmente alterado deslizando para cima ou para baixo as colunas em cima;
- **Nota:** Se utilizar um clorador, tem de assegurar que as horas em que a bomba está “ligada” correspondem às horas em que está “ligada” no clorador. A bomba permanecerá no último modo utilizado, quer seja o modo manual ou programado.



Selecione a edição das definições de programação



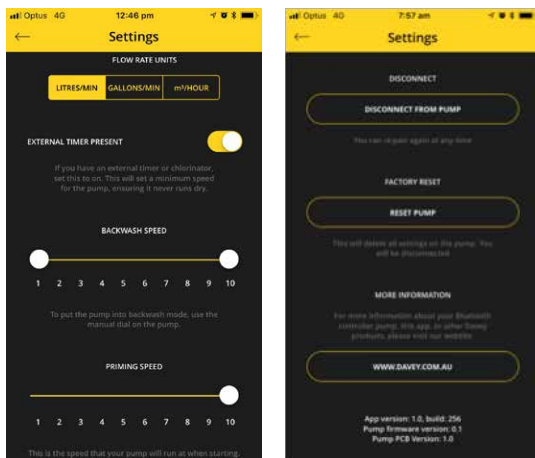
Selecione se pretende o ciclo diário ou semanal.

Definições

Para alterar as definições de configuração, clique no ícone de definições:



Assim, visualizará os seguintes ecrãs (desloque o ecrã para baixo para ver todas as informações).



Velocidade de preparação / velocidade máx

Sempre que a sua bomba arranca, passa por 2 minutos de preparação, para assegurar que existe água no sistema. Pode ajustar a velocidade a que ela executa esta operação entre 5 e 10. A velocidade que definir limitará a velocidade máxima à qual a bomba funcionará no modo manual ou programado.

Retrolavagem

Pode ser definida como uma única velocidade, ou como alternativa, podem ser definidas duas velocidades e a velocidade da bomba “pulsará” entre as duas definições. A velocidade mínima pode ser definida entre 1-10 e a velocidade máxima só pode ser definida entre 5-10.

Hora externa presente

Ative ou desative esta opção, consoante esteja a utilizar ou não um temporizador externo / clorador.

Função desligar

A função “desligar da bomba” pode ser utilizada para:

- Permitir que outro dispositivo controle a bomba;
- Desligar de modo a impedir que ligue a bomba automaticamente;
- Por favor, note que a ligação Bluetooth desligar-se-á automaticamente após um minuto sem comunicação.

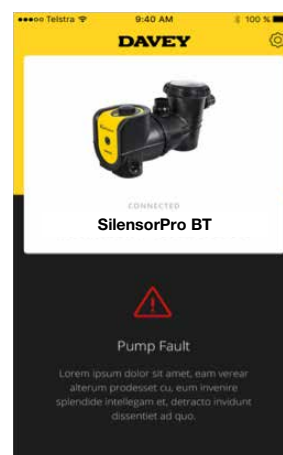
Reposição dos valores de fábrica

Esta opção reporá as configurações de fábrica da bomba e permite-lhe reiniciar o processo de configuração.

- Selecione “reset pump” (“redefinir bomba”);
- Rode o marcador para a posição “desligado” e, em seguida, para “Bluetooth”;
- Em seguida, pode emparelhá-lo com o seu telemóvel. Este procedimento é aplicado para que a bomba não possa ser redefinida acidentalmente.

Deteção de falha da bomba

Na eventualidade de ocorrer uma falha, será apresentado o seguinte ecrã, com uma descrição de texto abaixo da falha, a indicar como resolvê-la.



Título da falha	Descrição da falha
Falha da bomba – sobretensão	Verifique se o motor pode rodar livremente. Desligue-o por 1 minuto e volte a ligá-lo para reiniciar. Se o problema persistir, contacte a Davey ou um agente de reparações autorizado.
Falha da bomba – subtensão	Problema da tensão de alimentação. Quando a alimentação for reposta no valor normal, desligue-a por 1 minuto e volte a ligá-la para reiniciar.
Falha da bomba – temperatura excessiva	A bomba está quente demais. Verifique a temperatura ambiente. Defina a velocidade mais baixa possível se a temperatura ambiente for demasiado elevada.
Falha da bomba – motor parado	Verifique se o motor pode rodar livremente. Desligue-o por 1 minuto e volte a ligá-lo para reiniciar.
Falha da bomba – subcarga/perda da preparação	Verifique se existe água suficiente dentro da bomba. Desligue-a por 1 minuto e volte a ligá-la para reiniciar. Se o problema persistir, contacte a Davey ou um agente de reparações autorizado.

<p>Falha da bomba – temperatura excessiva no motor; ou</p> <p>Falha da bomba – sobretensão; ou</p> <p>Falha da bomba – falha da ligação à terra; ou</p> <p>Falha da bomba – falha do sistema; ou</p> <p>Falha da bomba – falha da fase de saída; ou</p> <p>Falha da bomba – sobrecarga de corrente; ou</p> <p>Falha de bomba – some de controlo de EEPROM; ou</p> <p>Falha da bomba – erro do dispositivo de fiscalização; ou</p> <p>Falha da bomba – proteção traseira do EFM; ou</p> <p>Falha da bomba – falha do termistor; ou</p> <p>Falha da bomba – binário de segurança desligado; ou</p> <p>Falha da bomba – comunicação do bus interno; ou</p> <p>Falha da bomba – erro da aplicação; ou</p> <p>Falha da bomba – temperatura elevada do IGBT; ou</p> <p>Falha da bomba – Falha da entrada analógica de 4mA; ou</p> <p>Falha da bomba – falha externa; ou</p> <p>Falha da bomba – erro de comunicação do teclado; ou</p> <p>Falha da bomba – erro de comunicação do fieldbus; ou</p> <p>Falha da bomba – erro de interface do fieldbus.</p>	<p>Desligue-o por 1 minuto e volte a ligá-lo para reiniciar. Se o problema persistir, contacte a Davey ou um agente de reparações autorizado.</p>
---	---

7. CONFIGURAÇÃO AVANÇADA DA SP400BT

Descrição geral das ligações AUX externas

A sua SilensorPRO SP400BT tem uma tomada hermética estilo RJ45 para permitir o controlo externo da velocidade do motor e outras funcionalidades. Pode ser utilizado um cabo de rede RJ45 standard (sem conector).



Figura 7.1 Ficha RJ45 instalada na caixa (da retaguarda)

É recomendável manter o comprimento do cabo entre a bomba e o controlador ou aquecedor externo da piscina o mais curto possível. Existem duas configurações de pinos principais, conforme mostrado em baixo:

SAÍDA DE PINOS RJ45

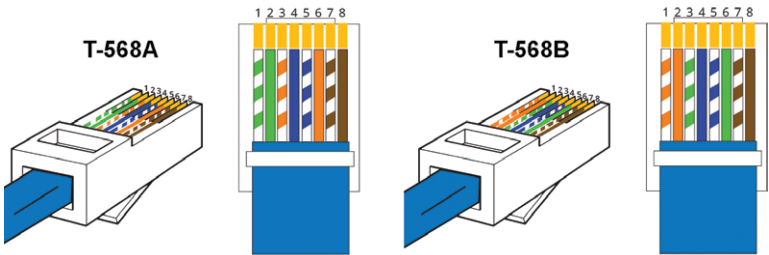


Figura 7.2: Conexões de pinos RJ45

Pino	Função	T-568A	T-568B
1	RS485 +ve	Verde/branca	Laranja/branca
2	RS485 -ve	Verde	Laranja
3	Entrada digital 3	Laranja/branca	Verde/branca
4	Entrada analógica	Azul	Azul
5	Ligação à terra CC de 0V	Azul/branca	Azul/Branca
6	Entrada digital 2	Laranja	Verde
7	Entrada digital 1	Castanha/branca	Castanha/branca
8	24V	Castanha	Castanha

Verifique se o cabo que está a utilizar tem os pinos de codificação coloridos conforme mostrado em cima, de 1 a 8. Se já tiver sido utilizada uma codificação colorida alternativa, certifique-se de que registou a cor a que corresponde cada pino, para evitar ligações incorretas no controlador ou aquecedor da piscina. Se for utilizado um cabo alternativo, certifique-se de que a entrada analógica e a ligação à terra são um par entrançado.

A ligação de 24V só deve ser utilizada como referência para as entradas digitais – NÃO alimente equipamento externo a partir desta calha de alimentação.

Entradas de controlo digital

As 3 entradas digitais permitem a substituição da definição da velocidade de marcação. Para definir uma destas entradas, pode optar por:

- Ligue uma fonte de 24V isolada entre a ligação à terra CC e o pino da entrada digital
- Ligue os contactos comutados de um relé entre o pino de 24V e a entrada digital

As velocidades fixas (como uma proporção da velocidade total) são:

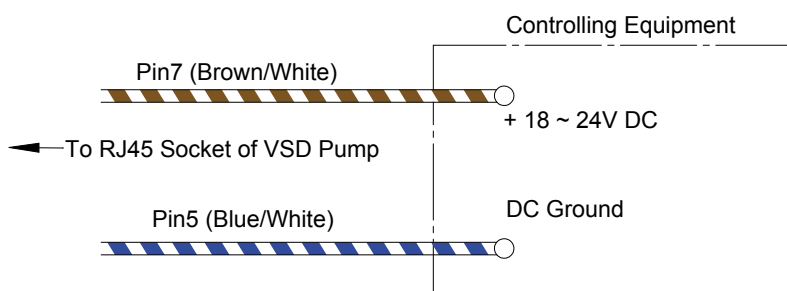
Entrada 1 (Pino 7)	Entrada 2 (Pino 6)	Entrada 3 (Pino 3)	Velocidade de Saída
0	0	0	Marcador
0	0	24V	33%
0	24V	0	50%
0	24V	24V	Retrolavagem
24V	0	0	100%
24V	0	24V	67%
24V	24V	0	83%

Equipamento de interface para a SilensorPRO SP400BT

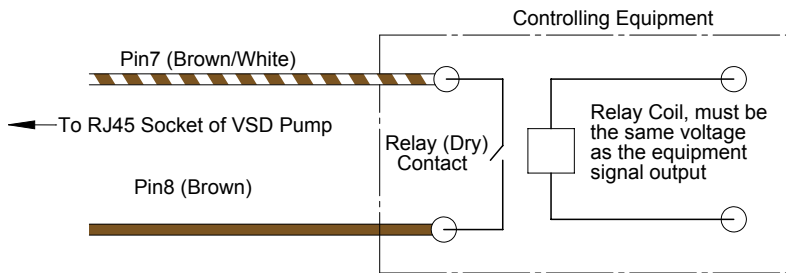


AVISO! É necessário um electricista qualificado para levar a cabo o trabalho mostrado a seguir.

A SilensorPRO SP400BT pode ser controlada por outro equipamento para a ligar numa velocidade elevada (ou qualquer outra velocidade pré-definida, consulte a secção 8 para ver detalhes). Esta vantagem permite atingir a máxima eficácia, por exemplo, quando utiliza um aquecedor a gás ou uma bomba de aquecimento. Se o equipamento tiver uma saída de sinal CC isolada de 18- 24V isolada, basta ligar o pino 7 ao polo positivo CC de 24V e o pino 5 à ligação à terra CC, conforme mostrado no seguinte diagrama:



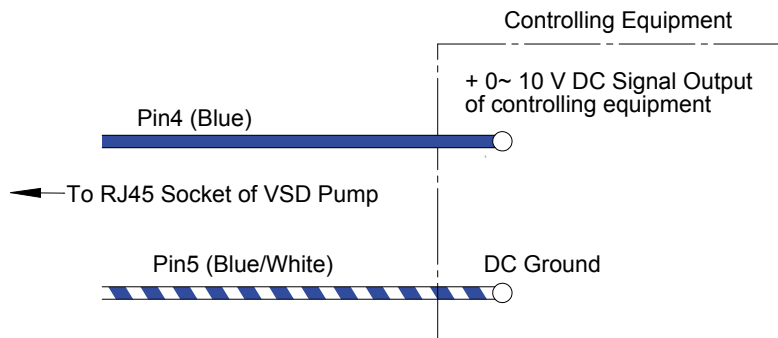
Se o equipamento de controlo não tiver uma saída de tensão CC de 18-24V conforme mostrada em cima, mas tiver uma saída de sinal CA de 24V, CA de 230V, CA de 12V ou CC de 12V, etc., pode ser utilizado um relé adequado (a tensão da bobina tem de ser igual à tensão da saída de sinal do equipamento de controlo) para executar esta operação conforme mencionada em cima e mostrada no seguinte diagrama:



Se o equipamento de controlo já tiver a saída do relé (contacto seco) para fins de controlo, não é necessário um relé adicional, basta ligar o Pino 7 (Castanho/Branco) e o Pino 8 (Castanho) aos contactos secos conforme mostrado na parte à esquerda do diagrama supra.

Entradas de controlo analógico

O controlo de velocidade também pode ser alcançado ligando-se um sinal CC de 0-10V à entrada do pino 4 (ligação à terra no pino 5). Logo que seja registado um sinal superior 0V, esta saída toma prioridade sobre as definições de marcação. Por exemplo, uma CC de 10V alterará a velocidade da bomba para 100%, uma CC de 5V alterará a velocidade da bomba para 50%, etc.



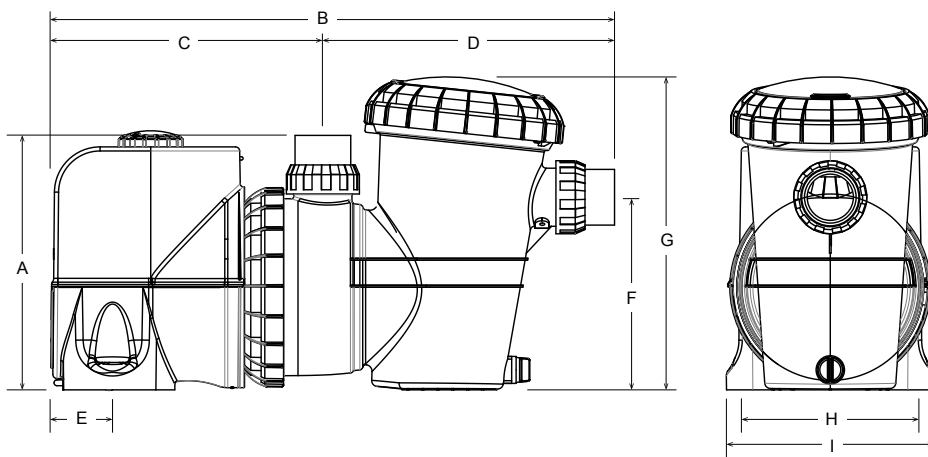
8. ESPECIFICAÇÕES TÉCNICAS

Modelo	SP200BT	SP400BT
Tam máx da cabeça (m)	20	26
RPM	Velocidade 1 – 10: 1,500 – 3,600	Velocidade 1 – 10: 1,050 – 3,100
	Velocidade da retrolavagem: variável	
Classe do cárter (IP)	45	
Classe de isolamento	F	
Tensão (V)	220 – 240VAC	
Freq de alimentação (Hz)	50/60 Hz	
Potência máxima de entrada: (W)	Velocidade 1: 128	Velocidade 1: 126
	Velocidade 5: 524	Velocidade 5: 728
	Velocidade 10: 1.111	Velocidade 10: 1.639
	Velocidade da retrolavagem: variável	

Limites Operativos

Temperatura máx da água:	40°C	40°C
Temperatura máx ambiente:	50°C	50°C

Dimensões



A	B	C	D	E	F	G	H	I	Diâmetro dos Orifícios de Montagem	Entrada/Saída PVC	Peso líquido (kg)
305mm	670mm	320mm	350mm	65mm	230mm	380mm	200mm	250mm	10mm	50/63	14

9. UTILIZAÇÃO DA SUA SILENSORPRO COM UM CLORADOR DE ÁGUA SALGADA

Os cloradores requerem um caudal mínimo através da célula do clorador para aumentar a eficácia e a vida da célula. Por favor, consulte o manual do clorador como referência para ver o caudal necessário ao sistema da sua piscina. Certifique-se de que o caudal é suficiente para cobrir completamente as placas da célula do seu clorador durante toda a operação.

10. UTILIZAÇÃO DO ASPIRADOR DA PISCINA

Antes de instalar ou comprar um dispositivo de limpeza da piscina para utilizar com a sua SilensorPRO, é importante saber os caudais mínimos de que ele necessita para funcionar eficientemente.

Para utilizar um aspirador de piscina:

- Ative a definição de Caudal Alto (10) e permita que a bomba efetue a preparação completa, deixando-a funcionar durante cerca de 2 minutos. Saberá que a bomba está preparada quando conseguir ver um forte caudal de água através da tampa transparente do filtro de folhas.
- Quando todo o ar for expelido do cesto de folhas, ligue a mangueira do aspirador da piscina firmemente à placa do skimmer ou dispositivo de sucção dedicado na parede.
- Selecione a definição de velocidade que permita o melhor desempenho do seu aspirador de piscina. As velocidades 3 a 7 devem ser amplas o suficiente para a maioria dos aspiradores mas, se o aspirador exigir um melhor desempenho, selecione as velocidades 7 a 10.
- O aspirador só deve ser ligado enquanto for necessário para limpar a superfície da piscina. Quando a limpeza estiver concluída, desligue o aspirador e remova a paca do skimmer da respetiva caixa.
- Reative a definição de velocidade mais eficiente para a filtragem diária. São recomendáveis as velocidades entre 1 e 4.



NOTA: Para obter a máxima eficácia energética da sua SilensorPRO, NÃO mantenha o aspirador da piscina ligado quando não for necessário limpar a piscina.



NOTA: Se a SilensorPRO estiver ligada por fios a um temporizador ou a outro controlo automático, os fios devem ser removidos por um técnico qualificado.

- Feche as válvulas de água no tubo de retorno da piscina e na canalização de entrada da SilensorPRO;
- Remova os conetores cilíndricos de descarga e sucção, tendo o cuidado de não perder os O-rings.
- Mova a canalização com os conetores cilíndricos ligados até a SilensorPRO poder ser puxada sem esforço.



NOTA: Quando expuser as suas dúvidas acerca da sua SilensorPRO, não se esqueça de referir o número do modelo inscrito na placa identificativa localizada no motor.

11. RESOLUÇÃO DE PROBLEMAS

Se a bomba funcionar, mas não existir caudal de água, ou existir um caudal reduzido, podem aplicar-se as seguintes condições:

- O filtro requer uma retrolavagem ou está bloqueado. Consulte a secção relevante do Manual do Filtro.
- A bomba não foi preparada. Volte a preparar a bomba conforme as instruções da secção 'Arranque da bomba';
- Existem fugas de ar na tubagem de sucção. Verifique todas as tubagens e elimine as fugas, verificando também se existe alguma tampa do cesto do filtro solta. Bolhas de ar no caudal de água que volta para a piscina indicariam uma fuga na sucção para a bomba, permitindo a entrada de ar na canalização.
- Uma fuga no vedante do eixo da bomba também pode impedir a operação. Uma evidência desta situação seria água no chão debaixo da bomba.
- A bomba não consegue extrair água da piscina. Verifique se as válvulas para a bomba estão totalmente abertas e se o nível de água da piscina chega à caixa do skimmer. Normalmente, é suficiente quando atinge metade da face da caixa do skimmer;
- Bloqueio na tubagem ou na bomba. Remova o cesto do filtro e verifique se existe algum bloqueio na entrada da turbina da bomba. Verifique se existe algum bloqueio na caixa do skimmer.

Se a bomba não funcionar, podem aplicar-se as seguintes condições:

- A alimentação não está ligada. Apenas para 220-240 volts, verifique a tomada de corrente ligando um aparelho portátil, para garantir que a alimentação está disponível. Verifique também os fusíveis e o interruptor da fonte de alimentação principal;
- A sobrecarga automática disparou. A bomba tem uma sobrecarga térmica integrada, que é automaticamente redefinida após o motor ter arrefecido a seguir a um período de sobreaquecimento. Determine a causa do disparo da sobrecarga e retifique. Redefina a bomba desligando a alimentação durante 30 segundos;
- Um bloqueio está a impedir a bomba de rodar.

12. REMOÇÃO DA SILENSORPRO DA CANALIZAÇÃO

Caso seja necessário remover a SilensorPRO, siga estas instruções:

- Desligue a alimentação e remova a ficha da fonte de alimentação;
- Desaparafuse o conetor cilíndrico da parte frontal e superior da bomba, libertando-a da canalização;
- Retire a bomba, fazendo-a deslizar da posição original.

13. QUALIDADE DA ÁGUA

COMPOSIÇÃO QUÍMICA RECOMENDADA DA ÁGUA PISCINA

ÁGUA DA PISCINA EQUILÍBRIO	Cloro Livre (ppm)	pH	Alcalinidade Total TA (ppm)	Dureza do Cálcio (ppm)	Estabilizador – Ácido Cianúrico (ppm)
Leitura / Alcance Ideal	1 – 3	Piscinas de Betão e Mosaicos: 7,4-7,6 Outras Superfícies: 7,2-7,4	Piscina de Betão e Mosaicos – 80-120. Outras Superfícies – 125-150	Piscina de Betão e Mosaicos – 200-275. Outras Superfícies – 100-225	25 – 50
Para Aumentar	Aumentar a saída do clorador. Adicionar cloro. Aumentar o tempo de filtragem.	Adicionar um tampão ou Carbonato de Sódio	Adicionar Bicarbonato de Sódio	Adicionar Cloreto de Cálcio	Adicionar Ácido Cianúrico
Para Reduzir		Adicionar Ácido Muriático	Adicionar Ácido Muriático ou Ácido Seco	Drenar parcialmente e encher de novo a piscina com água de dureza inferior para diluir	Drenar parcialmente e encher de novo a piscina para diluir
Frequência dos Testes	Semanal	Semanal	Semanal	Semanal	Regularmente



Tarefas de Manutenção rotineiras – Para maximizar a vida útil do SilensorPRO, e para segurança pessoal, utilize esta lista de verificação uma vez por semana. Certifique-se de que bomba está desligada antes de arrancar e removida da fonte de alimentação:

- a. Certifique-se de que os manómetros estão a funcionar devidamente e que a pressão operacional se encontra dentro dos limites conforme especificados no produto.
- b. Certifique-se de que cada entrada de sucção e o dreno principal têm uma cobertura que está firmemente ligada e em condições de funcionamento seguras.
- c. Certifique-se de que todas as coberturas dos skimmers estão firmemente ligadas e em condições de funcionamento seguras. Estas devem ser substituídas de 3 em 3 ou de 4 em 4 anos.
- d. Remova quaisquer obstruções ou detritos da cobertura do dreno principal.
- e. Certifique-se de que os cestos dos skimmers e os recipientes para cabelos e lixo da bomba estão livres de folhas e detritos, pelo menos, uma vez por semana.
- f. Remova quaisquer obstruções e materiais combustíveis que possam existir em redor do motor da bomba.
- g. Certifique-se de que todas as ligações elétricas estão limpas e que todos os cabos e equipamentos elétricos estão em boas condições. As ligações danificadas devem ser reparadas ou substituídas por um electricista credenciado logo que os danos sejam detetados.
- h. Verifique o equilíbrio da água e os níveis do desinfetante na sua loja local de produtos para piscina.



AS LIGAÇÕES ELÉTRICAS E A CABLAGEM DEVEM SER LEVADAS A CABO POR UM ELETRICISTA AUTORIZADO.



PERIGO Sucção perigosa. Não bloqueie a entrada de água no sistema de filtragem em nenhuma parte do corpo, já que a pressão pode prender cabelos ou outras partes do corpo, podendo causar ferimentos graves ou a morte. Não bloqueie a sucção.

Desligue imediatamente a bomba se alguém ficar preso.

Não utilize, nem ponha a funcionar, piscinas, spas ou jacuzzis, se faltar uma cobertura de sucção ou se estiver quebrada ou solta. Têm de ser fornecidas duas coberturas e entradas de sucção para cada bomba, para se evitar o apresamento por sucção.



De acordo com a norma AS/NZS60335.2.41, somos obrigados a informá-lo de que este dispositivo não deve ser utilizado por crianças ou pessoas doentes, nem como brinquedo por crianças.



Precaução! Não adicione químicos diretamente ao skimmer da piscina. A adição de químicos não diluídos pode danificar a bomba e o filtro e anular a garantia.



CUIDADO! Certifique-se de que a bomba está instalada num local que evite a exposição a temperaturas negativas.

Garantia da Davey

Os Davey Water Products são fornecidos com garantias que não podem ser excluídas ao abrigo da Leis nacionais locais. Tem direito a receber uma peça de substituição ou um reembolso em caso de falha grave e uma indemnização por qualquer outra perda ou dano razoavelmente previsível. Também tem direito a solicitar a reparação ou substituição dos produtos caso não tenham uma qualidade aceitável e a falha não seja muito grave.

A Davey Water Products Pty Ltd (Davey) de 6 Lakeview Drive Scoresby VIC 3179 fornece a seguinte garantia relativamente a este produto. A Davey garante que, nos termos das exclusões e limitações a seguir, o produto está isento de defeitos de material e mão-de-obra durante um período de 24 meses a partir da data de compra (período de garantia).

Se surgir um defeito no produto antes do fim do período de garantia e a Davey considerar que o produto tem um defeito de material ou mão-de-obra, a Davey pode tomar uma das seguintes medidas, ao seu exclusivo critério:

1. substituir ou reparar o produto ou a peça com defeito do produto sem quaisquer encargos; ou
2. enviar o produto ou a peça com defeito do produto para reparação ou substituição por um técnico de reparação qualificado sem quaisquer encargos.

A Davey reserva-se o direito de substituir peças com defeito do produto por peças ou componentes de qualidade, nível e composição semelhante quando não estiver disponível uma peça ou componente idêntico. Os produtos enviados para reparação podem ser substituídos por produtos restaurados do mesmo tipo em vez de reparados.

Reivindicação da garantia:

1. Se ocorrer uma falha abrangida pela garantia, a Davey sugere, em primeiro lugar, que contacte o Representante Davey ao qual comprou o produto. Como alternativa, pode: ligar para a linha de Atendimento ao Cliente da Davey, para o número 1300 367 866 na Austrália, ou 0800 654 333 na Nova Zelândia; enviar uma carta por escrito à Davey para o endereço indicado em cima; ou envie um email para sales@davey.com.au.
2. Qualquer reivindicação da garantia deve ser acompanhada por uma prova de compra e pelos detalhes do defeito alegado.
3. Após a receção da sua queixa, a Davey procurará resolver as suas dificuldades ou, caso o produto tenha uma avaria o defeito, aconselhá-lo sobre como solicitar a reparação do seu produto ou obter uma substituição ou o reembolso do valor.
4. Esta garantia limita-se aos defeitos nos materiais ou mão-de-obra no produto e não abrange peças consumíveis ou a substituição de peças devido a um uso e desgaste normais.

Exclusões:

A garantia não se aplica quando:

1. O Produto tenha sido modificado, reparado ou assistido por qualquer pessoa não pertencente à Davey ou por um técnico de reparação não autorizado.
2. A Davey não consiga detetar nenhuma falha no produto após testá-lo.
3. O produto tenha sido utilizado para outro fim diferente daquele a que se destina.
4. O produto tenha sido sujeito a condições anormais, quer seja de temperatura, água, humidade, pressão, tensão ou semelhante.
5. O comprador tenha utilizado ou instalado peças e acessórios não genuínos ou não aprovados.
6. O defeito do Produto tenha surgido devido a utilização abusiva, incorreta, negligente ou acidental.
7. O defeito do Produto tenha surgido devido a falha do comprador em utilizar ou manter devidamente o produto.
8. O dano tenha sido causado pela utilização de produtos químicos e detergentes não aprovados pela Davey.

Caso o seu produto Davey requeira reparação ou assistência após o período de garantia, por favor, contacte o seu Representante Davey mais próximo, ou ligue ou envie um email para o Centro de Assistência a Clientes da Davey. Para obter uma lista completa dos Representantes Davey, visite o nosso website.

DAVEY

Davey Water Products Pty Ltd
Member of the GUD Group
ABN 18 066 327 517

daveywater.com

AUSTRALIA

Head Office

6 Lakeview Drive,
Scoresby, Australia 3179
Ph: 1300 232 839
Fax: 1300 369 119
Email: sales@davey.com.au

NEW ZEALAND

7 Rockridge Avenue,
Penrose, Auckland 1061
Ph: 0800 654 333
Fax: 0800 654 334
Email: sales@dwp.co.nz

EUROPE

7 rue Eugène Hénaff 69200
Vénissieux, France
Ph: +33 (0) 4 72 13 95 07
Fax: +33 (0) 4 72 33 64 57
Email: info@daveyeurope.eu

NORTH AMERICA

Ph: 1-888-755-8654
Email: info@daveyusa.com

MIDDLE EAST

Ph: +971 50 6368764
Fax: +971 6 5730472
Email: info@daveyuae.com

DAVEY

SILENSOR[®]PRO
by **DAVEY**

SilensorPRO SP200BT y SP400BT

Bomba de piscina

Instalación e instrucciones de funcionamiento

50/60Hz



SP200BT

SP400BT



Consulte el sitio web de Davey de su país en la página final de este documento para cualquier actualización de información del producto.

Por favor, facilite estas instrucciones al operador de este equipo.

Felicidades por su compra de una bomba de alta calidad SilensorPRO SP200BT o SP400BT. Todos los componentes se han diseñado y fabricado para un funcionamiento fiable y sin problemas.

Índice:

1.	INSTALACIÓN DE LA BOMBA DE VELOCIDAD REGULABLE DAVEY	107
	Conexión eléctrica	107
	Conexión de la tubería.....	108
2.	DIAGRAMA DE INSTALACIÓN TÍPICA.....	109
3.	ESPECIFICACIONES DE RENDIMIENTO.....	109
	3.1 Rendimiento hidráulico de SP200BT	109
	3.2 Especificaciones eléctricas de SP200BT.....	110
	3.3 Rendimiento hidráulico de SP400BT	110
	3.4 Especificaciones eléctricas de SP400BT.....	110
4.	MANUAL DEL USUARIO.....	111
	Ahorro de energía con su SilensorPRO	111
	Lista de comprobaciones previas a la puesta en marcha.....	111
	Funcionamiento a baja energía	112
	Normas para las horas de funcionamiento recomendadas	112
	Vaciado de la canasta del filtro	113
	Mantenimiento rutinario	113
5.	CARACTERÍSTICAS Y FUNCIONALIDAD	114
	Indicador luminoso LED multicolor	114
	Tecnología de ciclo rápido de retrolavado	114
	Controlador de frecuencia variable con un selector de velocidad fácil de usar.....	114
	Recipiente para pelusas de 4,5 litros grande	114
	Un diseño de refrigeración por agua patentado para un funcionamiento eficiente y ultrasilencioso.....	114
	Compensación constante del flujo/velocidad de SP400BT	114
	Puerto de comunicación impermeable RJ45 de SP400BT (véase la sección 7 para los detalles de conexión)	114
6.	FUNCIONALIDAD DE BLUETOOTH.....	115
	Configuración de la app bluetooth	115
	Sincronizar un dispositivo con la bomba	115
	Temporizador o clorador externo	115
	Modo programación.....	115
	Configurar una programación	116
	Ajustes	116
	Velocidad de cebado o velocidad máxima.....	116
	Retrolavado	117
	Temporizador externo presente	117
	Función de desconexión	117
	Restablecimiento de fábrica	117
	Localización de fallos de la bomba.....	117
7.	CONFIGURACIÓN AVANZADA DE SP400BT	118
	Información general de las conexiones AUX externas	118
	Entradas de control digitales	119
	Interconectar el equipo al SilensorPRO SP400BT	119
	Entradas de control analógico	120
8.	ESPECIFICACIONES TÉCNICAS.....	120
9.	USO DE LA BOMBA SILENSORPRO CON UN CLORADOR SALINO	121
10.	ACCIONAR EL LIMPIADOR DE SUCCIÓN DE PISCINAS	121
11.	RESOLUCIÓN DE PROBLEMAS.....	122
12.	EXTRACCIÓN DE LA SILENSORPRO DE LA TUBERÍA.....	122
13.	CALIDAD DEL AGUA.....	122
14.	GARANTÍA DAVEY	124

1. INSTALACIÓN DE LA BOMBA DE VELOCIDAD REGULABLE DAVEY

La SilensorPRO debe instalarse lo más cerca posible del agua y montarse sobre una base firme en una posición con buen drenaje, lo suficientemente alta para evitar posibles inundaciones. Es responsabilidad del instalador o propietario colocar la bomba de tal manera que la placa sea fácilmente visible y la SilensorPRO esté accesible para su mantenimiento. Se recomienda proteger la SilensorPRO de las inclemencias del tiempo. Los recintos deben estar ventilados para evitar la acumulación de condensación.



El incumplimiento de estas instrucciones y sus códigos correspondientes podría causar lesiones corporales graves y/o daños materiales.

Esta bomba requiere de un profesional experto para su instalación y mantenimiento. La instalación de este producto debe realizarla una persona con conocimientos en instalaciones hidráulicas de piscinas siguiendo las instrucciones de instalación de este manual.

Conexión eléctrica



INFORMACIÓN IMPORTANTE La SilensorPRO tiene doble aislamiento con el circuito de agua. Si fuera necesaria una estructura de conexión equipotencial, se facilita un punto de conexión equipotencial. (Consulte sus estatutos y/o normativas locales para estándares de cableado equivalentes AS/NZ 3000).

¡PRECAUCIÓN! Para mayor seguridad, se recomienda que todos los tipos y marcas de bombas de piscina se instalen en conformidad con AS/NZS 3000 conocida como las normativas de cableado nacionales o normas locales equivalentes. Todas las instalaciones eléctricas deben ser realizadas por un electricista cualificado. Davey recomienda que todas las instalaciones estén equipadas con dispositivos de protección diferencial residual y de fuga a tierra. Corriente residual nominal igual o inferior a 30 mA.

ADVERTENCIA: Asegúrese de que haya un interruptor de aislamiento eléctrico de fácil acceso, de tal manera que se pueda apagar la bomba en caso de emergencia.

“La fuente de alimentación debe estar equipada con un protector de sobreintensidad antes de conectarla al aparato.

Desconecte siempre el aparato de la red eléctrica antes de montarlo, desmontarlo o limpiarlo.”

F	NFC C 15-100	GB	BS7671:1992
D	DIN VDE 0100-702	EW	EVHS-HD 384-7-702
A	OVE 8001-4-702	H	MSZ 2364-702:1994/MSZ 10-533 1/1990
E	UNE 20460-7-702 1993, REBT ITC-BT-31 2002	M	MSA HD 384-7-702.S2
IRL	IS HD 384-7-702	PL	PN-IEC 60364-7-702: 1999
I	CEI 64-8/7	CZ	CSN 33 2000 7-702
LUX	384-7.702 S2	SK	STN 33 2000-7-702
NL	NEN 1010-7.702	SLO	SIST HD 384-7-702.S2

La SilensorPRO es adecuada para conectarse a una fuente de alimentación con una conexión nominal de 220–240 volt 50/60Hz y está equipada con un cable flexible. Si la toma de corriente se encuentra a más de 3 metros de la bomba, un electricista deberá instalar una toma de corriente de 3 patas en un lugar seco y seguro. Los alargadores no son seguros cerca de las piscinas y no deben utilizarse. Si el cable suministrado con la SilensorPRO está dañado debe ser reemplazado por Davey o un representante autorizado con repuestos originales de Davey.

La SilensorPRO incorpora un detector de sobrecarga del motor diseñado para protegerlo de sobrecalentamientos. Si el motor se calienta demasiado durante su funcionamiento, la velocidad se reducirá para alcanzar una temperatura de funcionamiento óptima y posteriormente se acelerará hasta la configuración de velocidad inicial.

Para resetear el motor, apáguelo durante 30 segundos y vuelva a encenderlo desde el interruptor principal.

Conexión de la tubería

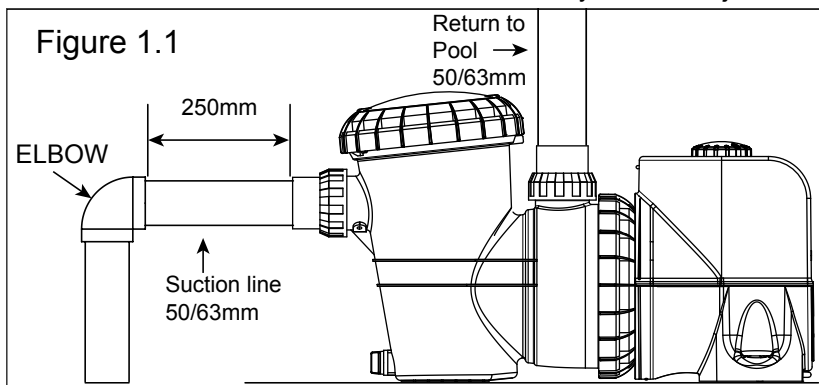
Se incluyen dos uniones para conectarlas a la tubería desde la piscina. Las bombas están diseñadas para aceptar piezas de PVC de 50/63 mm.



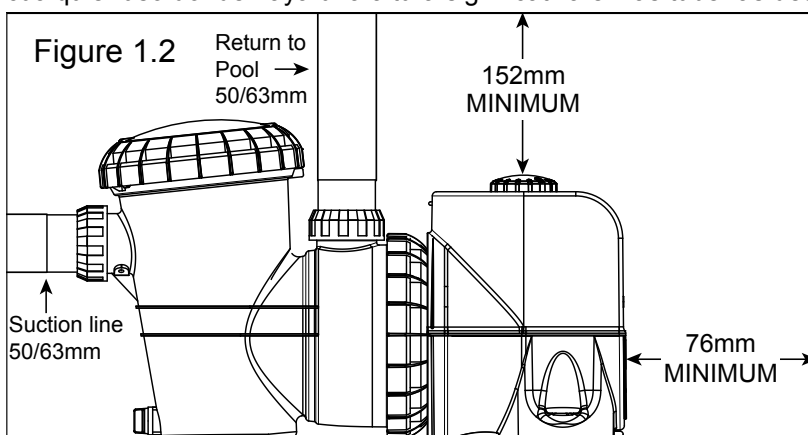
INFORMACIÓN IMPORTANTESi la SilensorPRO y el filtro están instalados por debajo del nivel del agua de la piscina, es necesario instalar válvulas de aislamiento en la tubería entre la bomba y la caja del skimmer y en la tubería de retorno desde el filtro a la piscina. Cuando instale la tubería de descarga, asegúrese de que la tubería no interfiera con el selector de velocidad de la bomba. Las uniones deben ajustarse manualmente. No es necesario el uso de selladores, pegamentos ni siliconas.

Las piezas de la SilensorPRO están fabricadas con ABS. Algunos compuestos para juntas de PVC son incompatibles con ABS. Consulte la adecuación de compuestos antes de usarlos.

No se recomienda el uso de tuberías más pequeñas que las especificadas anteriormente. La tubería de succión debe estar libre de fugas de aire, huecos y protuberancias que puedan obstaculizar la succión. Para maximizar su eficacia, la SilensorPRO debería instalarse de forma que el agua turbulenta se limite el máximo posible. Como se muestra en la figura 1.1, no se debe instalar un codo de 90° a menos de 250 mm de distancia de la unión cilíndrica de entrada. Las válvulas de aislamiento usadas donde el equipo se encuentre por debajo del nivel del agua de la piscina, también deberían instalarse a una distancia superior a 250 mm de la unión cilíndrica de entrada. Esto ayudará al flujo laminar.



La tubería de descarga de la salida de la SilensorPRO debe conectarse a la conexión de entrada del filtro de la piscina (normalmente en la válvula de control del filtro). Como se muestra en la figura 1.2, asegúrese de que quede la separación adecuada por encima de la bomba para no interferir con el selector de velocidad de la SilensorPRO. Use una válvula antirretorno en la línea de descarga cuando utilice la bomba para cualquier uso donde haya una altura significativa en las tuberías después de la bomba.

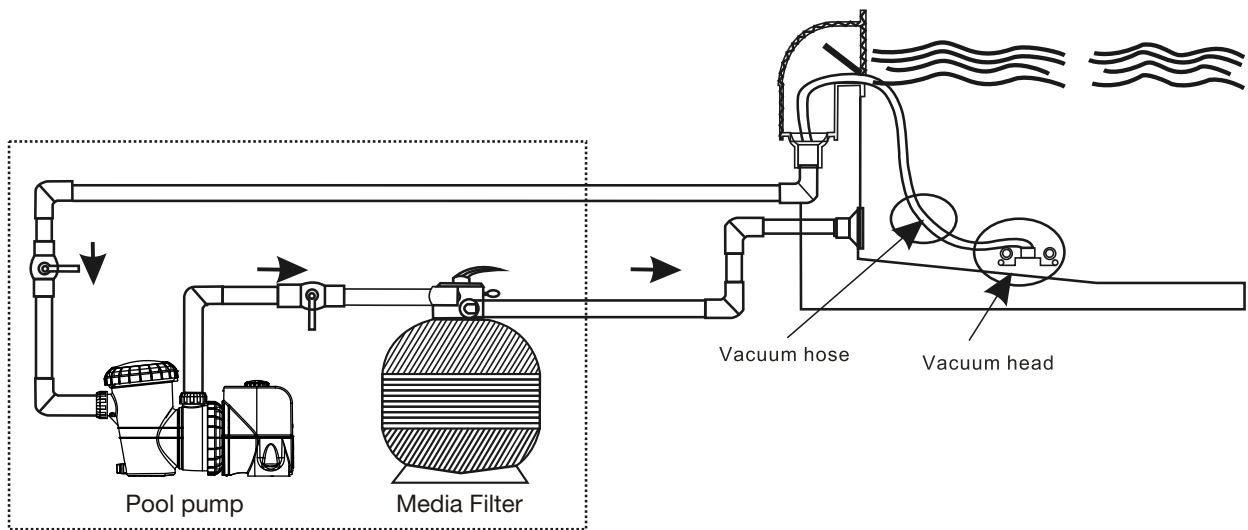


Asegúrese de instalar válvulas antirretorno cuando haya tuberías con otra bomba. Esto ayuda a evitar la rotación inversa de la turbina y el motor.



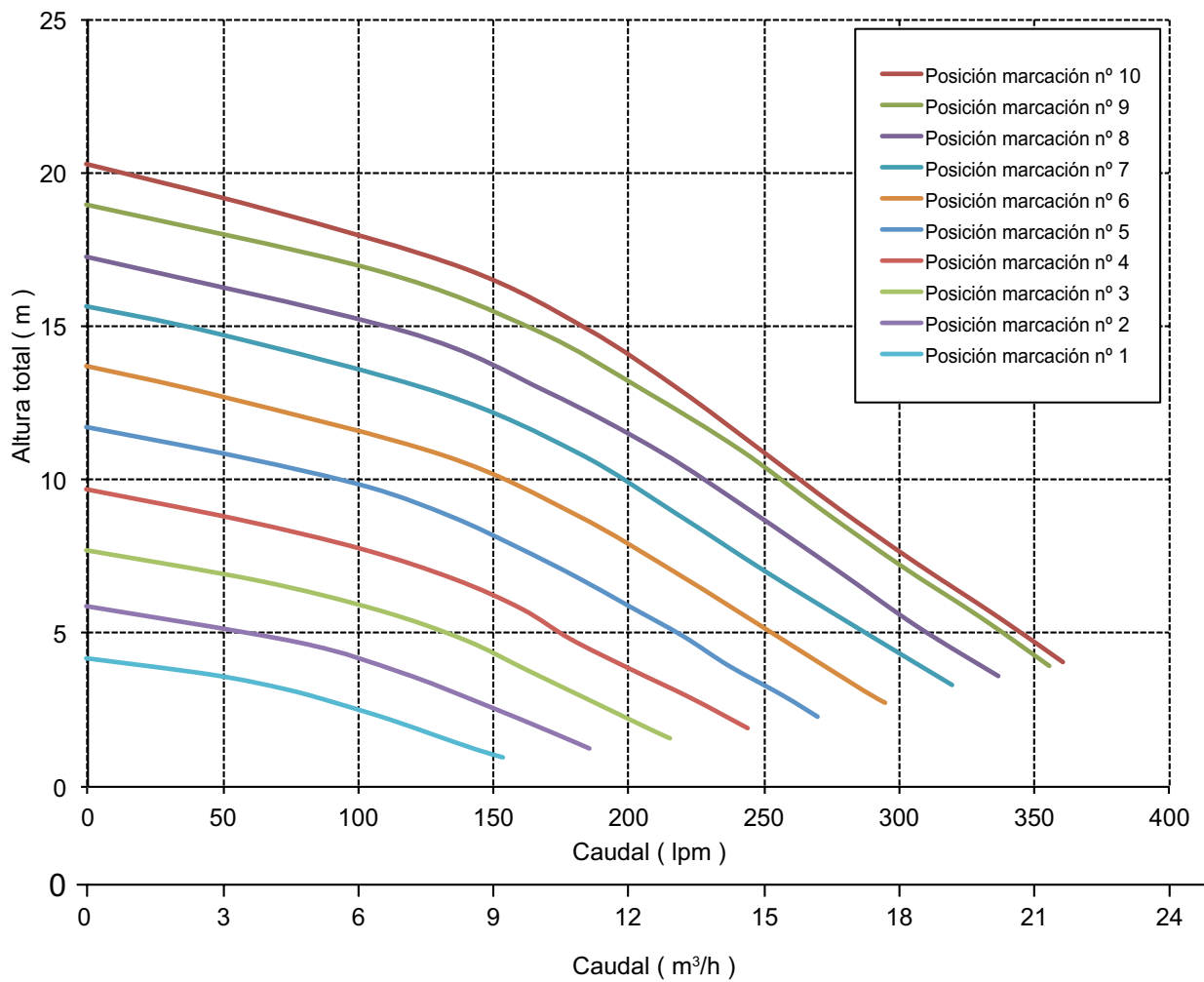
ADVERTENCIA: La succión de la bomba es peligrosa y puede atrapar y ahogar o destripar a los bañistas. No obstaculice la succión. No ponga en funcionamiento la piscina, spas o bañeras hidromasajes si la cubierta de succión está rota, extraviada o suelta. Se incluyen dos cubiertas o entradas de succión con cada bomba para evitar posibles atrapamientos por succión.

2. DIAGRAMA DE INSTALACIÓN TÍPICA



3. ESPECIFICACIONES DE RENDIMIENTO

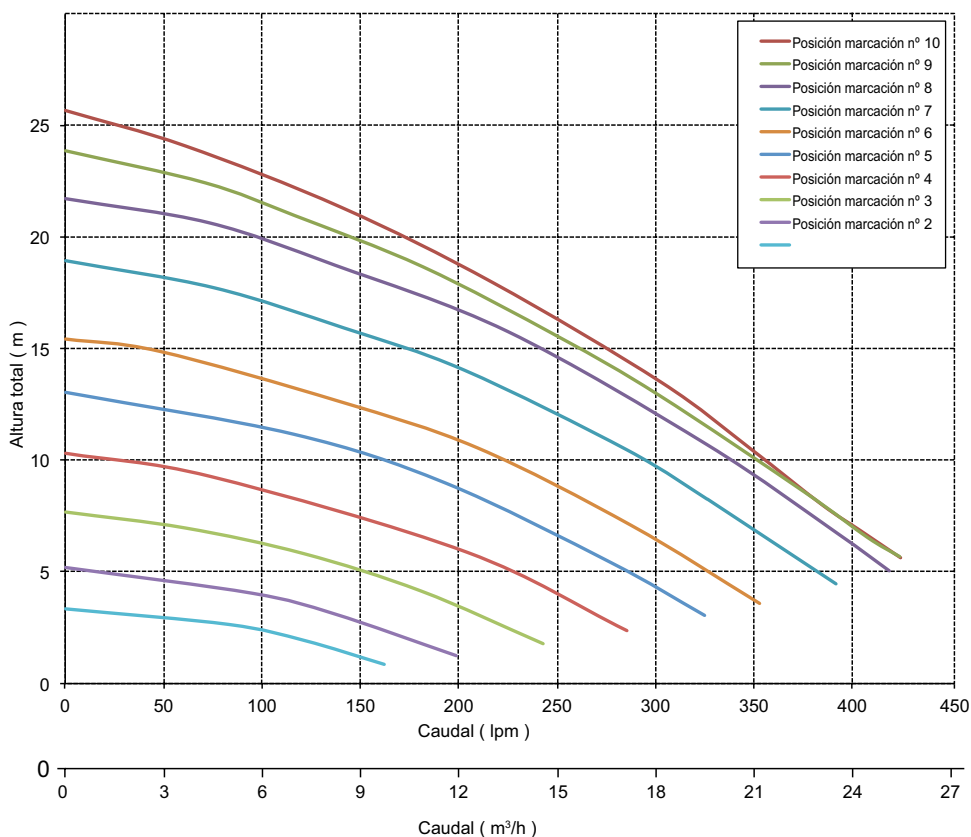
Rendimiento hidráulico de SP200BT



Especificaciones eléctricas de SP200BT

Velocidad Configuración	El mejor punto de eficiencia							Máximo						
	Caudal		Cabeza	Potencia de entrada (P ₁)		Potencia de salida (P ₂)		Caudal		Cabeza	Potencia de entrada (P ₁)		Potencia de salida (P ₂)	
	L/min	m ³ /h	m	hp	W	hp	W	L/min	m ³ /h	m	hp	W	hp	W
Selector 1	85	5.1	3	0.16	123	0.11	86	155	9.3	4	0.17	128	0.12	90
Selector 2	100	6.0	4	0.26	193	0.18	135	187	11.2	6	0.28	207	0.19	145
Selector 3	125	7.5	5	0.38	283	0.26	198	217	13.0	7	0.39	293	0.27	205
Selector 4	143	8.6	6	0.51	383	0.36	268	246	14.8	10	0.53	398	0.37	279
Selector 5	155	9.3	8	0.66	495	0.46	347	272	16.3	12	0.70	524	0.49	367
Selector 6	160	9.6	10	0.82	612	0.57	428	297	17.8	14	0.87	655	0.61	459
Selector 7	183	11.0	11	1.02	766	0.71	536	322	19.3	16	1.08	807	0.75	565
Selector 8	195	11.7	12	1.17	880	0.82	616	339	20.3	17	1.25	936	0.87	655
Selector 9	207	12.4	13	1.36	1,017	0.95	712	358	21.5	19	1.44	1,078	1.01	755
Selector 10	210	12.6	14	1.45	1,090	1.02	763	363	21.8	20	1.48	1,111	1.04	778

Rendimiento hidráulico de SP400BT



Especificaciones eléctricas de SP400BT

Velocidad Configuración	El mejor punto de eficiencia							Máximo						
	Caudal		Cabeza	Potencia de entrada (P ₁)		Potencia de salida (P ₂)		Caudal		Cabeza	Potencia de entrada (P ₁)		Potencia de salida (P ₂)	
	L/min	m ³ /h	m	hp	W	hp	W	L/min	m ³ /h	m	hp	W	hp	W
Selector 1	98	5.9	2	0.16	117	0.11	82	160	9.6	3	0.17	126	0.12	88
Selector 2	112	6.7	4	0.26	192	0.18	134	197	11.8	5	0.28	210	0.20	147
Selector 3	140	8.4	5	0.42	316	0.29	221	240	14.4	8	0.46	347	0.32	243
Selector 4	165	9.9	7	0.62	468	0.44	328	282	16.9	10	0.70	522	0.49	366
Selector 5	190	11.4	9	0.88	660	0.62	462	322	19.3	13	0.97	728	0.68	509
Selector 6	200	12.0	11	1.09	817	0.76	572	349	21.0	15	1.22	912	0.85	638
Selector 7	225	13.5	13	1.44	1,080	1.01	756	388	23.3	19	1.61	1,211	1.13	848
Selector 8	240	14.4	15	1.77	1,330	1.24	931	414	24.9	22	1.97	1,478	1.38	1,034
Selector 9	250	15.0	16	1.99	1,495	1.40	1,047	420	25.2	24	2.18	1,636	1.53	1,145
Selector 10	260	15.6	16	2.16	1,620	1.51	1,134	420	25.2	26	2.19	1,639	1.53	1,147

4. MANUAL DE USUARIO

La SilensorPRO tiene la función Bluetooth habilitada para que pueda ajustar y controlar las funciones de la bomba desde su dispositivo inteligente. Bluetooth es un protocolo de comunicación inalámbrico que permite la comunicación entre dispositivos. Esta función es compatible con cualquier dispositivo que pueda descargarse una aplicación desde la App Store de iOS o Android.

Lea estas instrucciones en su totalidad antes de encender la bomba. Si tiene alguna duda sobre estas instrucciones de instalación y funcionamiento, contacte con Davey. Para ello consulte la información que se detalla al dorso de este documento.

Todas las SilensorPRO están testadas contra una serie de parámetros de flujo, presión, voltaje, corriente y rendimiento mecánico. La avanzada tecnología de fabricación de bombas Davey ofrece productos con un funcionamiento fiable, eficiente y de gran durabilidad.

Ahorro de energía con su SilensorPRO

La bomba de velocidad regulable Davey es una bomba muy eficiente que utiliza un motor de corriente alterna de regulación continua de última tecnología y ultrainteligente que emite bajos niveles de ruido. Además, tiene unos costes de producción bajos y unas emisiones de gases de efecto invernadero inferiores a las de las bombas de piscina tradicionales.

Gracias a su capacidad para funcionar a velocidades más bajas que otras bombas convencionales, la bomba también experimentará menos desgaste mecánico debido a una menor presión en los componentes mecánicos internos. Activar el bombeo de bajo consumo es fácil. Simplemente accione la bomba de filtración a baja velocidad pero déjela funcionar durante más tiempo que una bomba convencional de velocidad fija a fin de «rotar» el agua de la piscina para un filtrado y saneamiento adecuados. El resultado será un menor uso de energía y unos costes de funcionamiento hasta un 70 % más bajos.

La SilensorPRO tiene una configuración de la velocidad ajustable para que pueda modificar la velocidad de circulación del agua de la piscina o spa. La velocidad se puede ajustar para activar un limpiador de succión, un sistema limpiafondos integrado y un calentador para piscinas. La función de retrolavado de la bomba puede seleccionarse para retrolavar el filtro.

Qué esperar con (el funcionamiento energéticamente eficiente de) la SilensorPRO en su piscina:

- Si su bomba SilensorPRO reemplaza a una bomba con un motor tradicional de corriente alterna, quizás deba dejarla funcionar durante más tiempo que su anterior bomba de velocidad fija. Esto es NORMAL y ahorrará energía cuando la utilice a baja velocidad.
- También observará que el manómetro del filtro indicará una presión mucho más baja a la que está acostumbrado. Esto también es NORMAL. La baja presión del sistema es simplemente el resultado de un descenso de la velocidad y del caudal producido por la bomba.
- Cuando funcione a velocidad baja también notará un descenso significativo del ruido de la bomba. Esto es una ventaja ya que le permite poner en marcha la SilensorPRO en horario de tarifa reducida lo que también ayuda a reducir costes operativos. Además, sus vecinos también estarán más contentos.

Algunos productos de piscina dependen de un caudal mínimo para un mejor funcionamiento y/o eficiencia. Si utiliza los ajustes de caudal bajo de la SilensorPRO (p. ej. velocidad 1 a 4), Davey recomienda comprobar la compatibilidad de la velocidad o el caudal mínimo requeridos para poner en funcionamiento algunos equipos específicos de piscinas como:

- limpiadores de succión de piscinas;
- generadores de ozono;
- sistema de calefacción;
- células para cloradores salinos;
- sistemas limpiafondos.

Lista de comprobaciones previas a la puesta en marcha

- La configuración de velocidad elegida es compatible con otro equipo de la piscina.
- La bomba está instalada en un lugar seco y seguro.
- El recinto donde se encuentra la bomba tiene un correcto desagüe en caso de fuga.
- Se han retirado todos los tapones de transporte.
- Las tuberías están correctamente selladas e instaladas.
- La bomba está cebada correctamente.
- La fuente de alimentación está correctamente conectada.
- Se han seguido todos los pasos necesarios para garantizar un uso seguro.
- El filtro se ha instalado en una tubería de 50/63 mm.
- Los ajustes de programación (de la aplicación) corresponden con otras horas del sistema.

Funcionamiento a baja energía

Su SilensorPRO SP200BT tiene ajustes de velocidad desde 1,500 a 3,600 rpm. La SilensorPRO SP400BT tiene ajustes de velocidad desde 1,050 a 3,100 rpm. Siendo la velocidad 1 la más baja y la velocidad 10 la más alta.

- La velocidad 1 supone la velocidad más baja y, por lo tanto, el mayor ahorro de energía y costes.

Funcionamiento	Ajustes de velocidad recomendados
Retrolavado del filtro	Velocidad de retrolavado
Filtrado de la piscina	Velocidad de 1 a 4
Funcionamiento del limpiador de succión de piscinas	Velocidad de 5 a 8
Limpieza manual de la piscina	Velocidad de 9 a 10
Funcionamiento de elementos acuáticos	
Funcionamiento de Spa Jet	
Sistemas de limpieza integrados	
Calefacción solar de piscinas	

Normas para las horas de funcionamiento recomendadas

La tasa de rotación residencial típica debe ser una sola rotación del volumen total del agua de la piscina, durante el periodo diario en el que la bomba estaría funcionando normalmente. La tabla que se muestra a continuación constituye una guía de las horas de funcionamiento de la bomba mientras esté en modo de filtrado a fin de alcanzar la tasa de rotación mínima:

SilensorPro SP200BT

Tamaño de la piscina (Litros)	Configuración de la velocidad (horas)		
	Velocidad 1	Velocidad 5	Velocidad 10
20.000	3,3	1,7	1,1
30.000	5,0	2,5	1,7
40.000	6,7	3,3	2,2
50.000	8,3	4,2	2,8
60.000	10,0	5,0	3,3
80.000	13,3	6,7	4,4
100.000	16,7	8,3	5,6

SilensorPro SP400BT

Tamaño de la piscina (Litros)	Configuración de la velocidad (horas)		
	Velocidad 1	Velocidad 5	Velocidad 10
20.000	2,4	1,3	0,9
30.000	3,7	2,0	1,4
40.000	4,9	2,7	1,9
50.000	6,1	3,3	2,3
60.000	7,4	4,0	2,8
80.000	9,8	5,3	3,8
100.000	12,3	6,7	4,7



De conformidad con EN60335.1, tenemos la obligación de informarle que este aparato pueden usarlo niños a partir de 8 años y personas con algún tipo de discapacidad física, sensorial o mental o falta de experiencia y conocimientos, siempre y cuando sean supervisados o hayan recibido algún tipo de formación para su uso seguro y sean conscientes de los riesgos que conlleva. Los niños deberían ser vigilados para garantizar que no juegan con el aparato.

Vaciado de la canasta del filtro

La canasta del filtro debe revisarse frecuentemente a través de la tapa transparente y vaciarse cuando haya una acumulación de desechos considerable. Deben seguirse las siguientes indicaciones.

- Apague la bomba y desenchúfela de la fuente de alimentación;
- Desatornille la tapa de la canasta del filtro en el sentido contrario a las agujas del reloj y retírela.
- Retire la canasta del filtro tirando hacia arriba de su caja.
- Retire los residuos atrapados en la canasta. Enjuáguela con agua si es necesario.



NOTA: NUNCA sacuda la canasta de plástico en una superficie dura ya que puede dañarla.

- Compruebe que la canasta del filtro no tenga grietas, si está dañada sustitúyala.
- Vuelva a colocar la tapa y asegúrese de que encaja con la junta tórica grande. Apriete manualmente solo si es necesario. La junta tórica y la rosca pueden ser lubricadas con Hydra Slip o productos similares.



No realizar un mantenimiento regular puede causar daños no cubiertos por la garantía.

Mantenimiento rutinario

Para maximizar la vida útil del SilensorPRO, y por seguridad personal, utilice esta lista de comprobación una vez a la semana. Asegúrese de que que la bomba está apagada antes de arrancar y desconectada de la red eléctrica:

- Asegúrese de que los indicadores de presión funcionen correctamente y los valores de presión estén dentro de los límites especificados en el producto.
- Asegúrese de que cada entrada de succión y el drenaje principal tengan una cubierta y que estén cerrados correctamente y en unas condiciones de funcionamiento seguras.
- Asegúrese de que todas las cubiertas de skimmer estén cerradas correctamente y en unas condiciones de funcionamiento seguras. Estas deben reemplazarse cada 3 o 4 años.
- Retire cualquier obstrucción o residuo de la cubierta del sumidero.
- Compruebe, al menos una vez a la semana, que las canastas de skimmer y de la bomba no contengan hojas ni residuos.
- Retire cualquier obstrucción o combustible cerca del motor de la bomba.
- Asegúrese de que todas las conexiones del cableado estén limpias y que todo el equipo eléctrico y de cableado esté en buen estado. El cableado dañado debe ser reparado o reemplazado por un electricista cualificado tan pronto como se detecte el daño.
- Compruebe el equilibrio del agua y los niveles de higienización con su tienda de piscinas local.

5. CARACTERÍSTICAS Y FUNCIONALIDAD

La SilensorPRO tiene varias funciones operativas. A continuación, se explican detalladamente.

Indicador luminoso LED multicolor

Se usa para identificar los ajustes requeridos para programar el tiempo para el ciclo completo (de aumento de) de velocidad y advertencias:

- Verde fijo = Funcionamiento normal del selector
- Verde parpadeante lento = En modo retrolavado
- Verde parpadeante rápido = Control externo AUX
- Blanco fijo = Tiempo de retrolavado
- Blanco parpadeante rápido = Fallo detectado - reiniciar bomba
- Azul parpadeante lento = Accionado por Bluetooth
- Azul fijo = Modo bluetooth

Tecnología de ciclo rápido de retrolavado

Cuando se encuentra en modo de retrolavado la SilensorPRO cambiará entre una velocidad baja y alta para agitar los medios de filtración y así favorecer una limpieza más efectiva. Esto reduce el desperdicio de agua y productos químicos durante el proceso de retrolavado.

Controlador de frecuencia variable con un selector de velocidad fácil de usar

- Ofrece una selección fácil de la velocidad de filtrado deseada.
- Botones de control digitales de fácil uso.

Recipiente para pelusas de 4,5 litros grande

- Ofrece intervalos más largos entre una limpieza y otra.

Un diseño de refrigeración por agua patentado para un funcionamiento eficiente y ultrasilencioso

La SilensorPRO dispone de una membrana de refrigeración por agua y una cubierta alrededor del motor que ayuda a mantener la bomba fría durante su funcionamiento. El calor residual del motor se transfiere al agua de la piscina ayudando así a reducir el coste energético de la calefacción de la piscina.

Compensación constante del flujo/velocidad de SP400BT

Cuando el filtro de la piscina se ensucia, la presión aumenta. Con una bomba de piscina típica, esta naturalmente ralentizaría el flujo que atravesase el sistema. La SilensorPRO tiene la inteligencia necesaria para detectar automáticamente la resistencia aplicada por un filtro y para compensar lentamente la reducción de flujo aumentando la velocidad del motor. Como resultado, el flujo se mantiene constante entre una y otra limpieza del filtro.

Cuando la SilensorPRO detecta que la velocidad aumenta, indica el tiempo de retrolavado del filtro. El indicador LED mostrará una luz blanca fija (consultar el elemento más arriba).

Puerto de comunicación impermeable RJ45 de SP400BT (véase la sección 7 para los detalles de conexión)

- Para la comunicación y conexión de los sistemas de control externo de las piscinas.
- Para recibir una señal desde una bomba de calor o calentador de gas para aumentar la velocidad de la SilensorPRO al máximo durante el proceso de calentamiento.
- Diagnósticos de servicio y actualizaciones del software (solo para uso de Davey).

6. FUNCIONALIDAD DE BLUETOOTH

Configuración de la app bluetooth

- Abra la aplicación de «App Store» disponible en su dispositivo
- Busque «Davey Pool Pump».
- Instale la aplicación en su dispositivo.



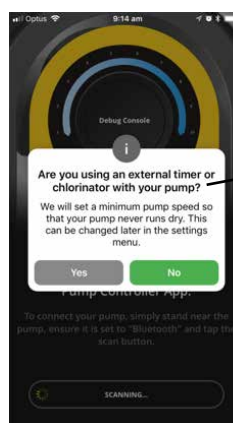
La aplicación puede instalarse en todos los dispositivos que desee pero solo uno podrá controlar la bomba en un momento dado. El idioma y la hora de la aplicación serán iguales a los configurados en su dispositivo. Las unidades de medida se preconfigurarán en las unidades regionales de su dispositivo pero puede elegir entre litros, galones o m³/h.

Sincronizar un dispositivo con la bomba

- Abra la aplicación en su dispositivo inteligente.
- Cambie el selector de la bomba de «off» a «Bluetooth» y verá una luz LED blanca durante un segundo.
- En su dispositivo, pulse el botón conectar.
- Cuando lo configure por vez primera SOLO seleccione «SÍ» para permitir la ubicación.
- Tenga en cuenta que la primera vez que se sincronizan los dispositivos, hay un límite de tiempo de 2 minutos para hacerlo antes de tener que repetir el proceso.

Temporizador o clorador externo

Un mensaje emergente aparecerá preguntando si está utilizando un temporizador o clorador externo para controlar la SilensorPRO. Seleccione «sí» o «no». Esta es una función de seguridad que garantiza que el clorador solo funcione cuando la bomba esté en funcionamiento.



Aparecerá este mensaje emergente.

Nota: Las capturas de pantalla de la aplicación solo tienen un fin demostrativo. Las pantallas reales pueden variar.

Modo manual o modo programación

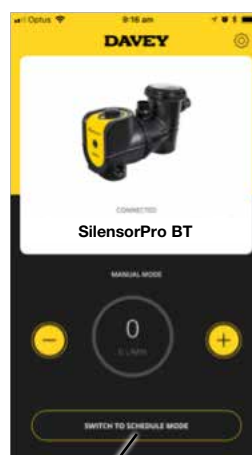
Hay dos modos disponibles, dependiendo si desea activar manualmente la SilensorPRO o, como alternativa, puede programar su funcionamiento.

Modo manual

- Si está en modo programación, presione «cambiar a modo manual».
- Ahora la app estará en modo manual y podrá ajustar manualmente la velocidad presionando los botones (+/-).
- En modo manual, la SilensorPRO funcionará a la velocidad ajustada, incluso si el teléfono móvil está fuera del alcance.
- En cualquier momento que esté conectado en modo Bluetooth, funcionará a la velocidad ajustada anteriormente después del ciclo de cebado.

Modo programación

- Hay dos opciones (ciclo diario o ciclo semanal) pulsando la casilla deseada.
- Esta opción le permite crear un «programa diario» estándar que funcionará conforme a los ajustes programados cada día.



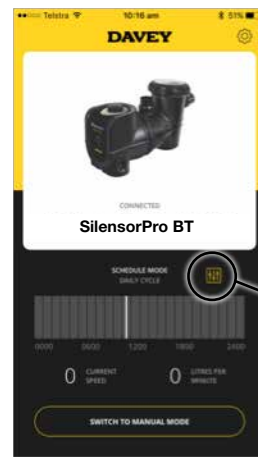
Para cambiar entre modo manual y programación debe pulsar este botón.

Hay dos opciones (ciclo diario o ciclo semanal) pulsando la casilla deseada. Esta opción le permite crear un «programa diario» estándar que funcionará conforme a los ajustes programados cada día.

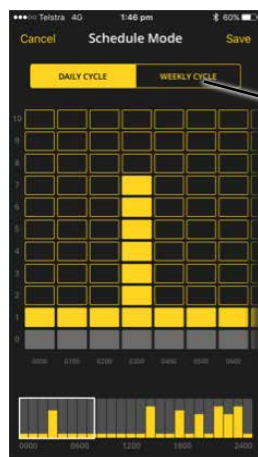
- La opción de «ciclo semanal» puede ajustarse para una semana completa ofreciéndole la posibilidad de alternar ciclos diarios dependiendo del tiempo, número de bañistas, etc.

Configurar una programación

- Seleccione la casilla correspondiente a la hora que desea poner en marcha la bomba.
- Seleccione la velocidad a la que desea que funcione la bomba todo el tiempo. Nota: • Los ajustes (1-10) indican la velocidad de funcionamiento de la bomba de mínima a máxima.
- Cuando haya terminado de configurar la programación, seleccione «Guardar». La comunicación entre el dispositivo y la bomba puede tardar hasta 20 segundos dependiendo de la programación seleccionada.
- La línea en el centro de la pantalla muestra un resumen del programa por día y hora. Esta visualización puede modificarse fácilmente deslizando las columnas hacia arriba o hacia abajo.
- **Nota:** Si usa un clorador debe asegurarse de que las horas de «encendido» de la bomba correspondan con las horas de «encendido» del clorador. La bomba permanecerá en el último modo utilizado, ya sea modo manual o de programación.



Seleccionar para editar los ajustes de programación



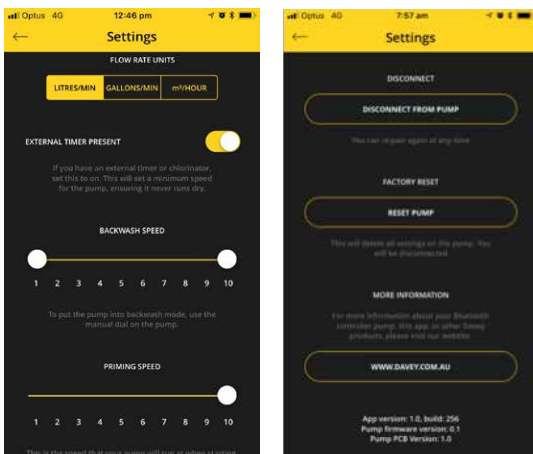
Seleccione si desea el ciclo diario o el ciclo semanal.

Ajustes

Para modificar los parámetros de configuración, haga clic en el icono de ajustes:



Este mostrará las siguientes pantallas (desplace hacia abajo para más información).



Velocidad de cebado o velocidad máxima

Cada vez que la bomba se pone en marcha, realizará 2 minutos de cebado para asegurarse de que haya agua en el sistema. Puede ajustar la velocidad a la que se realiza este proceso entre 5 y 10. La velocidad seleccionada limitará la velocidad máxima a la que funcionará la bomba en modo manual o modo programación.

Retrolavado

Puede ajustarse a una sola velocidad o alternando dos velocidades y la velocidad de la bomba oscilará entre los dos ajustes. La velocidad mínima puede ajustarse entre 1 y 10; la velocidad máxima solo entre 5 y 10.

Temporizador externo presente

Actívelo o desactívelo en función de si está utilizando un temporizador o clorador externos.

Función de desconexión

La función «Desconectar de la bomba» puede usarse para:

- Permitir a otro dispositivo controlar la bomba.
- Desconectar de manera que no estará automáticamente conectado a la bomba.
- Tenga en cuenta que la conexión bluetooth se desconectará automáticamente después de un minuto sin comunicación.

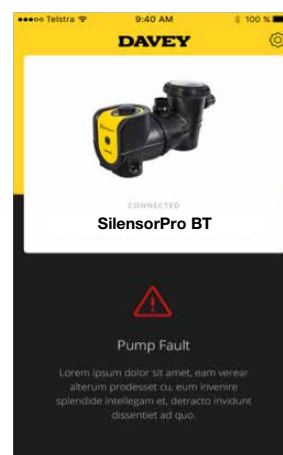
Restablecimiento de fábrica

Esta opción restablecerá los ajustes de fábrica de la bomba y le permitirá reiniciar el proceso de configuración.

- Seleccione «restablecer bomba».
- Seleccione «off» y luego «Bluetooth».
- Así puede volver a sincronizarla con su teléfono móvil. Este procedimiento se realiza in situ para que la bomba no pueda restablecerse accidentalmente.

Localización de fallos de la bomba

En caso de que se produzca un fallo, aparecerá la siguiente pantalla con una descripción del fallo indicando la solución.



Título del error	Descripción del error
Fallo de la bomba: sobrecorriente	Compruebe que el motor puede girar libremente. Desconecte durante 1 minuto y vuelva a conectar para reiniciar. Si el problema persiste, llame a Davey o a un agente reparador autorizado.
Fallo de la bomba: subtensión	Problema de tensión de la alimentación. Cuando vuelva la corriente a su estado normal, desconecte durante un minuto y vuelva a conectar para reiniciar.
Fallo de la bomba: sobrecalentamiento	La bomba está demasiado caliente. Compruebe la temperatura ambiente. Ajuste a la velocidad más baja posible si la temperatura es demasiado alta.
Fallo de la bomba: motor detenido	Compruebe que el motor puede girar libremente. Desconecte durante 1 minuto y vuelva a conectar para reiniciar.
Fallo de la bomba: carga insuficiente o pérdida de cebado	Compruebe si hay suficiente agua dentro de la bomba. Desconecte durante 1 minuto y vuelva a conectar para reiniciar. Si el problema persiste, llame a Davey o a un agente reparador autorizado.

<p>Fallo de la bomba: sobrecalentamiento del motor</p> <p>Fallo de la bomba: sobretensión</p> <p>Fallo de la bomba: fuga a tierra</p> <p>Fallo de la bomba: error del sistema</p> <p>Fallo de la bomba: error en fase de salida</p> <p>Fallo de la bomba: sobrecarga de corriente</p> <p>Fallo de la bomba: control EEPROM</p> <p>Fallo de la bomba: error del dispositivo de control.</p> <p>Fallo de la bomba: protección CEM trasera</p> <p>Fallo de la bomba: error del termistor</p> <p>Fallo de la bomba: desconexión segura del par</p> <p>Fallo de la bomba: comunicación del bus interno</p> <p>Fallo de la bomba: error de la aplicación</p> <p>Fallo de la bomba: alta temperatura IGBT</p> <p>Fallo de la bomba: fallo de entrada analógica 4mA</p> <p>Fallo de la bomba: fallo externo</p> <p>Fallo de la bomba: error de comunicación del teclado</p> <p>Fallo de la bomba: error de comunicación del bus de campo</p> <p>Fallo de la bomba: error de la interfaz del bus de campo</p>	<p>Desconecte durante 1 minuto y vuelva a conectar para reiniciar. Si el problema persiste, llame a Davey o a un agente reparador autorizado.</p>
--	---

7. CONFIGURACIÓN AVANZADA DE SP400BT

Información general de las conexiones AUX externas

La SilensorPro SP400BT dispone de un conector RJ45 resistente al agua para facilitar el control externo de la velocidad del motor y otras funciones. Puede utilizarse un cable de conexión estándar RJ45 (sin carcasa).



Figura 7.1: Clavija RJ45 instalada dentro de la carcasa (desde la parte trasera)

Se recomienda mantener una longitud del cable lo más corta posible entre la bomba y el controlador externo de piscina o el calentador. Hay dos configuraciones principales de pines como se muestra a continuación:

CLAVIJA RJ45

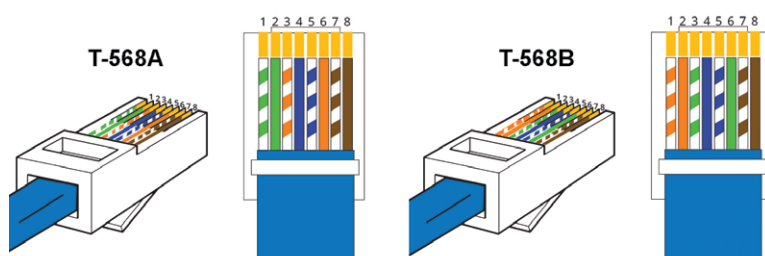


Figura 7.2: Conexiones de pin RJ45

Pin	Función	T-568A	T-568B
1	RS485 +ve	Verde/blanco	Naranja/blanco
2	RS485 -ve	Verde	Naranja
3	Entrada digital 3	Naranja/blanco	Verde/blanco
4	Entrada analógica	Azul	Azul
5	0V DC tierra	Azul/blanco	Azul/blanco
6	Entrada digital 2	Naranja	Verde
7	Entrada digital 1	Marrón/blanco	Marrón/blanco
8	24 V	Marrón	Marrón

Compruebe que el cable que utilice tenga el anterior código de color de pines del 1 al 8. Si se ha utilizado un código de colores alternativo, asegúrese de registrar el color que corresponde a cada pin para evitar una conexión errónea con el controlador de la piscina o el calentador. Si se utiliza un cable alternativo compruebe que la entrada analógica y la de tierra sean un par trenzado.

La conexión de 24V se utiliza solo como referencia para las entradas digitales – NO enchufe equipos externos a esta línea de alimentación.

Entradas de control digitales

Las 3 entradas digitales permiten anular la configuración del selector de velocidad. Para seleccionar una de estas entradas siga alguno de los siguientes pasos:

- Conecte una alimentación aislada de 24V entre el pin de entrada digital y la toma de tierra DC.
- Conecte los contactos conectados de un relé entre el pin de 24V y la entrada digital.

Las velocidades fijadas (como proporción de velocidad máxima) son:

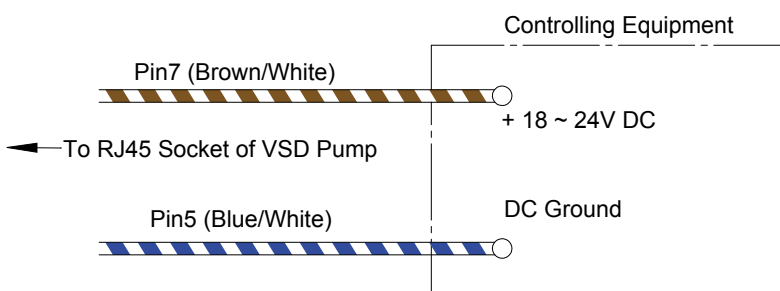
Entrada 1 (Pin 7)	Entrada 2 (Pin 6)	Entrada 3 (Pin 3)	Velocidad de salida
0	0	0	Selector
0	0	24 V	33 %
0	24 V	0	50%
0	24 V	24 V	Retrolavado
24 V	0	0	100%
24 V	0	24 V	67%
24 V	24 V	0	83%

Interconectar el equipo a la SilensorPRO SP400BT

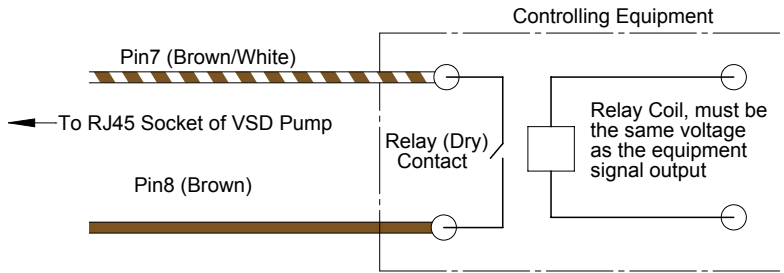


ADVERTENCIA: Se necesita un electricista cualificado para realizar el trabajo descrito a continuación.

La SilensorPro SP400BT puede ser controlada por otro equipo para cambiarla a velocidad alta (o cualquier otra velocidad preseleccionada, véase la sección 8 para más detalles). Esto es para alcanzar la máxima eficiencia, por ejemplo, cuando se utilice un calentador de gas o una bomba de calor. Si el equipo tiene una salida de señal aislada de 18- 24V DC, solo tiene que conectar el pin 7 al terminal 24 V CC positivo y el pin 5 a la toma de tierra como se muestra en el siguiente diagrama:



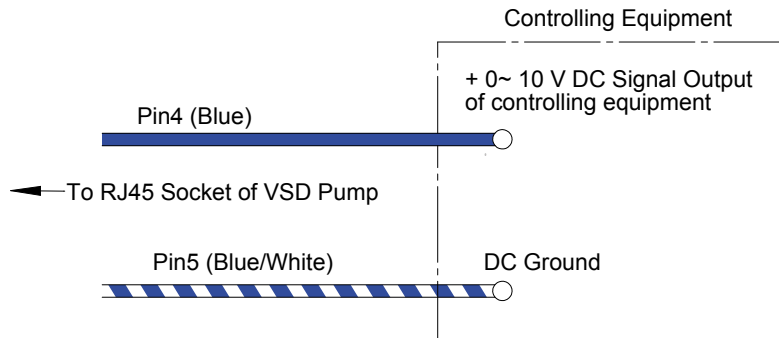
Si el equipo de control no tiene un voltaje de salida de 18-24V DC como se indica anteriormente, y tiene una salida de señal de 24V AC, 230V AC, 12V AC o 12V DC, etc., debe utilizarse un relé adecuado (el voltaje de bobina debe ser el mismo al de la salida de señal del equipo de control) para realizar esta función como se indica más arriba y se muestra en el siguiente diagrama:



Si el equipo de control ya tiene la salida del relé (contacto seco) por razones de control, no será necesario otro relé, simplemente conecte el pin 7 (Marrón/Blanco) y el pin 8 (Marrón) a los contactos secos como se muestra en la parte izquierda del diagrama anterior.

Entradas de control analógico

Se puede acceder al control de velocidad conectando una señal 0-10 V DC en la entrada del pin 4 (tierra al pin 5). Tan pronto como se registre una señal por encima de 0 V, esta entrada tendrá prioridad sobre los ajustes del selector. Por ejemplo, 10V DC cambiará la velocidad de la bomba al 100%, 5V DC cambiará la velocidad de la bomba al 50%, etc.



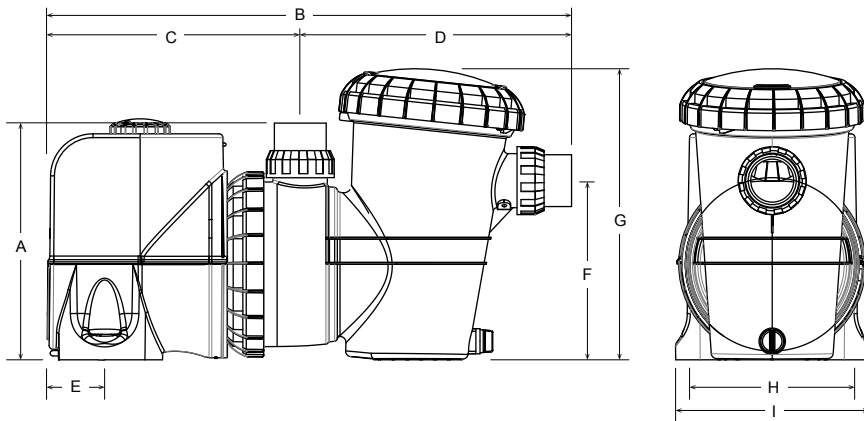
8. ESPECIFICACIONES TÉCNICAS

Modelo	SP200BT	SP400BT
Altura máx. (m)	20	26
RPM	Velocidad de 1 a 10: 1,500 – 3,600	Velocidad de 1 a 10: 1,050 – 3,100
	Velocidad de retrolavado: variable	
Clase de protección (IP)	45	
Grado de aislamiento	F	
Voltaje (V)	220 – 240VAC	
Frecuencia de suministro (Hz)	50/60 Hz	
Potencia de entrada máxima: (W)	Velocidad 1: 128	Velocidad 1: 126
	Velocidad 5: 524	Velocidad 5: 728
	Velocidad 10: 1.111	Velocidad 10: 1.639
	Velocidad de retrolavado: variable	

Límites de funcionamiento

Temperatura máxima del agua:	40 °C	40 °C
Temperatura ambiente máxima:	50 °C	50 °C

Dimensiones



A	B	C	D	E	F	G	H	I	Diámetro de los orificios de montaje	Entrada/Salida PVC	Peso neto (kg)
305mm	670mm	320mm	350mm	65mm	230mm	380mm	200mm	250mm	10mm	50/63	14

9. USO DE LA BOMBA SILENSORPRO CON UN CLORADOR SALINO

Los cloradores necesitan un flujo mínimo a través de la célula del clorador para mayor eficiencia y durabilidad de la célula. Consulte el manual de su clorador como referencia para el flujo requerido por el sistema de su piscina. Asegúrese de que el caudal sea suficiente para cubrir completamente las placas de la célula del clorador durante todas las horas de funcionamiento.

10. ACCIONAR EL LIMPIADOR DE SUCCIÓN DE PISCINAS

Antes de instalar o comprar el limpiador de succión de piscinas para usar junto con la SilensorPRO, es importante que conozca los caudales mínimos requeridos para ponerlo en funcionamiento correctamente.

Para accionar un limpiador de succión de piscinas:

- Active el ajuste de flujo alto (10) para permitir que el cebado total de la bomba se realice en 2 minutos aproximadamente. La bomba estará cebada cuando pueda ver un fuerte flujo de agua a través de la tapa de la canasta de hojas.
- Cuando haya salido todo el aire de la canasta de hojas, conecte bien la manguera del limpiador a la placa del skimmer o al succionador de pared específico.
- Seleccione el ajuste de velocidad que permita el mejor rendimiento del limpiador por succión. Las velocidades de 3 a 7 normalmente son adecuadas para la mayoría de los limpiadores, sin embargo, si el limpiador requiere un mejor rendimiento, seleccione las velocidades de 7 a 10.
- El limpiador debe estar conectado solamente el tiempo necesario para limpiar la superficie de la piscina. Cuando finalice la limpieza, desconecte el limpiador y retire la placa del skimmer de su caja.
- Reactive la velocidad más apropiada para el filtrado diario. Se recomiendan las velocidades de 1 a 4.



NOTA: Para obtener un óptimo ahorro de energía de la SilensorPRO NO deje el limpiador de succión conectado cuando no sea necesaria la limpieza.



NOTA: Si la SilensorPRO está conectada mediante cableado a un reloj registrador u otro control automático, el cable deberá ser retirado por un técnico cualificado.

- Cierre las válvulas del agua de la línea de retorno a la piscina y de la tubería de entrada de la SilensorPRO.
- Retire las uniones de descarga y succión con cuidado de no extraviar las juntas tóricas.
- Mueva la tubería con las uniones fijadas hasta que la SilensorPRO se pueda extraer sin dificultad.



NOTA: Cuando haga alguna consulta sobre su SilensorPRO asegúrese de indicar el número de modelo de la placa situada en el motor.

11. RESOLUCIÓN DE PROBLEMAS

Si se activa la bomba pero no hay flujo de agua o es escaso, puede deberse a las siguientes causas:

- El filtro necesita retrolavado o está obstruido. Consulte la sección correspondiente del manual del filtro.
- La bomba no está cebada. Vuelva a cebarla como se detalla en «Activación de la bomba».
- Hay fugas de aire en la tubería de succión. Compruebe toda la tubería y repare las fugas, compruebe también que la tapa de la canasta del filtro no esté suelta. Las burbujas de aire en el agua que fluye en la parte trasera de la piscina podrían indicar una fuga en la succión de la bomba permitiendo que el aire entre en la tubería.
- Una junta del eje de la bomba que gotee también podría impedir su funcionamiento. Prueba de ello sería encontrar agua en el suelo debajo la bomba.
- La bomba no puede sacar agua de la piscina. Compruebe que las válvulas de la bomba estén completamente abiertas y que el nivel de agua de la piscina esté a la altura de la caja de skimmer. Normalmente, por la mitad del frontal de la caja de skimmer es suficiente.
- Obstrucción en la tubería o la bomba. Retire la canasta del filtro y compruebe si hay alguna obstrucción en la entrada de la turbina de la bomba. Compruebe que la caja del skimmer no tenga ninguna obstrucción.

Si la bomba no funciona, puede deberse a las siguientes razones:

- La corriente no está conectada. Solo para voltajes de 220-240, compruebe la toma de corriente enchufando un aparato portátil para comprobar que haya corriente. Compruebe también los fusibles y el interruptor del suministro de corriente principal.
- La sobrecarga automática se ha disparado. La bomba tiene un sistema integrado contra sobrecarga térmica que se autoreseteará una vez que el motor se enfríe tras un periodo de sobrecalentamiento. Determine la causa de la sobrecarga y solúciónela. Reinicie la bomba pulsando OFF durante 30 segundos.
- Una obstrucción no permite que la bomba gire.

12. EXTRACCIÓN DE LA SILENSORPRO DE LA TUBERÍA

Si fuera necesario retirar la SilensorPRO, siga estas instrucciones:

- Apague la corriente y desenchufe el conector de la toma de corriente.
- Desenrosque la unión de la parte delantera y superior de la bomba, liberando así la bomba de la tubería.
- Extraiga la bomba de su ubicación.

13. CALIDAD DEL AGUA

QUÍMICA DEL AGUA DE PISCINA RECOMENDADA

EQUILIBRIO DEL AGUA DE PISCINA	Cloro libre (ppm)	pH	Alcalinidad total AT (ppm)	Dureza del calcio (ppm)	Estabilizador - Ácido cianúrico (ppm)
Rango/lectura ideal	1 – 3	Piscinas revestidas de azulejos y hormigón: 7.4-7.6 Otras superficies: 7.2-7.4	Piscinas revestidas de azulejos y hormigón – 80-120. Otras superficies: 125-150	Piscinas revestidas de azulejos y hormigón – 200-275. Otras superficies: 100-225	25 – 50
Para aumentar	Aumente la salida de clorador. Añada cloro. Aumente el tiempo de filtrado.	Añada búfer o carbonato sódico.	Añada bicarbonato sódico.	Añada cloruro de calcio.	Añada ácido cianúrico.
Para reducir		Añada ácido clorhídrico.	Añada ácido clorhídrico o ácido seco.	Vacíe parcialmente la piscina y vuelva a llenarla con un agua de dureza inferior para diluirla.	Vacíe parcialmente la piscina y vuelva a llenarla para diluirla.
Frecuencia de las pruebas	Semanal	Semanal	Semanal	Semanal	Regularmente



Tareas rutinarias de mantenimiento: Para maximizar la vida útil del SilensorPRO, y por seguridad personal, utilice esta lista de comprobación una vez a la semana. Asegúrese de que la bomba está apagada antes de arrancar y desconectada de la red eléctrica:

- a. Asegúrese de que los indicadores de presión funcionen correctamente y los valores de presión estén dentro de los límites especificados en el producto.
- b. Asegúrese de que cada entrada de succión y el drenaje principal tengan una cubierta y que estén cerrados correctamente y en unas condiciones de funcionamiento seguras.
- c. Asegúrese de que todas las cubiertas de skimmer estén cerradas correctamente y en unas condiciones de funcionamiento seguras. Estas deben reemplazarse cada 3 o 4 años.
- d. Retire cualquier obstrucción o residuo de la cubierta del sumidero.
- e. Asegúrese, al menos una vez por semana, de que las canastas de skimmer y los recipientes para pelos y pelusas de la bomba no contengan hojas ni residuos.
- f. Retire cualquier obstrucción o combustible cerca del motor de la bomba.
- g. Asegúrese de que todas las conexiones del cableado estén limpias y que todo el equipo eléctrico y de cableado esté en buen estado. El cableado dañado debe ser reparado o reemplazado por un electricista cualificado tan pronto como se detecte el daño.
- h. Compruebe el equilibrio del agua y los niveles de higienización con su tienda de piscinas local.



LAS CONEXIONES ELÉCTRICAS Y LAS INSTALACIONES ELÉCTRICAS DEBEN SER LLEVADAS A CABO POR UN ELECTRICISTA AUTORIZADO.



PELIGRO: Succión peligrosa. No bloquee la entrada de agua al sistema de filtración con ninguna parte del cuerpo ya que la presión puede atrapar el cabello o partes del cuerpo, causando daños graves o la muerte. No obstaculice la succión.

Apague la bomba inmediatamente si alguien se queda atrapado.

No use ni ponga en funcionamiento la piscina, spas o bañeras hidromasajes si la cubierta de succión está rota, extraviada o suelta. Se incluyen dos cubiertas y entradas de succión con cada bomba para evitar posibles atrapamientos por succión.



En conformidad con AS/NZS 60335.2.41 o NZS60335.2.41 debemos informarle que este dispositivo no está destinado para ser utilizado por niños o personas enfermas y no debe usarse como un juguete.



¡Aviso! No añada sustancias químicas directamente al skimmer de la piscina. Añadir sustancias químicas sin diluir puede dañar la bomba y el filtro y dichos daños no están cubiertos por la garantía.



PRECAUCIÓN Asegúrese de que la bomba esté instalada en un lugar que evite la exposición a de congelación.

Garantía Davey

Los productos Davey Water Products vienen con garantías que no pueden excluirse en virtud de las leyes del país local. Tendrá derecho a una sustitución o devolución por un fallo grave y a compensación por cualquier otra pérdida o daño razonablemente previsible. También tendrá derecho a la reparación o sustitución de los bienes en caso de que estos no tengan una calidad aceptable y el fallo no ascienda a una fallo grave.

Davey Water Products Pty Ltd (Davey), sito en 6 Lakeview Drive Scoresby VIC (Australia) 3179 ofrece la siguiente garantía en relación con este producto. Davey garantiza que, conforme a las siguientes exclusiones y limitaciones, el producto se venderá sin defectos en los materiales ni la mano de obra durante un periodo de 24 meses a partir de la fecha de compra (período de garantía).

Si aparece un defecto en el producto antes de la finalización del período de garantía y Davey descubre que el producto está defectuoso en sus materiales o mano de obra, Davey, a su única discreción:

1. sustituirá o reparará el producto o la pieza defectuosa del producto de forma gratuita; o
2. se encargará de organizar la reparación o sustitución del productos o la pieza defectuosa a realizar por un técnico reparador cualificado de forma gratuita.

Davey se reserva el derecho a sustituir piezas defectuosas del producto con piezas o componentes de calidad, grado y composición similares cuando no esté disponible una pieza idéntica. Los bienes presentados para reparación pueden sustituirse mediante bienes renovados del mismo tipo en lugar de repararlos.

Reclamaciones de garantía:

1. Si se produce un fallo cubierto por la garantía, Davey recomienda, en primer lugar, contactar con el distribuidor de Davey donde adquirió el producto. O bien puede llamar a la línea de atención al cliente de Davey en el 1300 367 866 en Australia, 0800 654 333 en Nueva Zelanda o enviar una carta por correo postal a Davey en la dirección que se indica a continuación o por correo electrónico a sales@davey.com.au.
2. Cualquier reclamación de garantía deberá acompañarse con un justificante de compra e información detallada del supuesto defecto.
3. Desde la recepción de su reclamación, Davey intentará resolver su problema o, si el producto está defectuoso, le aconsejarán sobre cómo reparar su producto u obtener una sustitución o una devolución.
4. Esta garantía está limitada a defectos en los materiales o la mano de obra del producto y no cubre las piezas consumibles ni el recambio de piezas debido a su desgaste por un uso normal.

Exclusiones:

La garantía no será aplicable cuando:

1. El Producto haya sido modificado, reparado o mantenido por personal ajeno a Davey o distinto a un técnico reparador autorizado.
2. Davey no pueda establecer ningún fallo en el producto después de probarlo.
3. El producto se haya usado para un fin diferente para los que fue diseñado.
4. El producto haya estado sujeto a condiciones anómalas, ya sea de temperatura, agua, humedad, presión, estrés o similar.
5. El comprador haya usado o instalado piezas y accesorios no originales o no autorizados.
6. El defecto del producto se haya producido por abuso, mal uso, descuido o accidente.
7. El defecto del producto se haya producido debido a la imposibilidad del comprador de mantenerlo o usarlo adecuadamente.
8. El daño se haya producido por el uso de sustancias químicas y detergentes no aprobados por Davey.

Si su producto Davey necesita una reparación o mantenimiento tras el periodo de garantía, contacte con su distribuidor de Davey más cercano o el servicio de Atención al cliente de Davey por teléfono o correo electrónico. Para una lista completa de distribuidores de Davey visite nuestra web.

DAVEY

Davey Water Products Pty Ltd
Member of the GUD Group
ABN 18 066 327 517

daveywater.com

AUSTRALIA

Sede principal
6 Lakeview Drive,
Scoresby, Australia 3179
Ph: 1300 232 839
Fax: 1300 369 119
Email: sales@davey.com.au

NUEVA ZELANDA

7 Rockridge Avenue,
Penrose, Auckland 1061
Ph: 0800 654 333
Fax: 0800 654 334
Email: sales@dwp.co.nz

EUROPA

7 rue Eugène Hénaff 69200
Vénissieux, France
Ph: +33 (0) 4 72 13 95 07
Fax: +33 (0) 4 72 33 64 57
Email: info@daveyurope.eu

AMÉRICA DEL NORTE

Ph: 1-888-755-8654
Email: info@daveyusa.com

ORIENTE MEDIO

Ph: +971 50 6368764
Fax: +971 6 5730472
Email: info@daveyuae.com

DAVEY

SILENSOR[®]PRO by **DAVEY**

SilensorPRO SP200BT et SP400BT **Pompe pour piscine** **Instructions d'installation et** **d'utilisation**

50/60Hz



SP200BT

SP400BT



FR

Cet appareil,
ses accessoires,
et cordons
se recyclent

À DÉPOSER
EN MAGASIN



OU

À DÉPOSER
EN DÉCHÈTERIE



Veillez consulter le site Web de Davey correspondant à votre région, et dont l'adresse figure au verso de ce document, pour connaître toutes les mises à jour des informations de ce produit.

Veillez fournir ces instructions à l'utilisateur de cet équipement.

Félicitations ! Vous venez d'acquérir une pompe de grande qualité SP200BT ou SP400BT de la gamme SilensorPro. Tous les composants ont été conçus et fabriqués pour assurer un fonctionnement sans défaillance et fiable.

Table des matières :

1. INSTALLATION DE LA POMPE DAVEY À VITESSE VARIABLE	127
Branchements électriques	127
Raccordement de la tuyauterie	128
2. SCHÉMA D'INSTALLATION TYPIQUE.....	129
3. CARACTÉRISTIQUES DE PERFORMANCE	129
3.1 SP200BT Performances hydrauliques.....	129
3.2 SP200BT Caractéristiques électriques	130
3.3 SP400BT Performances hydrauliques.....	130
3.4 SP400BT Caractéristiques électriques	130
4. MODE D' EMPLOI	131
Économies d'énergie réalisées avec votre SilensorPRO.....	131
Liste de contrôle avant utilisation.....	131
Fonctionnement en mode basse consommation	132
Directives et recommandations relatives aux heures de fonctionnement de la pompe.....	132
Vidage du panier filtrant.....	133
Entretien courant	133
5. CARACTÉRISTIQUES ET FONCTIONNALITÉS	134
Voyant lumineux multicolore à LED	134
Technologie de succession de cycles de vitesse de lavage à contre-courant.....	134
Entraînement à fréquence entièrement variable avec cadran de vitesse sélectionnable intuitif	134
Grand récupérateur de peluches de 4,5 litres	134
Conception refroidie par eau brevetée pour un fonctionnement régulier et très silencieux.....	134
SP400BT - Compensation débit / vitesse constante.....	134
SP400BT - Port de communication RJ45 résistant aux intempéries (voir la section 7 pour les modalités de raccordement)	134
6. FONCTIONNALITÉS BLUETOOTH	135
Configuration de l'application Bluetooth	135
Appariement d'un appareil à la pompe	135
Minuterie externe / chlorateur	135
Mode de planification.....	135
Configuration d'un planning	136
Réglages.....	136
Vitesse d'amorçage / Vitesse max.....	136
Lavage à contre-courant.....	137
Minuterie externe	137
Fonction de déconnexion.....	137
Rétablir les réglages d'usine.....	137
Recherche de défauts de la pompe.....	137
7. CONFIGURATION AVANCÉE DE LA POMPE SP400BT	138
Vue d'ensemble des raccordements AUX externes.....	138
Entrées de commande numériques.....	139
Interfaçage d'équipement avec la SilensorPRO SP400BT.....	139
Entrées de commande analogique	140
8. CARACTÉRISTIQUES TECHNIQUES.....	140
9. UTILISATION DE VOTRE SILENSORPRO AVEC UN CHLORINATEUR POUR EAU SALÉE.....	141
10. UTILISATION DE VOTRE ROBOT ASPIRATEUR DE PISCINE.....	141
11. DÉPANNAGE.....	142
12. DÉMONTAGE DE LA POMPE DE LA TUYAUTERIE	142
13. QUALITÉ DE L'EAU.....	142
14. GARANTIE DAVEY.....	144

1. INSTALLATION DE LA POMPE DAVEY À VITESSE VARIABLE

La pompe SilensorPRO doit être placée le plus près possible de l'eau et montée sur une base ferme dans une position bien drainée, suffisamment haut pour éviter un débordement. Il relève de la responsabilité de l'installateur/du propriétaire de placer la pompe de façon à ce que la plaque signalétique soit facilement lisible et que la pompe SilensorPRO soit facilement accessible pour une intervention. Il est recommandé de protéger la pompe SilensorPRO contre les intempéries. Les enceintes doivent être ventilées afin d'empêcher une accumulation de condensation.



Le non-respect de ces instructions et de l'ensemble des codes en vigueur peut causer de graves blessures et dommages matériels.

L'installation et la maintenance de cette pompe nécessite une expertise professionnelle. L'installation de ce produit doit être effectuée par une personne compétente en exigences de plomberie de piscine et qui suit les instructions d'installation fournies dans ce manuel.

Branchements électriques



INFORMATION IMPORTANTE Votre pompe SilensorPRO est doublement isolée par rapport au circuit d'eau. Si la structure de liaison équipotentielle est nécessaire, un point de liaison équipotentielle est fourni. (Veuillez vous référer à vos normes et/ou réglementations locales pour connaître les normes de câblage équivalentes AS/NZ 3000).

ATTENTION ! Pour des raisons de sécurité, nous conseillons d'installer toutes les marques et tous les types de pompes de piscine conformément à la norme AS/NZS 3000 connue comme la réglementation locale relative au câblage ou une norme locale équivalente. Tous les travaux électriques doivent être effectués par un électricien qualifié. Davey recommande que toutes les installations soient équipées d'un dispositif de protection contre les fuites ou le courant résiduel avec raccordement à la terre. Courant résiduel nominal ne dépassant pas 30 mA.

ATTENTION ! Vérifiez qu'il y a un sectionneur électrique facilement accessible pour arrêter la pompe en cas d'urgence.

«L'alimentation électrique doit être équipée d'un dispositif de protection contre les surintensités avant d'être connectée à l'appareil.

Débranchez toujours l'appareil avant de le monter, de le démonter ou de le nettoyer.»

F	NFC C 15-100	GB	BS7671:1992
D	DIN VDE 0100-702	EW	EVHS-HD 384-7-702
A	OVE 8001-4-702	H	MSZ 2364-702:1994/MSZ 10-533 1/1990
E	UNE 20460-7-702 1993, REBT ITC-BT-31 2002	M	MSA HD 384-7-702.S2
IRL	IS HD 384-7-702	PL	PN-IEC 60364-7-702: 1999
I	CEI 64-8/7	CZ	CSN 33 2000 7-702
LUX	384-7.702 S2	SK	STN 33 2000-7-702
NL	NEN 1010-7.702	SLO	SIST HD 384-7-702.S2

La pompe SilensorPRO est adaptée à un raccordement à une alimentation minimale de 220 - 240 Volts et 50 / 60Hz et est équipée d'un cordon flexible. Si aucune prise secteur n'est disponible à moins de 3 mètres de la pompe, il faut faire installer une prise électrique adéquate à 3 broches dans un endroit sec et sûr par un électricien. Les rallonges sont dangereuses autour des piscines et doivent être évitées. Si le cordon d'alimentation de cette pompe SilensorPRO est endommagé, confiez son remplacement à Davey ou à un agent agréé qui procédera au remplacement avec des pièces de rechange Davey authentiques.

Cette pompe SilensorPRO comprend une détection de surcharge de moteur conçue pour protéger le moteur d'une surchauffe. Si le moteur devient trop chaud pendant le fonctionnement, sa vitesse de fonctionnement diminuera afin de redescendre à une température de fonctionnement acceptable puis la vitesse augmentera jusqu'à atteindre la vitesse initialement réglée.

Pour réinitialiser le moteur, mettez-le hors tension pendant 30 secondes, puis remettez-le sous tension grâce à l'interrupteur principal.

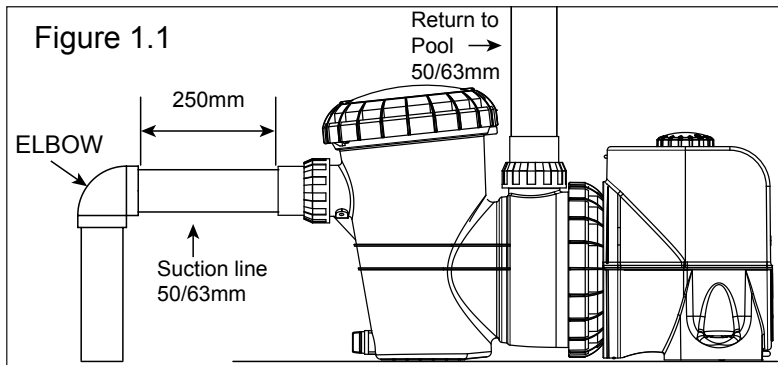
Raccordement de la tuyauterie

Des raccords-écrous sont fournis pour raccorder la tuyauterie à la piscine. Les pompes sont conçues pour accepter des pièces de fixation en PVC de 50 / 63 mm.

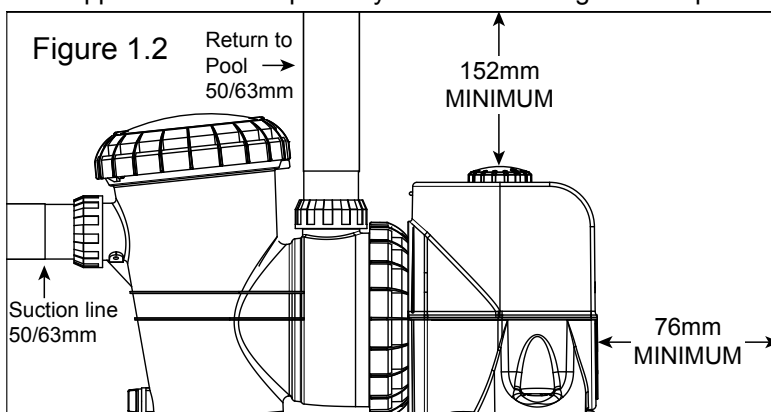


INFORMATION IMPORTANTESi la pompe SilensorPRO et le filtre se situent sous le niveau d'eau de la piscine, il faut installer des robinets d'isolement au niveau du tuyau entre la pompe et le boîtier d'écumoire et au niveau du tuyau de retour allant du filtre à la piscine. Lors de la pose de la conduite de refoulement, vérifiez que la tuyauterie n'interfère pas avec le cadran de vitesse de la pompe. Les raccords-écrous doivent être serrés à la main. Vous n'avez besoin d'aucun produit d'étanchéité, colle ni silicone. Les pièces de fixation de ce produit sont réalisées en ABS. Certains mastics d'étanchéité de PVC sont incompatibles avec le matériau ABS. Vérifiez que le mastic est compatible avant utilisation.

L'utilisation d'une conduite plus petite que ce qui est spécifié ci-dessus est déconseillée. La tuyauterie d'aspiration doit être exempte de fuites d'air. Les bosses et les cavités causent des difficultés d'aspiration. Pour obtenir les meilleurs résultats, la pompe SilensorPRO doit être installée de telle sorte que l'eau turbulente soit limitée autant que possible. Comme cela est présenté sur la Figure 1.1, en cas d'installation d'un coude à 90°, il convient de respecter une distance minimale de 250 mm par rapport au raccord union d'entrée. Les vannes d'isolement, utilisées lorsque l'équipement est situé en dessous du niveau de l'eau de la piscine, devraient également être installées à une distance supérieure à 250 mm par rapport au raccord union d'entrée. Cela aidera le flux laminaire.



La tuyauterie de refoulement venant de la sortie de pompe SilensorPRO doit être raccordée au raccord d'entrée sur le filtre de la piscine (généralement sur la vanne de régulation du filtre). Comme le montre la Figure 1.2, garantir une distance suffisante au-dessus de la pompe pour ne pas interférer avec le cadran de vitesse de la pompe SilensorPRO. Utiliser un clapet antiretour dans la conduite de refoulement en utilisant cette pompe pour toute application dans laquelle il y a une hauteur significative pour la tuyauterie après la pompe.

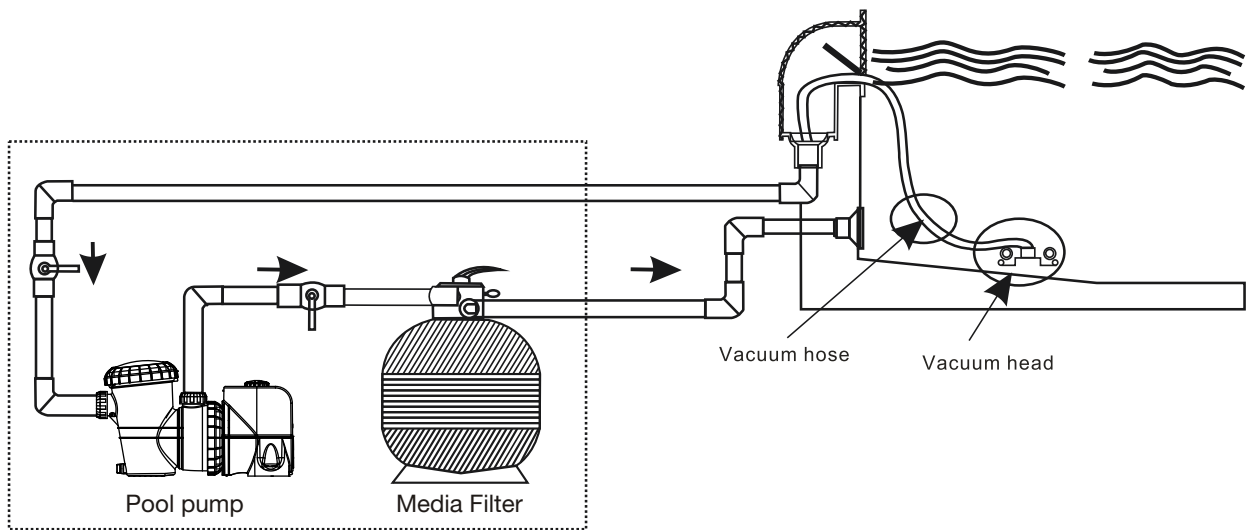


Veiller à installer des clapets antiretour quand la tuyauterie est reliée à une autre pompe. Cela aide à prévenir une rotation inverse de la turbine et du moteur.



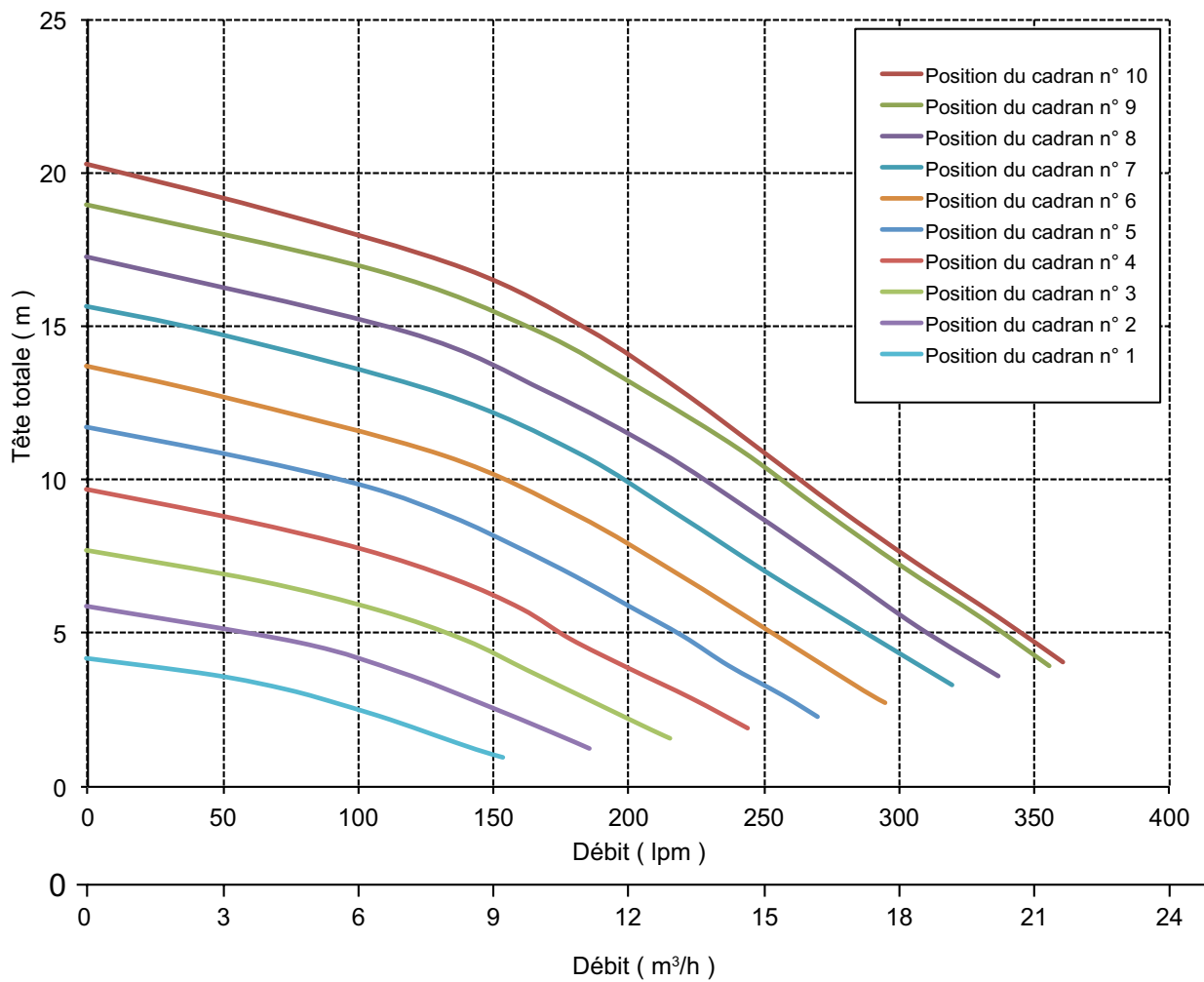
ATTENTION ! L'aspiration de la pompe est dangereuse et peut piéger, noyer ou éviscérer un baigneur. Ne bloquez pas l'aspiration. N'utilisez pas de piscines, spas ou bains bouillonnants si un couvercle d'aspiration est cassé, manquant ou desserré. Deux couvercles ou entrées d'aspiration doivent être fournis dans chaque pompe afin d'éviter un effet ventouse.

2. SCHÉMA D'INSTALLATION TYPIQUE



3. CARACTÉRISTIQUES DE PERFORMANCE

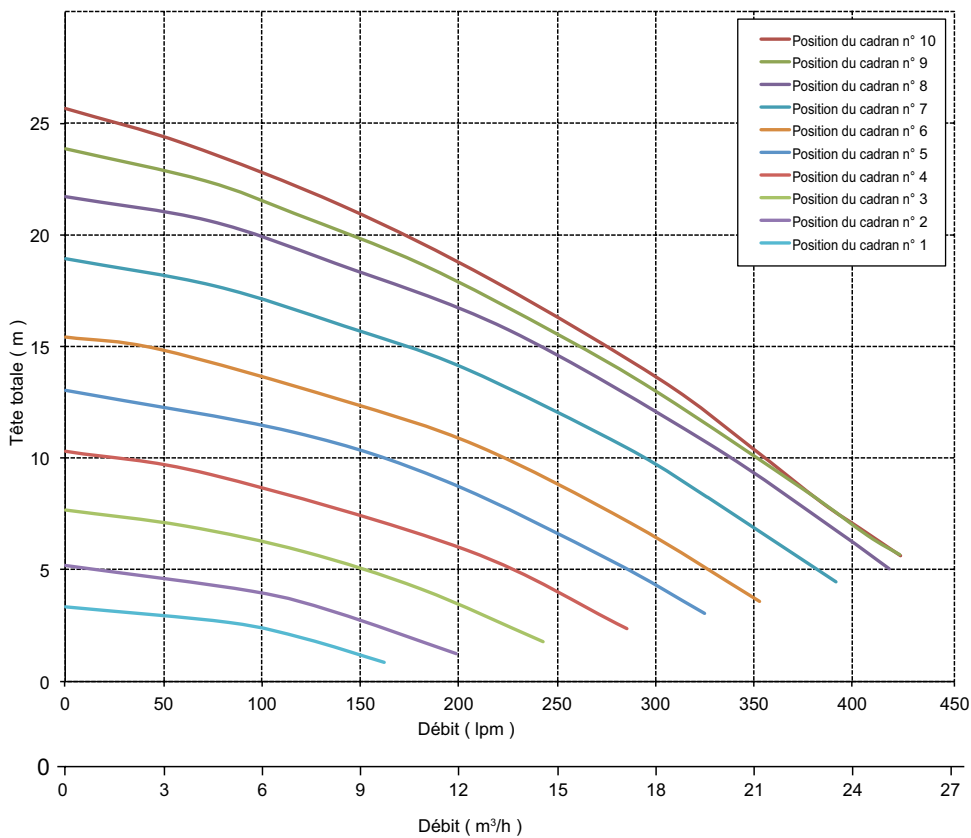
SP200BT Performances hydrauliques



SP200BT Caractéristiques électriques

Vitesse Réglages	Meilleur point d'efficacité							Maximum						
	Débit		Tête	La puissance d'entrée (P ₁)		Puissance de sortie (P ₂)		Débit		Tête	La puissance d'entrée (P ₁)		Puissance de sortie (P ₂)	
	L/min	m ³ /h	m	hp	W	hp	W	L/min	m ³ /h	m	hp	W	hp	W
Cadran 1	85	5.1	3	0.16	123	0.11	86	155	9.3	4	0.17	128	0.12	90
Cadran 2	100	6.0	4	0.26	193	0.18	135	187	11.2	6	0.28	207	0.19	145
Cadran 3	125	7.5	5	0.38	283	0.26	198	217	13.0	7	0.39	293	0.27	205
Cadran 4	143	8.6	6	0.51	383	0.36	268	246	14.8	10	0.53	398	0.37	279
Cadran 5	155	9.3	8	0.66	495	0.46	347	272	16.3	12	0.70	524	0.49	367
Cadran 6	160	9.6	10	0.82	612	0.57	428	297	17.8	14	0.87	655	0.61	459
Cadran 7	183	11.0	11	1.02	766	0.71	536	322	19.3	16	1.08	807	0.75	565
Cadran 8	195	11.7	12	1.17	880	0.82	616	339	20.3	17	1.25	936	0.87	655
Cadran 9	207	12.4	13	1.36	1,017	0.95	712	358	21.5	19	1.44	1,078	1.01	755
Cadran 10	210	12.6	14	1.45	1,090	1.02	763	363	21.8	20	1.48	1,111	1.04	778

SP400BT Performances hydrauliques



SP400BT Caractéristiques électriques

Vitesse Réglages	Meilleur point d'efficacité							Maximum						
	Débit		Tête	La puissance d'entrée (P ₁)		Puissance de sortie (P ₂)		Débit		Tête	La puissance d'entrée (P ₁)		Puissance de sortie (P ₂)	
	L/min	m ³ /h	m	hp	W	hp	W	L/min	m ³ /h	m	hp	W	hp	W
Cadran 1	98	5.9	2	0.16	117	0.11	82	160	9.6	3	0.17	126	0.12	88
Cadran 2	112	6.7	4	0.26	192	0.18	134	197	11.8	5	0.28	210	0.20	147
Cadran 3	140	8.4	5	0.42	316	0.29	221	240	14.4	8	0.46	347	0.32	243
Cadran 4	165	9.9	7	0.62	468	0.44	328	282	16.9	10	0.70	522	0.49	366
Cadran 5	190	11.4	9	0.88	660	0.62	462	322	19.3	13	0.97	728	0.68	509
Cadran 6	200	12.0	11	1.09	817	0.76	572	349	21.0	15	1.22	912	0.85	638
Cadran 7	225	13.5	13	1.44	1,080	1.01	756	388	23.3	19	1.61	1,211	1.13	848
Cadran 8	240	14.4	15	1.77	1,330	1.24	931	414	24.9	22	1.97	1,478	1.38	1,034
Cadran 9	250	15.0	16	1.99	1,495	1.40	1,047	420	25.2	24	2.18	1,636	1.53	1,145
Cadran 10	260	15.6	16	2.16	1,620	1.51	1,134	420	25.2	26	2.19	1,639	1.53	1,147

4. MODE D'EMPLOI

Grâce à la fonctionnalité Bluetooth de cette pompe SilensorPRO, vous pourrez régler et commander les fonctions de la pompe à partir de votre appareil intelligent. Bluetooth est un protocole de communication sans fil qui permet une communication entre des appareils. Cette fonction est prise en charge par tout appareil pouvant télécharger une appli dans iOS ou Android App Store.

Lire intégralement ces instructions avant de démarrer cette pompe. Si vous avez le moindre doute sur les Instructions d'installation et d'utilisation, contactez Davey en vous référant au numéro approprié figurant au verso de ce document.

Chaque pompe SilensorPRO a subi des essais d'eau complets avec un certain nombre de paramètres de débit, pression, tension, intensité et performance mécanique. La technologie de pompe de pointe de Davey fournit une performance de pompage fiable et efficace qui dure encore et encore.

Économies d'énergie réalisées avec votre SilensorPRO

La pompe à vitesse variable de Davey est une pompe extrêmement efficace munie d'un moteur CA infiniment variable de pointe qui fournit de niveaux de bruit, des coûts de fonctionnement plus bas et des émissions de gaz à effet de serre inférieures par rapport à des pompes de piscine classiques.

En raison de sa capacité à fonctionner à des vitesses plus basses que des pompes classiques, votre pompe subira également moins d'usure mécanique, car les composants mécaniques internes sont soumis à moins de contraintes. Il est facile d'obtenir un pompage économe en énergie. Faites simplement fonctionner la pompe de filtration à une vitesse inférieure, mais pendant plus longtemps qu'une pompe à vitesse fixe classique pour renouveler l'eau de votre piscine pour une filtration et une aseptisation adéquates. Le résultat est une faible consommation d'énergie et une baisse de coûts opérationnels pouvant atteindre 70%.

La pompe SilensorPRO est dotée de réglages de vitesse ajustables, vous permettant ainsi de faire varier la vitesse à laquelle circule l'eau de votre piscine ou de votre spa. Les vitesses peuvent être réglées pour alimenter un robot aspirateur de piscine, un système de nettoyage au sol et des chauffe-piscines. Un réglage de lavage à contre-courant sur la pompe peut être sélectionné pour laver à contre-courant une couche filtrante.

À quoi s'attendre avec la pompe SilensorPRO (fonctionnement économe en énergie) installée dans votre piscine :

- Si votre pompe SilensorPRO remplace une pompe à moteur CA classique, vous devrez la faire fonctionner plus longtemps que votre ancienne pompe à vitesse fixe. Cela est NORMAL et les réglages de vitesse inférieurs vous permettront de réaliser des économies d'énergie.
- Vous remarquerez également que le manomètre sur votre filtre indique une pression bien inférieure à celle dont vous avez l'habitude. Cela est également NORMAL. La pression inférieure du système résulte simplement d'une vitesse et d'un débit inférieurs produits par la pompe.
- Quand la pompe fonctionne aux réglages de vitesse inférieurs, vous remarquerez également une réduction importante du bruit de la pompe. Cela est un avantage majeur pour vous, car cela vous permet d'utiliser votre pompe SilensorPRO en bénéficiant des tarifs heures creuses d'électricité, ce qui aide également à réduire vos coûts opérationnels. De plus, vous ferez également plaisir à vos voisins.

De nombreux produits de piscine dépendent de débits minimum pour un meilleur fonctionnement ou un meilleur rendement. Si vous utilisez des réglages de débit faibles sur la pompe SilensorPRO (par ex. vitesse 1 à 4), Davey vous recommande de vérifier la compatibilité de la vitesse ou le débit minimum requis pour le fonctionnement d'équipements de piscine spécifiques tels que :

- Robots aspirateurs de piscine ;
- Générateurs d'ozone ;
- Systèmes de chauffage ;
- Cellules de chlorateur à eau salée ;
- Systèmes de nettoyage de piscine au sol.

Liste de contrôle avant utilisation

- Le réglage de la vitesse choisi est compatible avec les autres équipements de la piscine ;
- La pompe est installée dans un environnement sûr et sec ;
- L'enveloppe de la pompe a un drainage adéquat en cas de fuite ;
- Tous les bouchons de transport sont enlevés ;
- La tuyauterie est correctement étanchéifiée et soutenue ;
- La pompe est amorcée correctement ;
- L'alimentation électrique est correctement connectée ;
- Toutes les mesures ont été prises pour un fonctionnement sûr ;
- Le filtre a été raccordé avec un tuyau de 50 / 63 mm ;
- Les paramètres de planification (appli) correspondent à toutes les autres heures du système

Fonctionnement en mode basse consommation

Les paramètres de vitesse de votre pompe SilensorPRO SP200BT s'étendent de 1500 à 3600 tours par minute. Les paramètres de vitesse de votre pompe SilensorPRO SP400BT s'étendent de 1050 à 3100 tours par minute. La vitesse 1 est la plus lente et la vitesse 10 est la plus rapide.

- La vitesse 1 fournit la vitesse la plus basse et donc le meilleur rendement énergétique.

Fonctionnement	Réglage de vitesse recommandé
Lavage à contre-courant de votre couche filtrante	Vitesse de lavage à contre-courant
Filtration de piscine	Vitesse 1 à 4
Fonctionnement du robot aspirateur de piscine	Vitesse 5 à 8
Nettoyage manuel de votre piscine	Vitesse 9 à 10
Utilisation du jet d'eau	
Utilisation de jet de spa	
Systèmes de nettoyage au sol	
Chauffe-piscine solaire	

Directives et recommandations relatives aux heures de fonctionnement de la pompe

Le taux de renouvellement minimal pour les piscines privées doit être un simple renouvellement du volume de l'eau de la piscine dans son intégralité, lors de la période quotidienne pendant laquelle la pompe fonctionnerait normalement. Le tableau ci-dessous fournit uniquement à titre indicatif les durées de fonctionnement de votre pompe lorsqu'elle est en mode de filtration afin d'obtenir le taux de renouvellement minimal:

SilensorPRO SP200BT

Taille de la piscine (litres)	Réglage de vitesse (heures)		
	Vitesse 1	Vitesse 5	Vitesse 10
20 000	3,3	1,7	1,1
30 000	5,0	2,5	1,7
40 000	6,7	3,3	2,2
50 000	8,3	4,2	2,8
60 000	10,0	5,0	3,3
80 000	13,3	6,7	4,4
100 000	16,7	8,3	5,6

SilensorPRO SP400BT

Taille de la piscine (litres)	Réglage de vitesse (heures)		
	Vitesse 1	Vitesse 5	Vitesse 10
20 000	2,4	1,3	0,9
30 000	3,7	2,0	1,4
40 000	4,9	2,7	1,9
50 000	6,1	3,3	2,3
60 000	7,4	4,0	2,8
80 000	9,8	5,3	3,8
100 000	12,3	6,7	4,7



Conformément à la norme EN60335.1, nous avons l'obligation de vous informer que cet appareil peut être utilisé par des enfants de plus de 8 ans et des personnes dont les capacités physiques, sensorielles ou mentales réduites, ou n'ayant pas d'expérience et de connaissance si elles sont supervisées ou ont été instruites concernant l'utilisation de l'appareil d'une manière sûre et comprennent les risques encourus. Surveillez les enfants pour s'assurer qu'ils ne jouent pas avec l'appareil.

Vidage du panier filtrant

Le panier filtrant doit être inspecté fréquemment par le couvercle transparent et vidé quand une accumulation de débris est évidente. Suivez les instructions suivantes.

- Arrêtez la pompe et débranchez la fiche de l'alimentation électrique ;
- Dévisser le couvercle du panier filtrant dans le sens inverse des aiguilles d'une montre et l'enlever.
- Enlever le panier filtrant en le levant hors de son logement.
- Vider les déchets qui ont été piégés dans le panier. Asperger d'eau si nécessaire.



REMARQUE : Ne cognez JAMAIS le panier en plastique sur une surface dure, car cela l'endommagerait.

- Vérifier si le panier filtrant comporte des fissures, puis replacer le panier dans la pompe s'il est intact.
- Replacer le couvercle et vérifier qu'il assure l'étanchéité sur le grand joint torique en caoutchouc. Un serrage ferme à la main est suffisant. Le joint torique et le filet peuvent être lubrifiés avec Hydraslip ou des produits équivalents.



Un manquement à un entretien régulier peut causer des dommages non couverts par la garantie.

Entretien courant

Pour optimiser la durée de vie de la SilensorPRO, et pour votre sécurité personnelle, utilisez cette liste de contrôle une fois par semaine. S'assurer que la pompe est éteinte avant de la démarrer et qu'elle est débranchée de l'alimentation électrique :

- Vérifier que les manomètres sont en état de marche et que la pression de fonctionnement est dans les limites spécifiées sur le produit ;
- Inspecter chaque entrée d'aspiration et vérifier que chaque drain principal ait un couvercle bien fixé et en bon état de marche ;
- Vérifier que tous les couvercles d'écumoire sont bien fixés et en bon état de marche. Ils devraient être remplacés tous les 3 à 4 ans ;
- Enlever toutes les obstructions et tous les débris qui sont sur le couvercle du drain principal.
- Vérifier que les paniers et l'écumoire de la pompe sont exempts de feuilles et de débris au moins une fois par semaine ;
- Enlever les obstructions et les combustibles qui sont autour du moteur de la pompe ;
- Vérifier que toutes les connexions de câblage sont propres et que tous les câbles et équipements électriques sont en bon état. Confier la réparation ou le remplacement de tout câblage endommagé à un électricien qualifié dès que le dommage est constaté.
- Vérifier l'équilibre de l'eau et les niveaux du stérilisateur auprès de votre magasin de piscine local.

5. CARACTÉRISTIQUES ET FONCTIONNALITÉS

La pompe SilensorPRO est dotée de plusieurs caractéristiques opérationnelles. Les éléments suivants expliquent chacune d'elles.

Voyant lumineux à LED multicolore

Sert à identifier les paramètres requis pour la durée de programmation pour la succession de cycles et les avertissements de pleine vitesse (augmentation) :

- Vert fixe = Fonctionnement de cadran normal
- Vert clignotant lentement = Mode Lavage à contre-courant
- Vert clignotant rapidement = Commande externe AUX
- Blanc fixe = Durée avant le lavage à contre-courant
- Blanc clignotant rapidement = Erreur détectée - réinitialisation de la pompe
- Bleu clignotant lentement = Commande par Bluetooth
- Bleu fixe = Mode Bluetooth

Technologie de succession de cycles de vitesse de lavage à contre-courant

Quand la pompe SilensorPRO est en mode de lavage à contre-courant, le cycle est réglé entre une vitesse basse et élevée pour faciliter les mouvements appliqués à la couche filtrante, assurant un nettoyage plus efficace. Cela réduit le gaspillage d'eau lors du procédé de succession des cycles de lavage à contre-courant.

Entraînement à fréquence entièrement variable avec cadran de vitesse sélectionnable intuitif

- Permet de sélectionner facilement la vitesse de filtration voulue
- Pas de commandes de boutons-poussoirs numériques compliquées

Grand récupérateur de peluches de 4,5 litres

- Pour prolonger les intervalles entre les nettoyages

Conception refroidie par eau brevetée pour un fonctionnement régulier et très silencieux

La pompe SilensorPRO est dotée d'une membrane refroidie par eau et d'une chemise autour du moteur qui aide à garder la pompe froide pendant le fonctionnement. La chaleur perdue générée par le moteur est transférée dans l'eau de la piscine, aidant ainsi à réduire les coûts énergétiques liés au chauffage de la piscine.

SP400BT - Compensation débit / vitesse constante

Lorsque le filtre de la piscine est sale, la pression augmente. Avec une pompe de piscine typique, cela ralentirait naturellement le débit d'eau passant à travers le système. La pompe SilensorPRO est en mesure de détecter automatiquement la résistance appliquée par un filtre et de compenser lentement le débit de réduction, en augmentant la vitesse du moteur. Cela permet de garder un débit constant entre les nettoyages de filtre.

Lorsque la pompe SilensorPRO détecte une augmentation de la vitesse, cela indique qu'il est temps de procéder au lavage à contre-courant de votre filtre, ainsi l'indicateur LED est blanc fixe (voir point ci-dessus).

SP400BT - Port de communication RJ45 résistant aux intempéries (voir la section 7 pour les modalités de raccordement)

- Pour la communication et la connexion avec des systèmes de contrôle de piscine externes
- Pour recevoir un signal venant d'une pompe à chaleur ou d'un réchauffeur à gaz et accélérer la vitesse de la pompe SilensorPRO jusqu'à la vitesse maximale lors du procédé de chauffage
- Diagnostic d'entretien et mises à jour de logiciel (réservé à Davey)

6. FONCTIONNALITÉS BLUETOOTH

Configuration de l'application Bluetooth

- Ouvrez l'appli « App Store » qui est disponible sur votre appareil.
- Recherchez « Davey Pool Pump ».
- Installez l'application sur votre appareil.



L'appli peut être installée sur autant d'appareils que vous voulez, mais un seul appareil peut commander la pompe à un moment donné. La langue et l'heure de l'appli sont les mêmes que celles réglées sur votre appareil. Les unités de mesure sont automatiquement réglées par défaut selon les unités de votre appareil, mais vous pouvez choisir entre les litres, les galons et les m³/h.

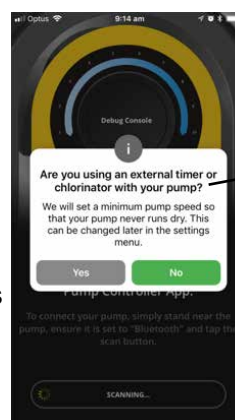
Appariement d'un appareil à la pompe

- Ouvrez l'application sur votre appareil intelligent.
- Sur le cadran de la pompe, passez du mode « Off / Désactivé » au mode « Bluetooth », et vous verrez la LED clignoter en blanc pendant une seconde.
- Sur votre appareil, appuyez sur le bouton de connexion.
- Lors de la configuration initiale UNIQUEMENT, sélectionnez « Oui » pour autoriser la localisation.
- Lors du premier appariement des appareils, vous disposez d'un laps de temps de 2 minutes pour appairer les appareils. Une fois ce délai passé, vous devrez recommencer la procédure.

Minuterie externe / chlorateur

Une fenêtre contextuelle vous demandera si vous utilisez une minuterie externe ou un chlorateur pour commander votre pompe SilensorPRO. Sélectionnez « Oui », « Non ». Il s'agit d'une fonction de sécurité permettant de s'assurer que le chlorateur ne fonctionne que lorsque la pompe est en marche.

Remarque : Les captures d'écran de l'application sont présentées à des fins de démonstration uniquement. Les captures d'écran réelles peuvent varier.



Cette fenêtre contextuelle s'affichera.

Mode manuel ou mode programmé

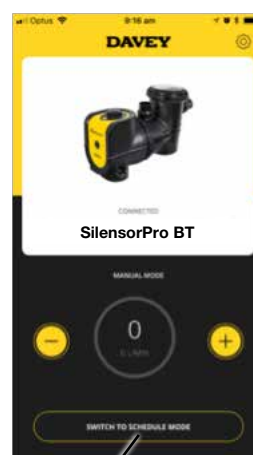
Deux modes sont disponibles : vous pouvez soit - faire fonctionner la pompe SilensorPRO en mode manuel, soit - créer un planning de fonctionnement.

Mode manuel

- En mode programmé, appuyez sur « Passer en mode manuel ».
- L'appli est désormais en mode manuel et vous pouvez régler manuellement la vitesse en appuyant sur les boutons (+/-).
- En mode manuel, la pompe fonctionnera à la vitesse réglée, même si le téléphone est hors de portée.
- Lorsque le cadran est mis en position Bluetooth, la pompe fonctionne à la vitesse réglée précédemment, après le cycle d'amorçage.

Mode programmé

- Il y a deux options (régler un cycle quotidien ou un cycle hebdomadaire) en appuyant sur la case voulue.
- Cette option vous permet de créer un « planning quotidien » standard qui gèrera constamment les niveaux réglés chaque jour ;



Pour basculer entre le mode manuel et le mode de planification, vous pouvez appuyer sur ce bouton.

Il y a deux options (régler un cycle quotidien ou un cycle hebdomadaire) en appuyant sur la case voulue. Cette option vous permet de créer un « planning quotidien » standard qui gèrera constamment les niveaux réglés chaque jour

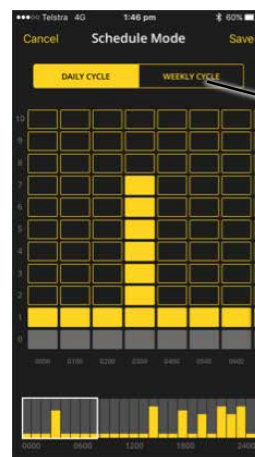
- L'option « cycle hebdomadaire » peut être réglée pour toute la semaine, ce qui vous permet de modifier les cycles quotidiens de la pompe en fonction de la météo, du nombre de personnes présentes dans la piscine, etc.

Configuration d'un planning

- Sélectionnez la case correspondant à l'heure à laquelle vous voulez que la pompe fonctionne.
- Réglez la vitesse à laquelle vous souhaitez que la pompe fonctionne à tout moment. Remarque : Les réglages de la pompe (1 à 10) se rapportent à la vitesse de fonctionnement « de la plus lente à la plus rapide » de la pompe ;
- Une fois que vous jugez le planning satisfaisant, sélectionnez « Sauvegarder ». Les communications entre l'appareil et la pompe peuvent prendre jusqu'à 20 secondes selon le planning sélectionné.
- La ligne en bas de l'écran présente, de manière résumée, le statut du planning, par jour et par heure. Vous pouvez facilement modifier cet écran de résumé en glissant vers le haut ou le bas les colonnes ci-dessus.
- **Remarques** : Si vous utilisez un chlorinateur, vous devez vous assurer que les heures « de fonctionnement » de la pompe correspondent aux heures « de fonctionnement » du chlorinateur. La pompe fonctionnera selon le mode utilisé, qu'elle soit en mode manuel ou en mode programmé.



Sélectionnez cela pour modifier les paramètres de planification.



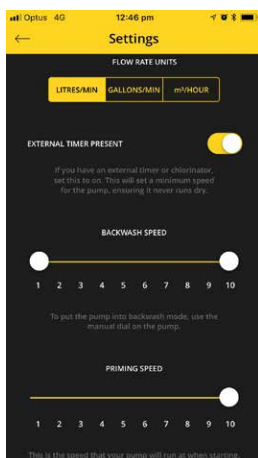
Sélectionnez cela si vous souhaitez le cycle quotidien ou le cycle hebdomadaire.

Réglages

Pour modifier les réglages, cliquez sur l'icône Réglages :



Cela affichera les écrans suivants. (Faites défiler l'écran vers le bas pour voir toutes les informations.)



Vitesse d'amorçage / vitesse max.

À chaque fois que la pompe démarre, elle s'amorcera pendant 2 minutes afin d'assurer la présence d'eau dans le système. Vous pouvez régler la vitesse à laquelle elle fait cela entre 5 et 10. La vitesse que vous réglez limitera la vitesse maximale à laquelle la pompe fonctionnera en mode manuel ou en mode programmé.

Lavage à contre-courant

Peut être réglé en tant que vitesse simple ou alternativement réglé en tant que deux vitesses et la vitesse de la pompe « variera » entre les deux réglages. La vitesse minimale peut être réglée entre 1 et 10, tandis que la vitesse maximale peut être réglée uniquement entre 5 et 10.

Minuterie externe

Faites glisser pour l'activer ou la désactiver, selon si vous utilisez une minuterie externe/chlorinateur.

Fonction de déconnexion

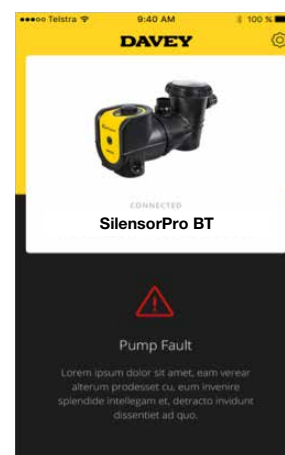
La fonction « Se déconnecter de la pompe » peut être utilisée pour :

- Permettre à un autre appareil de commander la pompe ;
- Déconnecter l'appareil, pour qu'il ne se connecte pas automatiquement à la pompe ;
- Veuillez noter que la connexion Bluetooth se déconnectera automatiquement au bout d'une minute en cas d'absence de communication.

Rétablir les réglages d'usine

Cela rétablira la configuration d'usine de la pompe et vous permettra de redémarrer le procédé de configuration.

- Sélectionnez « Réinitialiser la pompe » ;
- Réglez le cadran en position « Off / Désactivation », puis sur « Bluetooth ».
- Vous pouvez ensuite appairer à nouveau la pompe avec votre téléphone. Cette procédure est en place pour que la pompe ne puisse pas être réinitialisée accidentellement.



Recherche de défauts de la pompe

Dans l'éventualité où il y aurait une erreur, l'écran suivant s'afficherait, avec un texte en dessous décrivant la marche à suivre pour corriger l'erreur.

Intitulé de la défaillance	Description de la défaillance
Défaillance de la pompe - surtension	Vérifier que le moteur peut tourner librement. Débrancher pendant 1 minute puis brancher à nouveau pour réinitialiser. Si le problème persiste, appeler Davey, ou un réparateur agréé.
Défaillance de la pompe - sous-tension	Problème d'alimentation. Lorsque l'alimentation est de nouveau suffisante, débrancher pendant 1 minute puis brancher à nouveau pour réinitialiser.
Défaillance de la pompe - température trop élevée	La pompe est trop chaude. Vérifier la température ambiante. Régler la vitesse la plus basse possible si la température ambiante est trop élevée.
Défaillance de la pompe - moteur au point mort	Vérifier que le moteur peut tourner librement. Débrancher pendant 1 minute puis brancher à nouveau pour réinitialiser.
Défaillance de la pompe - sous-tension / désamorçage	Vérifier s'il y a suffisamment d'eau dans la pompe. Débrancher pendant 1 minute puis brancher à nouveau pour réinitialiser. Si le problème persiste, appeler Davey, ou un réparateur agréé.

Défaillance de la pompe - température du moteur trop élevée ; ou
 Défaillance de la pompe - surtension ; ou
 Défaillance de la pompe - défaut de mise à la terre ; ou
 Défaillance de la pompe - défaillance du système ; ou
 Défaillance de la pompe - défaut de phase de sortie ; ou
 Défaillance de la pompe - surtension ; ou
 Défaillance de la pompe - erreur EEPROM ; ou
 Défaillance de la pompe - erreur de la fonction de surveillance ; ou
 Défaillance de la pompe - protection arrière EFM (Ethernet longue portée) ; ou
 Défaillance de la pompe - défaillance de la résistance à coefficient de température négatif ; ou
 Défaillance de la pompe - absence de couple ; ou
 Défaillance de la pompe - communication bus interne ; ou
 Défaillance de la pompe - erreur de l'application ; ou
 Défaillance de la pompe - température IGBT (transistor bipolaire à grille isolée) élevée ; ou
 Défaillance de la pompe - défaut d'entrée analogique 4mA ; ou
 Défaillance de la pompe - défaillance externe ; ou
 Défaillance de la pompe - erreur de communication avec le clavier ; ou
 Défaillance de la pompe - erreur de communication avec le bus de terrain ; ou
 Défaillance de la pompe - erreur d'interface du bus de terrain.

Débrancher pendant 1 minute puis rebrancher pour réinitialiser. Si le problème persiste, appeler Davey, ou un réparateur agréé.

7. CONFIGURATION AVANCÉE DE LA POMPE SP400BT

Vue d'ensemble des raccordements AUX externes

Votre SilensorPro SP400BT a une prise étanche à l'eau de type RJ45 pour permettre une commande externe de la vitesse du moteur et des autres fonctionnalités. Un câble réseau RJ45 standard (sans manchon de protection) peut être utilisé.



Figure 7.1: Fiche RJ45 installée dans le logement (de derrière)

Recommandation : la longueur du câble entre la pompe et le contrôleur de piscine externe ou le dispositif de chauffe doit être aussi courte que possible. Il y a deux configurations de broches principales comme indiqué ci-dessous :

Fiche RJ45

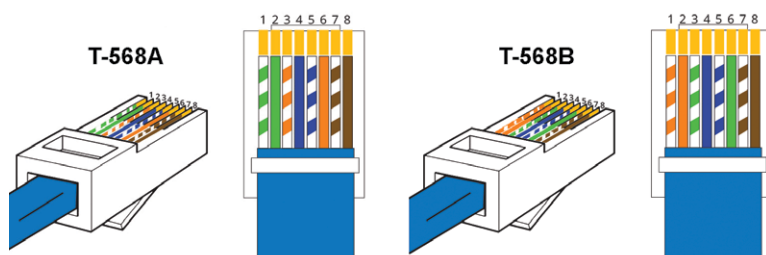


Figure 7.2 : Raccordement des fiches RJ45

Broche	Fonction	T-568A	T-568B
1	RS485 +ve	Vert/blanc	Orange/blanc
2	RS485 -ve	Vert	Orange
3	Entrée numérique 3	Orange/blanc	Vert/blanc
4	Entrée analogique	Bleu	Bleu
5	Terre 0 V CC	Bleu/blanc	Bleu/blanc
6	Entrée numérique 2	Orange	Vert
7	Entrée numérique 1	Marron/blanc	Marron/blanc
8	24 V	Marron	Marron

Vérifiez que le code couleur du câble que vous utilisez corresponde au code couleur ci-dessus pour les broches 1 à 8. Si un code couleur alternatif est utilisé, il convient de noter la couleur de chaque broche afin d'éviter tout branchement incorrect au contrôleur de la piscine ou au dispositif de chauffe. Si un câble alternatif est utilisé, vérifiez que l'entrée analogique et la mise à la terre sont une paire torsadée.

La connexion de 24 V sert uniquement de référence aux entrées numériques, n'alimentez PAS un équipement externe à partir de cette rampe d'alimentation.

Entrées de commande numériques

Les 3 entrées numériques permettent d'ignorer le réglage de vitesse du cadran. Pour régler l'une de ces entrées, choisissez l'une des options suivantes :

- Connectez une alimentation de 24 V isolée entre la mise à la terre et la broche d'entrée numérique
- Connectez les contacts commutés d'un relais entre la broche de 24 V et l'entrée numérique

Les vitesses définies (par rapport à la pleine vitesse) sont :

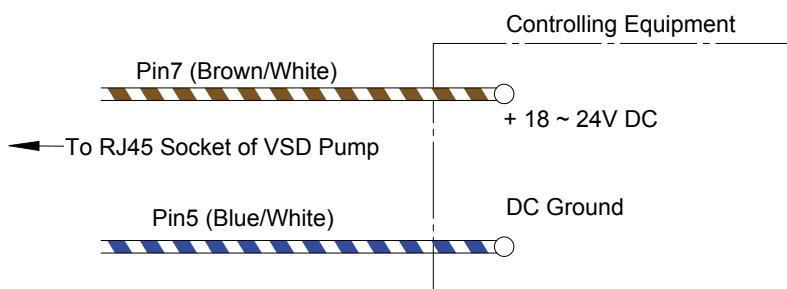
Entrée 1 (Broche 7)	Entrée 2 (Broche 6)	Entrée 3 (Broche 3)	Vitesse de sortie
0	0	0	Cadran
0	0	24 V	33 %
0	24 V	0	50%
0	24 V	24 V	Lavage à contre-courant
24 V	0	0	100%
24 V	0	24 V	67%
24 V	24 V	0	83%

Interfaçage d'équipement avec la SilensorPRO SP400BT

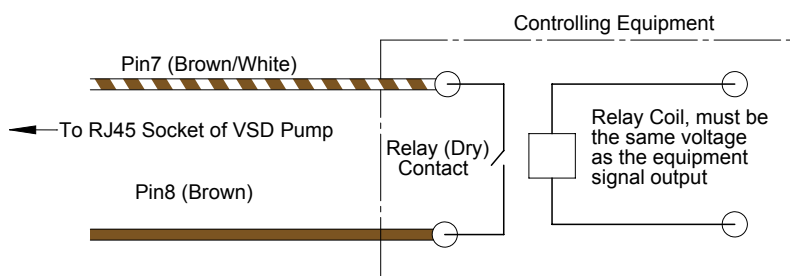


ATTENTION ! Confiez la tâche ci-dessous à un électricien qualifié.

La pompe SilensorPRO SP400BT peut être commandée par un autre équipement pour que le démarrage s'effectue à vitesse élevée (ou d'autres vitesses pré-réglées, Voir Section 8 pour en savoir plus). Cela sert à obtenir un rendement maximal, par exemple, en utilisant un chauffe à gaz ou une pompe à chaleur. Si l'équipement a une sortie de signal CC de 18 à 24 V CC, connectez simplement la broche 7 sur le positif de 24 V CC et la broche 5 sur la mise à la terre CC comme indiqué sur le schéma suivant :



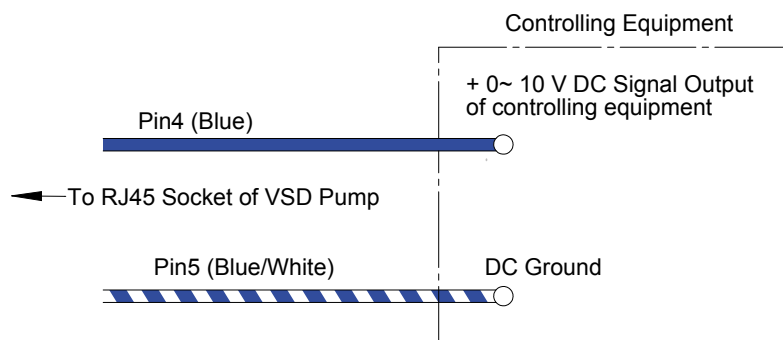
Si l'équipement de commande n'a pas une sortie de tension de 18 à 24 V CC comme ci-dessus et a une sortie de signal de 24 V CA, 230 V CA, 12 V CA ou 12 V CC, etc., un relais adéquat (la tension de bobine doit être identique à la tension de sortie de signal de l'équipement de commande) peut être utilisé pour remplir cette fonction comme mentionné ci-dessus et indiqué sur le schéma suivant :



Si l'équipement de commande a déjà la sortie de relais (contact sec) à des fins de commande, un relais supplémentaire n'est pas nécessaire, connectez simplement la broche 7 (marron/blanc) et la broche 8 (marron) aux contacts secs comme indiqué à gauche du schéma ci-dessus.

Entrée de commande analogique

La vitesse de commande peut également être obtenue en connectant un signal de 0 à 10 V CC à l'entrée sur la broche 4 (mise à la terre sur la broche 5). Dès qu'un signal supérieur à 0 V est enregistré, cette entrée aura la priorité sur les réglages de cadran. Par exemple, un courant 10 V CC va changer la vitesse de la pompe pour atteindre 100%, un courant de 5 V CC va changer la vitesse de la pompe pour atteindre 50%, etc.



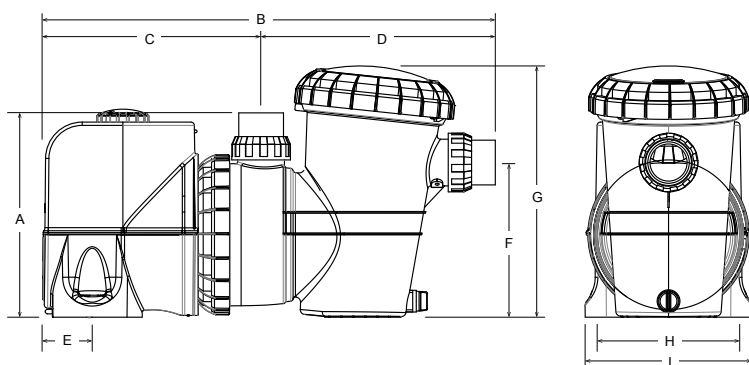
8. CARACTÉRISTIQUES TECHNIQUES

Modèle	SP200BT	SP400BT
Hauteur de refoulement max (m)	20	26
Tours/min	Vitesse 1– 10 : 1 500 - 3 600	Vitesse 1– 10 : 1 050 - 3 100
	Vitesse de lavage à contre-courant : variable	
Classe de l'enceinte (IP)	45	
Classe d'isolement	F	
Tension (V)	220-240 V CA	
Fréquence d'alimentation (Hz)	50/60 Hz	
Puissance d'entrée maximale : (W)	Vitesse 1 : 128	Vitesse 1 : 126
	Vitesse 5 : 524	Vitesse 5 : 728
	Vitesse 10 : 1 111	Vitesse 10 : 1 639
	Vitesse de lavage à contre-courant : variable	

Limites de fonctionnement

Température max. de l'eau :	40 °C	40 °C
Température ambiante max. :	50°C	50°C

Dimensions



A	B	C	D	E	F	G	H	I	Diamètre des trous de fixation	Entrée / Sortie PVC	Poids net (kg)
305mm	670mm	320mm	350mm	65mm	230mm	380mm	200mm	250 mm	10mm	50/63	14

9. UTILISATION DE VOTRE SILENSORPRO AVEC UN CHLORINATEUR POUR EAU SALÉE

Les chlorinateurs nécessitent un débit minimal traversant la cellule du chlorinateur pour un rendement optimal et une durée de vie prolongée de la cellule. Nous vous invitons à vous référer au guide de votre chlorinateur qui vous servira de référence pour connaître le débit requis par votre système de piscine. Vérifiez que le débit est suffisant pour couvrir complètement les plaques de cellule de votre chlorinateur à tout moment pendant le fonctionnement.

10. UTILISATION DE VOTRE ROBOT ASPIRATEUR DE PISCINE

Avant d'installer ou d'acheter un robot aspirateur de piscine à utiliser avec votre pompe SilensorPRO, il est important de connaître les débits minimum requis pour le faire fonctionner efficacement.

Utilisation d'un robot aspirateur de piscine :

- Activez le réglage de débit élevé (10) et laissez la pompe s'amorcer entièrement en la faisant fonctionner environ 2 minutes. Vous saurez que la pompe est amorcée quand vous verrez un fort débit d'eau traverser le couvercle du piège à feuilles.
- Quand tout l'air est expulsé hors du piège à feuilles, connectez fermement le tuyau du robot nettoyeur de piscine à la plaque de l'écumoire ou l'aspiration murale dédiée.
- Sélectionnez le réglage de vitesse permettant d'obtenir la meilleure performance de votre robot nettoyeur de piscine à aspiration. Les vitesses 3 à 7 doivent être suffisantes pour la plupart des robots nettoyeurs, mais si le robot nettoyeur nécessite une meilleure performance, sélectionnez les vitesses 7 à 10.
- Le robot nettoyeur doit être raccordé uniquement le temps nécessaire au nettoyage de la surface de votre piscine. Quand le nettoyage est terminé, désolidarisez le robot nettoyeur et enlevez la plaque de l'écumoire qui est sur la boîte d'écumoire.
- Réactivez le réglage de vitesse le plus efficace pour une filtration quotidienne. Les vitesses 1 à 4 sont recommandées.



REMARQUE : Afin de bénéficier du rendement optimal de votre SilensorPRO, NE laissez PAS le robot nettoyeur de piscine à aspiration raccordé quand un nettoyage n'est pas nécessaire.



REMARQUE : Si la pompe SilensorPRO est raccordée à un minuteur ou à un autre dispositif de contrôle automatique, le câblage doit être déconnecté par un technicien qualifié.

- Fermez les robinets d'eau sur la tuyauterie de retour de la piscine et d'entrée de la pompe SilensorPRO ;
- Enlevez les raccords-écrous de refoulement et d'aspiration en veillant à ne pas desserrer les joints toriques;
- Déplacez la tuyauterie avec les raccords-écrous fixés jusqu'à ce que la pompe puisse être détachée.



REMARQUE : Lorsque vous faites des demandes concernant SilensorPRO, veuillez à mentionner le numéro de modèle figurant sur la plaque signalétique située sur le moteur.

11. DÉPANNAGE

Si la pompe fonctionne, mais que le débit d'eau est nul ou réduit, les conditions suivantes peuvent s'appliquer :

- Le filtre a besoin d'un lavage à contre-courant ou il est bouché. Consultez la section pertinente du manuel du filtre.
- La pompe n'est pas amorcée. Réamorcez-la selon les instructions de la section « Amorçage de la pompe ».
- Il y a des fuites d'air dans la tuyauterie d'aspiration. Vérifiez tous les tuyaux et éliminez les fuites, vérifiez également si le couvercle du panier filtrant est desserré. Des bulles d'air dans l'eau revenant vers la piscine indiqueraient une fuite dans l'aspiration vers la pompe, permettant à l'air d'entrer dans la tuyauterie.
- Un joint d'arbre de pompe qui fuit peut également empêcher son fonctionnement. De l'eau par terre sous la pompe en témoignerait.
- La pompe ne parvient pas à prendre l'eau de la piscine. Vérifiez que les robinets vers la pompe sont complètement ouverts et que le niveau d'eau de la piscine va jusqu'à la boîte d'écumoire. En règle générale, de l'eau à mi-chemin jusqu'à la surface de la boîte d'écumoire suffit ;
- Blocage dans la tuyauterie ou la pompe. Enlevez le panier filtrant et vérifiez s'il y a un blocage vers l'entrée de la turbine de la pompe. Vérifiez si la boîte d'écumoire est bloquée.

Si la pompe ne fonctionne pas, les conditions suivantes peuvent s'appliquer :

- L'alimentation n'est pas connectée. Pour les modèles à 220-240V uniquement, vérifiez le point d'alimentation en y branchant un appareil portatif afin de vérifier que l'alimentation électrique est disponible. Vérifiez également les fusibles et l'interrupteur d'alimentation électrique principal ;
- Une surcharge automatique est déclenchée. La pompe a une surcharge thermique intégrée qui se réinitialisera automatiquement après que le moteur a refroidi suite à une période de surchauffe. Déterminez la cause du déclenchement de surcharge et résolvez le problème. Réinitialisez la pompe en mettant l'équipement hors tension pendant 30 secondes ;
- Le blocage empêche la pompe de tourner.

12. DÉMONTAGE DE LA POMPE DE LA TUYAUTERIE

S'il est nécessaire d'enlever la pompe SilensorPRO, suivez ces instructions :

- Arrêtez la pompe et débranchez la prise de la source d'alimentation.
- Dévisser l'écrou union à l'avant et sur le haut de la pompe, libérant la pompe de la tuyauterie ;
- Faites glisser la pompe pour la dégager.

13. QUALITÉ DE L'EAU

NIVEAU DE PRODUITS CHIMIQUES RECOMMANDÉ POUR L'EAU

EAU DE LA PISCINE ÉQUILIBRAGE	Chlore libre (ppm)	pH	Alcalinité totale TA (ppm)	Dureté calcique (ppm)	Stabilisateur - acide cyanurique (ppm)
Gamme / plage idéale	1 - 3	Piscines en béton et carrelées : 7,4/-7,6 Autres surfaces : 7,2-7,4	Piscines en béton et carrelées – 80-120. Autres surfaces – 125-150	Piscines en béton et carrelées – 200-275. Autres surfaces – 100-225	25 - 50
Augmenter	Augmenter la production du chlorinateur. Ajouter le chlore. Augmenter la durée de filtration.	Ajouter un tampon ou de la soude (carbonate de sodium)	Ajouter du bicarbonate de sodium	Ajouter le chlorure de calcium	Ajouter l'acide cyanurique
Diminuer		Ajouter l'acide chlorhydrique	Ajouter l'acide chlorhydrique ou acide sec	Vidanger partiellement et remplir la piscine d'eau de dureté inférieure pour la dilution	Vidanger partiellement et remplir la piscine pour la dilution
Fréquence des essais	Chaque semaine	Chaque semaine	Chaque semaine	Chaque semaine	Régulièrement



Tâche de maintenance de routine : Pour optimiser la durée de vie de la SilensorPRO, et pour votre sécurité personnelle, utilisez cette liste de contrôle une fois par semaine. S'assurer que la pompe est éteinte avant de la démarrer et qu'elle est débranchée de l'alimentation électrique :

- a. Vérifiez que les manomètres sont en état de marche et que la pression de fonctionnement est dans les limites spécifiées sur le produit.
- b. Inspectez chaque entrée d'aspiration et vérifiez que chaque drain principal a un couvercle bien fixé et en bon état de marche.
- c. Vérifiez que tous les couvercles d'écumoire sont bien fixés et en bon état de marche. Ils doivent être remplacés tous les 3 à 4 ans.
- d. Enlevez toutes les obstructions et tous les débris qui sont sur le couvercle de drain principal.
- e. Vérifiez que les paniers d'écumoire et les récupérateurs de cheveux et de peluches de la pompe sont exempts de feuilles et de débris au moins une fois par semaine.
- f. Enlevez les obstructions et les combustibles qui sont autour du moteur de la pompe.
- g. Vérifiez que toutes les connexions de câblage sont propres et que tous les câbles et équipements électriques sont en bon état. Confiez la réparation ou le remplacement de tout câblage endommagé à un électricien qualifié dès que le dommage est constaté.
- h. Vérifiez l'équilibre de l'eau et les niveaux de stérilisateur auprès de votre magasin de piscine local.



LES RACCORDEMENTS D'ALIMENTATION ET LE CÂBLAGE DOIVENT ÊTRE EFFECTUÉS PAR UN ÉLECTRICIEN AGRÉÉ.



DANGER - Aspiration dangereuse. Ne bloquez l'entrée d'eau dans le système de filtration avec aucune partie de votre corps, car la pression peut piéger les cheveux ou les parties du corps, causant des blessures graves ou la mort. Ne bloquez pas l'aspiration.

Arrêtez immédiatement la pompe si quelqu'un est piégé.

N'utilisez pas de piscines, spas ni bains bouillonnants si un couvercle d'aspiration est cassé, manquant ou desserré. Deux couvercles et entrées d'aspiration doivent être fournis dans chaque pompe afin d'éviter un effet ventouse.



Conformément à l'AS / NZS60335.2.41 nous sommes obligés de vous informer que ce dispositif ne doit pas être utilisé par des enfants ou des personnes handicapées et ne doit pas être utilisé comme un jouet par les enfants.



Attention! N'ajoutez pas de produits chimiques directement dans la boîte d'écumoire. L'ajout de produits chimiques non dilués peut endommager la pompe et le filtre et rendre la garantie caduque.



Attention! Veiller à ce que la pompe soit installée dans un endroit où elle ne sera pas exposée au gel.

Garantie de Davey

Les produits Davey Water Products offrent des garanties qui ne peuvent être exclues en vertu du droit local du pays. Vous avez droit à un remplacement ou un remboursement en cas de défaillance majeure et à une indemnisation pour toute autre perte ou dommage raisonnablement prévisible. Il vous est possible de bénéficier de la réparation ou du remplacement de vos produits si les produits ne parviennent pas à être d'un niveau de qualité acceptable et si la défaillance ne constitue pas une défaillance majeure.

Davey Water Products Pty Ltd (Davey), société située à l'adresse suivante 6 Lakeview Drive Scoresby VIC 3179 fournit la garantie suivante en ce qui concerne ce produit. Davey garantit que, sous réserve des exclusions et limitations ci-dessous, le produit est exempt de tout défaut matériel et défaut de fabrication pendant une période de 24 mois à compter de la date d'achat (période de garantie).

Si le produit présente un défaut avant la fin de la période de garantie et que Davey estime que le produit est défectueux, que cela soit un défaut matériel ou de fabrication, Davey peut, à sa seule discrétion, soit :

1. remplacer ou réparer le produit ou la pièce défectueuse du produit gratuitement ; ou
2. prendre les dispositions nécessaires pour que le produit ou la pièce défectueuse du produit soit réparé(e) ou remplacé(e) par un réparateur qualifié gratuitement.

Davey se réserve le droit de remplacer les pièces défectueuses du produit par des pièces et composants de qualité, de fabrication et de composition similaires lorsqu'une pièce ou un composant identique n'est pas disponible. Les marchandises présentées pour la réparation peuvent être remplacées par des produits remis à neuf du même type plutôt que d'être réparées.

Intervention sous garantie :

1. Si un défaut couvert par la garantie se produit, Davey suggère, en premier lieu, que vous contactiez le revendeur Davey auprès duquel vous avez acheté le produit. Vous pouvez également : contacter par téléphone la ligne de service à la clientèle de Davey au 1300 367 866 en Australie, ou 0800 654 333 en Nouvelle-Zélande ; envoyer une lettre écrite à Davey à l'adresse indiquée ci-dessus ; ou contacter les services par courriel à l'adresse suivante sales@davey.com.au.
2. Toute réclamation de garantie doit être accompagnée d'une preuve d'achat et des détails du défaut allégué.
3. Sur réception de votre demande, Davey cherchera à résoudre vos difficultés, ou si le produit est défectueux ou défaillant, vous conseiller sur la façon de faire réparer votre produit, ou d'obtenir un remplacement ou un remboursement.
4. Cette garantie se limite aux défauts matériaux ou de fabrication du produit et ne couvre pas les pièces d'usure ou le remplacement des pièces en raison de l'usure normale.

Exclusions :

La garantie ne s'applique pas dans les cas suivants :

1. Le produit a été modifié, réparé ou entretenu par quelqu'un d'autre que Davey, ou un réparateur agréé.
2. Davey ne peut établir aucune défaillance au produit après essai.
3. Le produit a été utilisé à d'autres fins que celles pour lesquelles il a été conçu.
4. Le produit a été soumis à des conditions anormales, que ce soit en termes de température, d'eau, d'humidité, de pression, de contrainte ou autre.
5. L'acheteur a utilisé ou adapté des pièces et accessoires non authentiques ou non approuvés.
6. Le défaut du produit résulte d'un abus, d'une négligence ou d'un accident.
7. Le défaut du produit résulte de l'incapacité de l'acheteur à entretenir ou utiliser correctement le produit.
8. Les dégâts ont été causés par l'utilisation de produits chimiques et détergents non approuvés par Davey.

Si votre produit Davey nécessite une réparation ou un entretien après la période de garantie, contactez votre distributeur Davey local ou contactez par téléphone ou par e-mail le Centre de service à la clientèle de Davey. Pour une liste complète des concessionnaires Davey, nous vous invitons à visiter notre site Web.

DAVEY

Davey Water Products Pty Ltd
Member of the GUD Group
ABN 18 066 327 517

daveywater.com

AUSTRALIE

Siège social

6 Lakeview Drive,
Scoresby, Australia 3179
Ph: 1300 232 839
Fax: 1300 369 119
Email: sales@davey.com.au

NOUVELLE-ZÉLANDE

7 Rockridge Avenue,
Penrose, Auckland 1061
Ph: 0800 654 333
Fax: 0800 654 334
Email: sales@dwp.co.nz

EUROPE

7 rue Eugène Hénaff 69200
Vénissieux, France
Ph: +33 (0) 4 72 13 95 07
Fax: +33 (0) 4 72 33 64 57
Email: info@daveyeurope.eu

AMÉRIQUE DU NORD

Ph: 1-888-755-8654
Email: info@daveyusa.com

MOYEN-ORIENT

Ph: +971 50 6368764
Fax: +971 6 5730472
Email: info@daveyuae.com