

DAVEY

Starflo Starflo SF

INSTALLATION AND OPERATING
INSTRUCTIONS



daveywater.com

Document date
November, 2023

DAVEY
StarFlo®

DAVEY
StarFlo™SF

@2023 Davey Water Products

Contents

Starflo

03 >

Starflo Installation and Operating Instructions

15 >

Starflo Installations- und Betriebsanleitung

27 >

Starflo Instalación e instrucciones de funcionamiento

39 >

Starflo Instructions d'installation et d'utilisation

51 >

Starflo Installazione e Istruzioni Operative

63 >

Starflo Installatie- en gebruiksinstructies

75 >

Starflo Instruções de Instalação e Funcionamento

Starflo SF

87 >

Starflo SF Installation and Operating Instructions

7 LANGUAGES

English, Deutsch, Italiano,
Nederlands, Português,
Español & Français

DAVEY

DAVEY
StarFlo®

Single & 3 Phase Models

Installation and Operating Instructions



WARNING: Failure to follow these instructions and comply with all applicable codes may cause serious bodily injury and/or property damage.

The installation of this product should be carried out by a person knowledgeable in swimming pool plumbing requirements following the installation instructions provided in this manual.

Please install and maintain the products according to EN 60335-2-41 standard and local standard when the product is used in Europe.

Please pass these instructions on to the operator of this equipment.

Prior to using this pump you must ensure that:

- The pump is installed in a safe environment
- The pump enclosure has adequate drainage in the event of leakage
- The pipe-work is correctly sealed and supported
- The pump is primed correctly
- The power supply is correctly connected
- All steps have been taken for safe operation

Appropriate details for all of these items are contained in the following Installation and Operating Instructions. Read these in their entirety before switching on this pump. If you are uncertain as to any of these Installation and Operating Instructions please contact your Davey Dealer or the appropriate Davey office as listed on the back of this document.

If the supply cord is damaged, it must be replaced by the manufacturer, its service agent or similarly qualified persons in order to avoid a hazard.

Your Davey StarFlo Pool Pump

Congratulations on your purchase of a quality product from the Davey range of Pool equipment. You are assured of many years of reliable and efficient performance from your Davey StarFlo pool pump backed by Davey's two year guarantee.

The Davey StarFlo pool pump has been designed to circulate swimming pool water in conditions set out in the Australian Standard for swimming pool water quality (AS 3633) or equivalent. They should not be used for any other purpose without first consulting your Davey Dealer or the Davey Customer Service Centre.

Every Davey StarFlo pool pump is thoroughly tested against a number of pressures, voltage, current and mechanical performance parameters. Davey's advanced pump manufacturing technology provides reliable and efficient pumping performance that lasts and lasts.



Power supply to this pump needs to be through an isolating transformer or RCD, having a rated operating current not exceeding 30mA.

THIS APPLIANCE CAN BE USED BY CHILDREN AGED FROM 8 YEARS AND ABOVE AND PERSONS WITH REDUCED PHYSICAL, SENSORY OR MENTAL CAPABILITIES OR LACK OF EXPERIENCE AND KNOWLEDGE IF THEY HAVE BEEN GIVEN SUPERVISION OR INSTRUCTION CONCERNING USE OF THE APPLIANCE IN A SAFE WAY AND UNDERSTAND THE HAZARDS INVOLVED. CHILDREN SHALL NOT PLAY WITH THE APPLIANCE. CLEANING AND USER MAINTENANCE SHALL NOT BE MADE BY CHILDREN WITHOUT SUPERVISION.

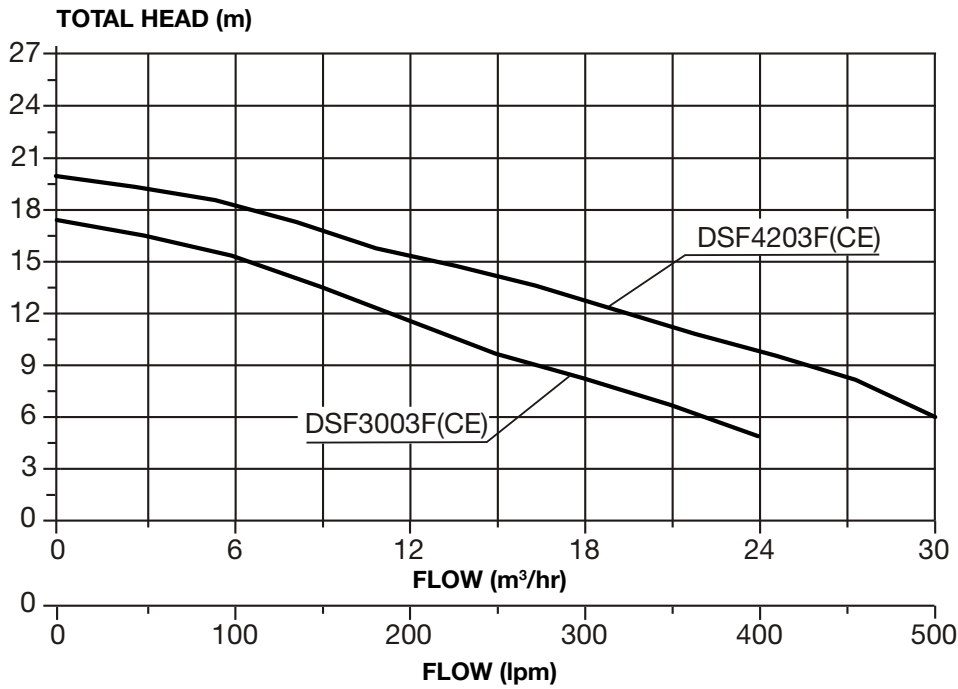
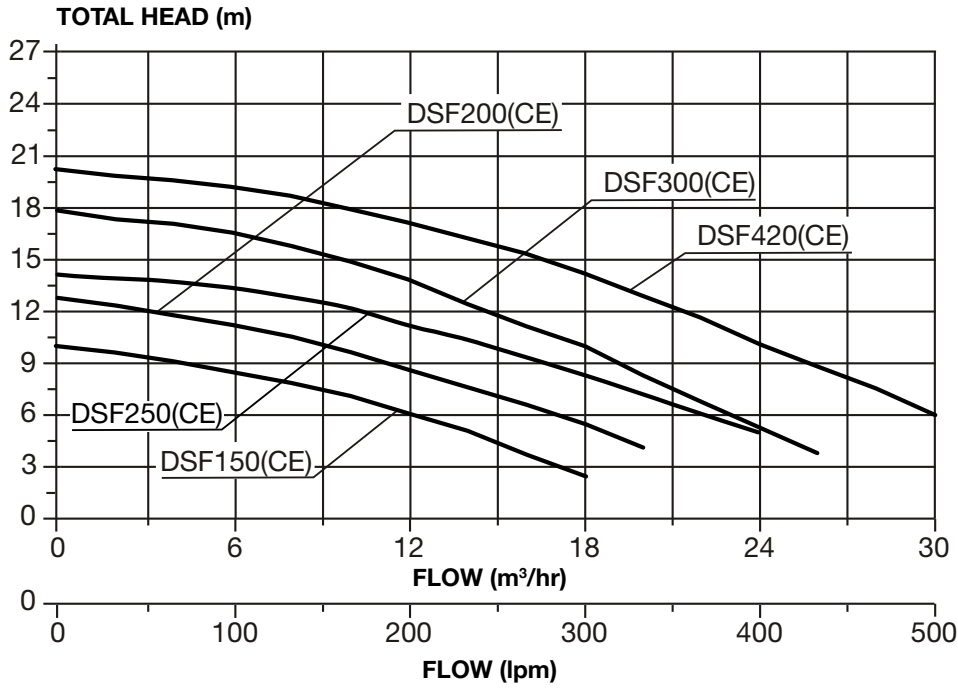
DO NOT DISPOSE OF ELECTRICAL APPLIANCES AS UNSORTED MUNICIPAL WASTE, USE SEPARATE COLLECTION FACILITIES.

CONTACT YOUR LOCAL GOVERNMENT FOR INFORMATION REGARDING THE COLLECTION SYSTEMS AVAILABLE.

IF ELECTRICAL APPLIANCES ARE DISPOSED OF IN LANDFILLS OR DUMPS, HAZARDOUS SUBSTANCES CAN LEAK INTO THE GROUNDWATER AND GET INTO THE FOOD CHAIN, DAMAGING YOUR HEALTH AND WELL-BEING.



Davey StarFlo Pool Pump – Hydraulic Performance:



Model	Q _{MAX}		H _{MAX} (m)	Power (P ₁)		Power (P ₂)		Amps	Net Weight (kg)
	L/min	m³/hr		kW	HP	kW	HP		
DSF150(CE)*	300	18	10	0.55	0.75	0.37	0.5	2.6	12.4
DSF200(CE)	333	20	13	0.75	1.0	0.55	0.75	3.7	13.6
DSF250(CE)	400	24	14	0.87	1.2	0.57	0.78	3.8	14.6
DSF300(CE)	433	26	18	1.1	1.5	0.75	1.0	5.8	15.5
DSF420(CE)	483	30	20	1.65	2.2	1.3	1.7	8.3	17.6
DSF3003F(CE)	383	24	17	1.1	1.5	0.75	1.0	2.0	14.3
DSF4203F(CE)	483	31	20	1.65	2.2	1.3	1.7	3.2	16.5

*Please note: DSF150(CE) is self priming at 2m maximum.

Location

The pump should be located as close to the water as practicable and mounted on a firm base in a well-drained position, high enough to prevent any flooding. It is the installer's responsibility to locate the pump such that the nameplate can be easily read and it can be readily accessed for service. The two holes in the base shall be fixed on the ground (alternatively, this can be with a rubber pad and/or mounting frame) after installing the pump.

Weather Protection

It is recommended that the pump is protected from the weather.

Power Connection



IMPORTANT INFORMATION: If equipotential bonding structure is required, then a Equipotential Bonding Point is provided. (Please refer to your local wiring standard and regulations).

Davey StarFlo DSF150CE, DSF200CE, DSF250CE, DSF300CE and DSF420CE pool pumps are suitable for connection to a nominal 220-240 volt 50Hz power supply and are equipped with a flex lead. If a power outlet is not available within 3 metres of the pump, a power point in a safe, dry place may need to be provided by an electrician/electrical contractor.

Davey StarFlo DSF3003FCE and DSF4203FCE pool pumps are suitable for connection to a nominal 380-415 volt 50Hz power supply and are equipped with a flex lead. Power connection needs to be provided by an electrician/electrical contractor.

Davey StarFlo DSF150, DSF200, DSF250, DSF300 and DSF420 pool pumps are suitable for connection to a nominal 220-240 volt 50Hz power supply and are equipped with a flex lead and 3 pin plug. If a power outlet is not available within 3 metres of the pump, a 3 pin power point in a safe, dry place may need to be provided by an electrician/electrical contractor.

Extension cords are unsafe around pools – and should be avoided. If the supply cord of this product is damaged it must be replaced by the Dealer or distributor, with genuine Davey spares.



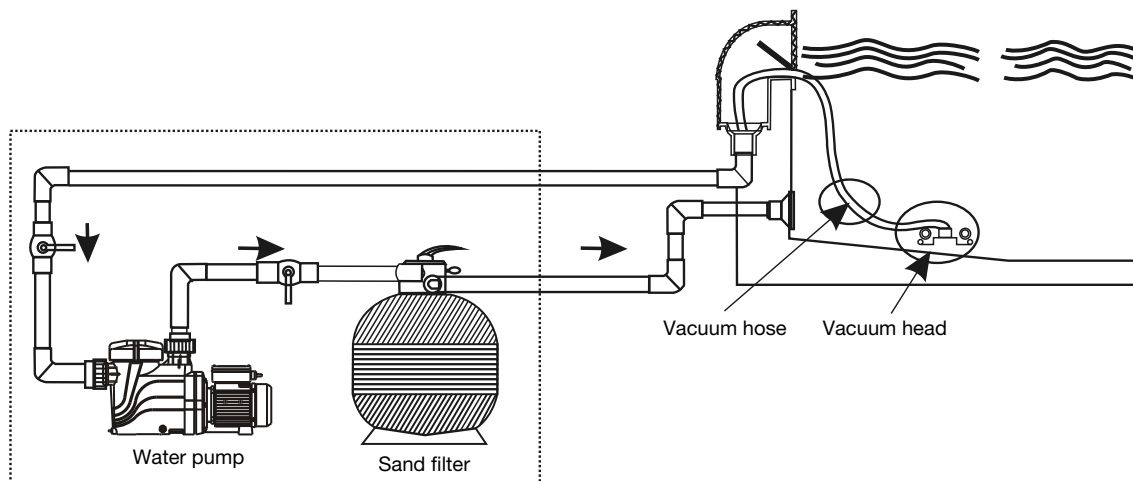
ATTENTION: Davey Water Products recommends that all installations are fitted with earth leakage or residual current protection devices. Power supply to this pump needs to be through an isolating transformer or RCD, having a rated operating current not exceeding 30mA. In the interests of safety, we advise that the installation must be in accordance with AS3000 wiring rules, or local equivalent. Ensure that an electrical isolation switch be located within easy access so that the pump can be turned off in an emergency.



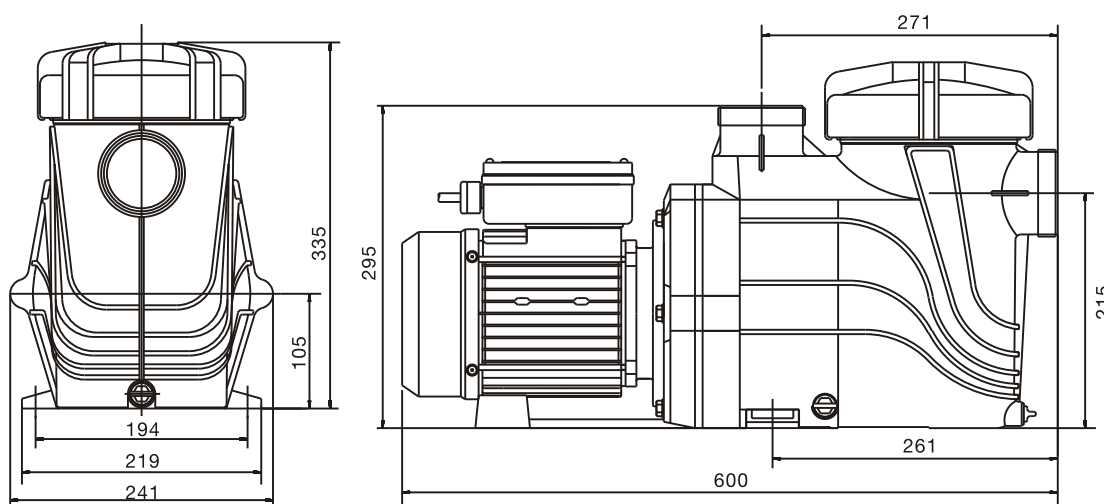
ATTENTION: In accordance with AS/NZS 60335.2.41 we are obliged to inform you that this pump is not to be used by children or infirm persons and must not be used as a toy by children. If the pump and filter are located below pool water level, it is necessary to fit isolating valves in the pipe between the pump and the skimmer box and in the return pipe between the pump and the filter.

IMPORTANT: The fittings on this product are constructed of ABS. Some PVC jointing compounds are incompatible with ABS. Check compound suitability before use.

Typical installation diagram



Dimensions



Pipe Connection

The StarFlo pool pumps are supplied with barrel unions for connecting to the piping from the pool. The following models are designed to accept European 50 & 63mm PVC pipe:

- * DSF150(CE)
- * DSF200(CE)
- * DSF250(CE)
- * DSF300(CE)
- * DSF420(CE)
- * DSF3003F(CE)
- * DSF4203F(CE)

The following models are designed to 40mm & 50mm nominal PVC pipe:

- * DSF150
- * DSF200
- * DSF250
- * DSF300
- * DSF420
- * DSF3003F
- * DSF4203F

The use of any pipe smaller than those specified above is not recommended. Suction piping should be free from all air leaks and any humps and hollows which cause suction difficulties. The discharge piping from the pump outlet should be connected to the inlet connection on the swimming pool filter (usually at the filter control valve).



IMPORTANT: Barrel unions need to be hand tightened. No sealant, glues or silicones are required.

Starting the Pump

To operate efficiently and prevent pump damage there must be a free flow of water to and from the pump. Before starting ensure that:

- All pipework is correctly sealed.
 - The pool water level is at the correct height.
 - Ensure that all appropriate valves are open and there is nothing preventing the flow of water through the system.
1. When the pump is above the pool water line, first prime the pump by removing the strainer basket lid and filling the strainer basket area with water. Replace the lid, ensuring that it seals on the o-ring.
 2. Connect to the power supply and turn on.
 3. Allow the pump to run, so that any air trapped may be expelled.
 4. If prime is not established within approximately two minutes, as evidenced by a strong flow of water, **turn off the pump and repeat the procedure**. Continued evidence of air under the strainer basket lid indicates an air leak in the suction piping which should be rectified to avoid pump damage.

Pump Operation

For optimum pump performance, the strainer basket housing should always be full of water and free from air bubbles. The water level of the pool should always be maintained to at least halfway up the skimmer box ensuring water is in the pump at all times. From time to time it may be necessary to re-prime the pump. This should be carried out as described above.



Never run pump dry. Running the pump with no water may damage the mechanical seals, causing leakage and flooding. Dry running damage and associated damage is not covered under warranty. Davey StarFlo pool pumps incorporate self-resetting thermal overload, reducing potential damage.

Emptying the Strainer Basket

The strainer basket should be inspected frequently through the transparent lid and emptied when a buildup of rubbish is evident. The directions below should be followed.

1. Turn off pump and unplug.
2. Close all valves in pipework.
3. Unscrew the strainer basket lid anti-clockwise and remove.
4. Remove the strainer basket by lifting upwards from its housing.
5. Empty the trapped refuse from the basket. Hose out with water if necessary.
6. Check the strainer basket for cracks, replace the strainer basket in the pump if ok.
Failure to undertake regular maintenance may cause damage not covered by warranty.
7. Replace the lid and ensure that it seals on the rubber o-ring. Firm hand tightness only is required. The o-ring & thread can be lubricated with Hydra slip or equivalent products.
8. Open all valves in pipework.



IMPORTANT: Failure to undertake regular maintenance may cause damage not covered by warranty.

Trouble Shooting

If the pump runs but there is no water flow or water flow is reduced, the following condition may apply:

1. The filter requires backwashing or it is blocked. Refer to the relevant section in the Filter Manual.
2. The pump is not primed. Re-prime as per instruction in 'Starting the pump'
3. There are air leaks in the suction piping. Check all piping and eliminate leaks, also check for a loose strainer basket lid. Air bubbles in the water flowing back to the pool would indicate a leak in the suction to the pump allowing air to enter the pipework.
4. A leaking pump shaft seal may also prevent operating. Evidence of this would be water on the ground under the pump.
5. The pump is not able to get water from the pool. Check that the valves to the pump are fully open and that the pool water level is halfway up to the skimmer box.
6. Blockage in the piping or pump. Remove the strainer basket and check for any blockage to the pump impeller entry. Check the skimmer box for blockage.

If the pump does not operate, the following conditions may apply:

1. The power is not connected. For 220-240 volt only, check the power point by plugging in a portable appliance to ensure power is available. Also check fuses and the main power supply switch.
2. Automatic overload is tripped following an overheating period. The pump has an in-built thermal overload which will re-set after the motor has cooled. Determine the cause of the overload tripping and rectify.
3. Blockage is preventing the pump from rotating.
4. Motor is burnt out – burning smell is evident. Replacement is required.

If you are unable to resolve any installation or operation difficulties with your Davey StarFlo pool pump, contact the supplier from whom the pump was purchased. If any further assistance is required, contact your Davey representative at the address indicated at the end of this manual.

The repair, removal and maintenance of the appliance shall be carried out by the manufacturer or the professional personnel of the agent.

Removal of the Pump from Pipework

Should it be necessary to remove the pump, follow these instructions:

1. Turn off the power and remove the plug from the power source.



ATTENTION: If the pump is wired into a time clock, or another automatic control the wiring may need to be removed by a qualified electrical contractor. If you are unsure, contact the place you've purchased the product, or if further assistance is required, contact your Davey representative at the address indicated in this manual.

2. Close the water valves on the pool return and the pump inlet pipework.
3. Remove the discharge & suction barrel unions taking care not to lose the O-rings.
4. Move the pipework with the barrel unions attached until the pump can be pulled clear.



NOTE: When making any enquiries about your StarFlo pool pump be certain to quote the model number from the nameplate located on motor.

Water Quality

Maintaining balanced water chemistry is important to the life of your pool pump. This pump is designed to be used with Pool water, balanced in accordance with Langlier Saturation Index.

POOL WATER BALANCE	Free Chlorine (ppm)	pH	Total Alkalinity TA (ppm)	Calcium Hardness (ppm)	Stabiliser - Cyanuric Acid (ppm)
Ideal reading / range	1.5 - 3	Concrete & tiled pools 7.4-7.6 Other surfaces 7.2-7.4	80 - 150	Concrete & tiled pools 200-275 Other surfaces 100-225	25-50ppm (15-25ppm if used with an ORP controller) Not to be used in indoor pools.
To increase	Increase output of sanitiser. Add chlorine. Increase filtration time.	Add Soda Ash (Sodium Carbonate)	Add Buffer (Sodium Bicarbonate)	Add Calcium Chloride	Add Cyanuric Acid
To decrease	Decrease output of sanitiser. Decrease filtration time.	Add Hydrochloric Acid	Add Hydrochloric Acid or Dry Acid	Partially drain & refill pool with lower hardness water to dilute	Partially drain & refill pool to dilute
Frequency of testing	Weekly	Weekly	Weekly	Weekly	Regularly

Please consult your local pool shop regularly to have your water tested.



POWER CONNECTIONS AND WIRING MUST BE CARRIED OUT BY AN AUTHORISED ELECTRICIAN.



WARNING! Pump suction is hazardous and can trap and drown or disembowel bathers. Do not block suction. Do not use or operate swimming pools if a suction cover is broken, missing or loose. Two suction covers and inlets must be provided into every pump to avoid suction entrapment.



Caution! Do not add chemicals directly to the pool skimmer. Adding undiluted chemicals may damage pump and filter and void warranty.



Routine Maintenance tasks – to maximise the life of your pool equipment & personal safety, use this checklist once a week. Turn pump off first.

- a. Make sure that any pressure gauges are in working condition and the operating pressure is within limits as specified on the product.
- b. Make sure that each suction inlet, and main drain has a cover that is securely attached and in safe working condition.
- c. Make sure that all skimmer covers are securely attached and in safe working condition. These should be replaced every 3 to 4 years.
- d. Remove any obstructions or debris from the main drain cover.
- e. Ensure the skimmer baskets and the pump hair and lint pots are free of leaves and debris at least once a week.
- f. Remove obstructions and combustibles from around the pump motor.
- g. Make sure all wiring connections are clean and that all wiring and electrical equipment is in good condition. Damaged wiring must be repaired or replaced by a qualified electrician as soon as damage is discovered.
- h. Check water balance and sanitiser levels at your local pool shop.
- i. Check for sufficient air-flow behind pump – clearance.



DANGER – Hazardous suction. Do not block water entry into filtration system with any part of your body as the pressure can trap hair or body parts, causing severe injury or death. Do not block suction. Turn off pump immediately if someone becomes trapped.

Davey pump warranty

Davey Water Products Pty Ltd (Davey) warrants all products sold will be (under normal use and service) free of defects in material and workmanship for a minimum period of one (1) year from the date of original purchase by the customer as marked on the invoice, for specific warranty periods for all Davey products visit daveywater.com.

This warranty does not cover normal wear and tear or apply to a product that has:

- been subject to misuse, neglect, negligence, damage or accident
- been used, operated or maintained other than in accordance with Davey's instructions
- not been installed in accordance with the Installation Instructions or by suitably qualified personnel
- been modified or altered from original specifications or in any way not approved by Davey
- had repairs attempted or made by other than Davey or its authorised dealers
- been subject to abnormal conditions such as incorrect voltage supply, lightning or high voltage spikes, or damages from electrolytic action, cavitation, sand, corrosive, saline or abrasive liquids,

The Davey warranty does not cover replacement of any product consumables or defects in products and components that have been supplied to Davey by third parties (however Davey will provide reasonable assistance to obtain the benefit of any third-party warranty).

To make a warranty claim:

- If the product is suspected of being defective, stop using it and contact the original place of purchase. Alternatively, phone Davey Customer Service or send a letter to Davey as per the contact details below
- Provide evidence or proof of date of original purchase
- If requested, return the product and/or provide further information with respect to the claim. Returning the product to the place of purchase is at your cost and is your responsibility.
- The warranty claim will be assessed by Davey on the basis of their product knowledge and reasonable judgement and will be accepted if:
 - a relevant defect is found
 - the warranty claim is made during the relevant warranty period; and
 - none of the excluded conditions listed above apply
- The customer will be notified of the warranty decision in writing and if found to be invalid the customer must organise collection of the product at their expense or authorise its disposal.

If the claim is found to be valid Davey will, at its option, repair or replace the product free of charge.

The Davey warranty is in addition to rights provided by local consumer law. You are entitled to a replacement or refund for a major failure and compensation for any other reasonably foreseeable loss or damage. You are also entitled to have the goods repaired or replaced if the goods fail to be of acceptable quality and the failure does not amount to a major failure.

For any internet connected products the consumer is responsible for ensuring a stable internet connection. In the event of a network failure the consumer will need to address the concern with the service provider. Use of an App is not a substitute for the User's own vigilance in ensuring the product is working to expectation. Use of a Smart Product App is at the User's own risk. To the fullest extent permitted by law Davey disclaims any warranties regarding the accuracy, completeness or reliability of App data. Davey is not responsible for any direct or indirect loss, damage or costs to the User arising from its reliance on internet connectivity. The User indemnifies Davey against any claims or legal actions from them or others relying on internet connectivity or App data may bring in this regard.

Products presented for repair may be replaced by refurbished products of the same type rather than being repaired. Refurbished parts may be used to repair the products. The repair of your products may result in the loss of any user-generated data. Please ensure that you have made a copy of any data saved on your products.

To the fullest extent permitted by law or statute, Davey shall not be liable for any loss of profits or any consequential, indirect or special loss, damage or injury of any kind whatsoever arising directly or indirectly from Davey products. This limitation does not apply to any liability of Davey for failure to comply with a consumer guarantee applicable to your Davey product under local laws and does not affect any rights or remedies that may be available to you under local laws.

For a complete list of Davey Dealers visit our website (daveywater.com) or call:

DAVEY

Davey Water Products Pty Ltd
Member of the GUD Group
ABN 18 066 327 517

daveywater.com

AUSTRALIA

Head Office

6 Lakeview Drive,
Scoresby, Australia 3179
Ph: 1300 232 839
Fax: 1300 369 119
Email: sales@davey.com.au

NEW ZEALAND

7 Rockridge Avenue,
Penrose, Auckland 1061
Ph: 0800 654 333
Fax: 0800 654 334
Email: sales@dwp.co.nz

EUROPE

7 rue Eugène Hénaff 69200
Vénissieux, France
Ph: +33 (0) 4 72 13 95 07
Fax: +33 (0) 4 72 33 64 57
Email: info@daveyeurope.eu

NORTH AMERICA

Ph: 1-888-755-8654
Email: info@daveyusa.com

MIDDLE EAST

Ph: +971 50 6368764
Fax: +971 6 5730472
Email: info@daveyuae.com

DAVEY

DAVEY
StarFlo®

Einphasige und dreiphasige Modelle

Installations- und Betriebsanleitung

GERMAN



CE



WARNUNG: Die Nichteinhaltung dieser Anleitungen und jeglicher in diesem Zusammenhang geltenden Vorschriften kann schwerwiegende Personen- und/oder Sachschäden nach sich ziehen.

Die Installation dieses Produkts sollte von einem kompetenten Schwimmbad-Installateur und gemäß den Installationsanleitungen in diesem Handbuch vorgenommen werden.

Wenn das Produkt in Europa genutzt wird, muss es gemäß der Norm EN 60335-2-41 und den örtlich geltenden Vorschriften zu installieren und instandzuhalten.

Geben Sie diese Anleitungen an den Betreiber dieser Anlage weiter.

Vor dem Gebrauch dieser Pumpe ist Folgendes sicherzustellen:

- Die Pumpe sollte in einer sicheren Umgebung installiert sein.
- Der Pumpenraum sollte für den Fall einer Undichtigkeit über ein geeignetes Abflusssystem verfügen.
- Die Rohrleitungen müssen sachgerecht abgedichtet und abgestützt sein.
- Die Pumpe muss sachgemäß entlüftet werden.
- Die Netzversorgung sollte richtig angeschlossen sein.
- Es sind alle Vorkehrungen für einen sicheren Betrieb zu treffen.

Entsprechende Ausführungen zu all diesen Punkten sind in der nachstehenden Installations- und Betriebsanleitung dargelegt. Lesen Sie diese vollständig durch, bevor Sie die Pumpe in Betrieb setzen. Bei Unsicherheiten bezüglich dieser Installations- und Betriebsanleitung wenden Sie sich bitte an Ihren Davey Fachhändler oder an Ihre jeweilige Davey Niederlassung, die auf der Rückseite dieses Handbuchs angegeben ist.

Wenn das Netzkabel beschädigt ist, muss es vom Hersteller, seiner Servicestelle oder ähnlich qualifizierten Fachleuten ausgewechselt werden, um Gefahren zu vermeiden.

Ihre Davey StarFlo Schwimmbadpumpe

Herzlichen Glückwunsch für Ihren Erwerb eines Qualitätsprodukts aus der Davey Schwimmbad-Ausstattungsreihe. Ihre Davey StarFlo Schwimmbadpumpe mit der zweijährigen Garantie von Davey bietet Ihnen eine langjährig zuverlässige und effiziente Leistung.

Die Davey StarFlo wurde entwickelt, um das Wasser in Pool oder Spa zirkulieren zu lassen gemäß der Vorgaben des Australischen Standards für Poolwasserqualität AS 3633 oder entsprechender anderer Vorgaben. Sie sollte nicht zu anderen Zwecken verwendet werden, ohne dass Sie sich zuvor von Ihren Davey- Händler oder dem Davey-Kundenzentrum haben beraten lassen.

Jede Davey StarFlo Schwimmbadpumpe wurde bezüglich der verschiedenen Druck-, Spannungs-, Strom- und mechanischen Leistungsparameter eingehend geprüft. Die fortschrittliche Produktionstechnologie von Davey bietet eine langjährig zuverlässige und effiziente Pumpenleistung.



Die Netzspeisung dieser Pumpe muss über einen Trenntransformator oder eine Fehlerstromschutzeinrichtung mit einem Nennbetriebsstrom von maximal 30 mA erfolgen.

DIESES GERÄT DARF VON KINDERN AB EINEM ALTER VON 8 JAHREN UND PERSONEN MIT EINGESCHRÄNKTEN KÖRPERLICHEN, SENSORISCHEN BZW. GEISTIGEN FÄHIGKEITEN, MANGELNDER ERFAHRUNG BZW. FEHLENDEM WISSEN GENUTZT WERDEN, SOFERN SIE BEAUF SICHTIGT UND BEZÜGLICH DER SICHEREN NUTZUNG DES GERÄTS AUFGEKLÄRT WERDEN UND SICH DER DAMIT VERBUNDENEN GEFAHREN BEWUSST SIND. KINDER DÜRFEN NICHT MIT DEM GERÄT SPIELEN. REINIGUNGS- UND INSTANDHALTUNGSARBEITEN DÜRFEN NICHT VON KINDERN OHNE BEAUF SICHTIGUNG DURCHFÜHRT WERDEN.

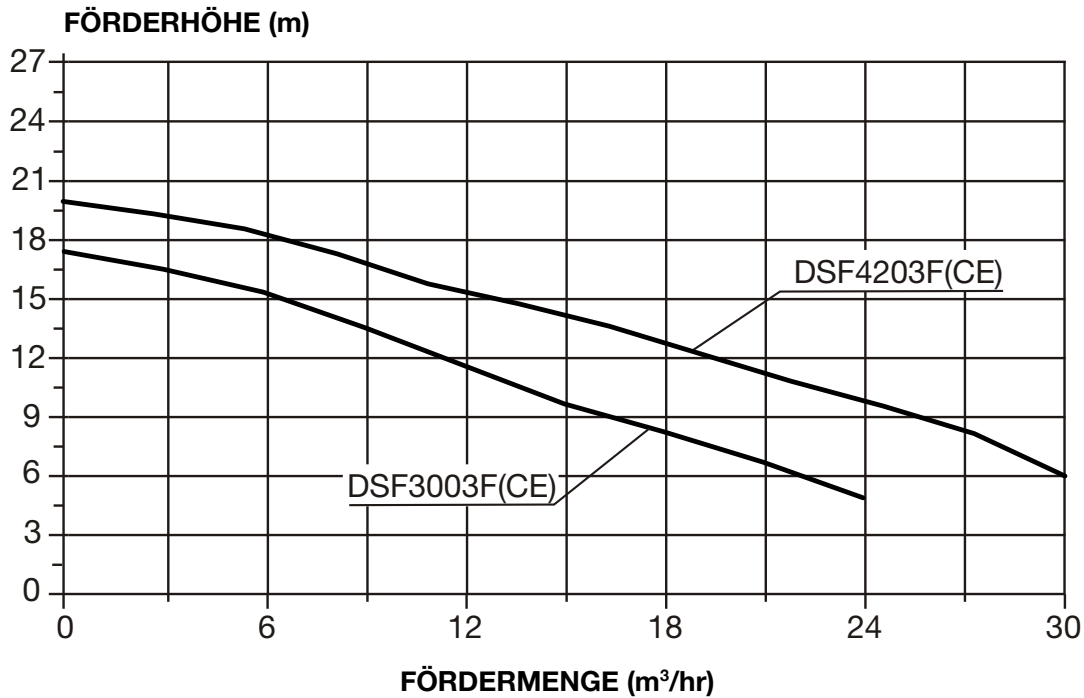
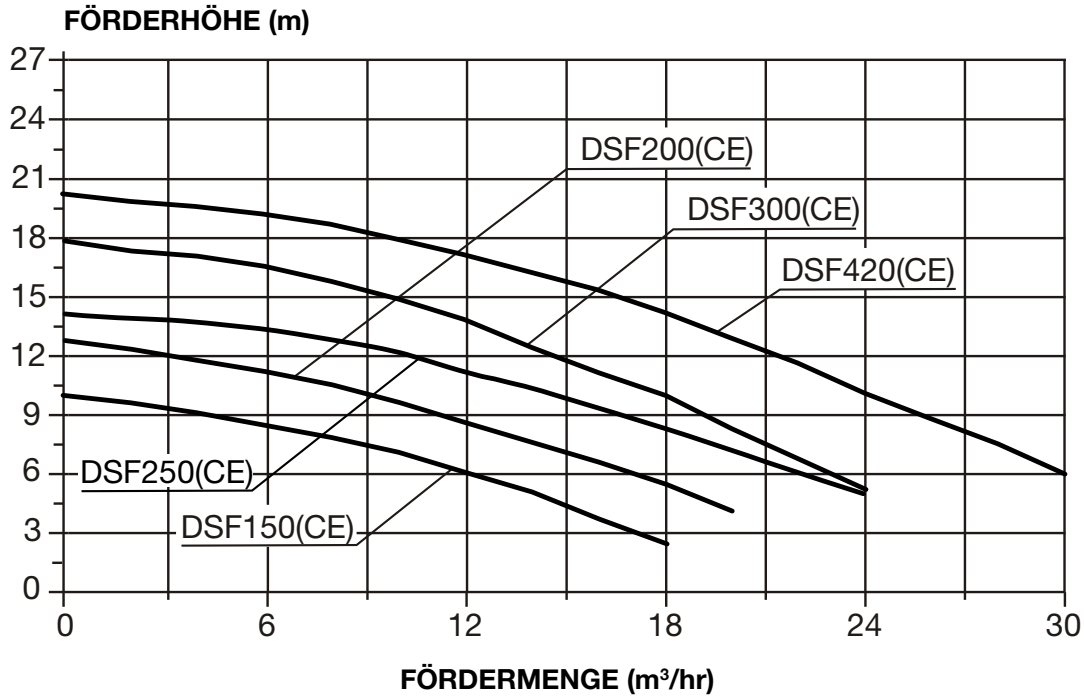
ELEKTROGERÄTE DÜRFEN NICHT ALS UNSORTIERTER HAUSMÜLL ENTSORGT WERDEN, SONDERN MÜSSEN ZUR ENTSORGUNG ALS SONDERMÜLL ZUR SAMMELSTELLE GEBRACHT WERDEN.

WENDEN SIE SICH AN IHRE ÖRTLICHEN BEHÖRDEN, UM INFORMATIONEN BEZÜGLICH DER VERFÜGBAREN ENTSORGUNGSMÖGLICHKEITEN EINZUHOLEN.

WENN ELEKTROGERÄTE IN DEPONIEEN ENTSORGT WERDEN, KÖNNEN GEFÄHRLICHE SUBSTANZEN IN DAS GRUNDWASSER ABFLIEßEN, IN DIE NAHRUNGSKETTE GELANGEN UND SOMIT IHRE GESUNDHEIT UND IHR WOHLBEFINDEN BEEINTRÄCHTIGEN.



Davey StarFlo Schwimmbadpumpe – Hydraulische Leistung:



Model	Q _{MAX}		H _{MAX} (m)	Power (P ₁)		Power (P ₂)		Amps	Net Weight (kg)
	L/min	m³/hr		kW	HP	kW	HP		
DSF150(CE)*	300	18	10	0.55	0.75	0.37	0.5	2.6	12.4
DSF200(CE)	333	20	13	0.75	1.0	0.55	0.75	3.7	13.6
DSF250(CE)	400	24	14	0.87	1.2	0.57	0.78	3.8	14.6
DSF300(CE)	433	26	18	1.1	1.5	0.75	1.0	5.8	15.5
DSF420(CE)	483	30	20	1.65	2.2	1.3	1.7	8.3	17.6
DSF3003F(CE)	383	24	17	1.1	1.5	0.75	1.0	2.0	14.3
DSF4203F(CE)	483	31	20	1.65	2.2	1.3	1.7	3.2	16.5

*Bitte beachten Sie: Die DSF150CE Pumpe ist selbstansaugend bei 2m maximal

Installationsort

Die Pumpe sollte möglichst nahe am Wasser, auf festem, trockenem Untergrund und zur Vermeidung jeglicher Überflutung in einer ausreichend hohen Position installiert werden. Es liegt in der Verantwortung des Installateurs, die Pumpe so einzubauen, dass das Typenschild für den Wartungstechniker leicht zugänglich und ablesbar ist. Die zwei Bohrungen in der Basis dienen zur Befestigung der Pumpe auf dem Untergrund.

(Alternativ dazu kann die Pumpe auf einer Gummiunterlage und/oder einem Montagerahmen installiert werden.)

Wetterschutz

Es empfiehlt sich, die Pumpe wettergeschützt zu installieren.

Netzversorgungsanschluss



WICHTIGE INFORMATION: Ihre Davey Pumpe verfügt über einen doppelt isolierten Wasserkreislauf. Wenn eine Potentialausgleichsvorrichtung erforderlich ist, wird ein Potentialausgleichs-Punkt mitgeliefert. (Konsultieren Sie dazu Ihre örtlichen Verdrahtungsnormen und -vorschriften).

Davey StarFlo Schwimmbadpumpen DSF150CE, DSF200CE, DSF250CE, DSF300CE and DSF420CE sind für den Anschluss an eine Versorgungs-Nennspannung von 220-240 Volt / 50Hz vorgesehen und mit einem flexiblen Anschlusskabel ausgestattet. Wenn für die Pumpe in einem Umkreis von 3 Metern kein Spannungsanschluss verfügbar ist, muss der Elektriker an einem sicheren, trockenen Ort einen Spannungsanschluss installieren. Davey StarFlo DSF3003FCE und DSF4203FCE Poolpumpen sind für den Anschluss an Stromnetze mit einer Nennspannung von 380-415 Volt 50Hz geeignet und mit einem Netzkabel ausgestattet. Der Stromanschluss muss durch einen Elektriker bzw. Elektroinstallationsbetrieb vorgenommen werden. Verlängerungskabel sind in der Nähe von Schwimmbädern unsicher und sollten daher vermieden werden. Wenn das Netzkabel dieses Produkts beschädigt ist, muss es vom Fach- oder Vertriebshändler durch ein Originalkabel von Davey ersetzt werden.



ACHTUNG: Davey Water Products empfiehlt, dass alle Anlagen mit einem Erdschluss oder Fehlerstrom-Schutzeinrichtungen ausgestattet sind. Die Netzspeisung dieser Pumpe muss über einen Trenntransformator oder eine Fehlerstromschutzvorrichtung mit einem Nennbetriebsstrom von maximal 30 mA erfolgen. Aus Sicherheitsgründen empfehlen wir, die Installation unter Einhaltung der AS3000 Anschlussvorschriften oder der entsprechenden lokalen Vorschriften durchzuführen. Stellen Sie sicher, dass ein elektrischer Trennschalter leicht zugänglich ist, sodass die Pumpe im Notfall ausgeschaltete werden kann.



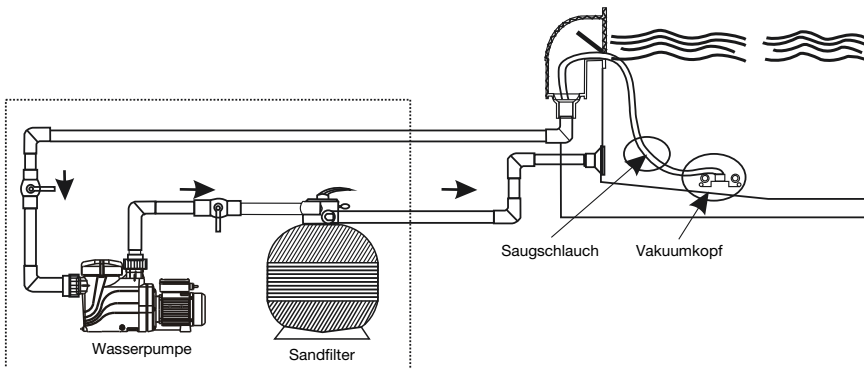
ACHTUNG: Gemäß AS/NZS 60335.2.41 sind wir verpflichtet, Sie zu informieren, dass diese Pumpe nicht von Kindern oder gebrechlichen Personen bedient und von Kindern nicht als Spielzeug benutzt werden darf. Wenn Pumpe und Filter unterhalb des Wasserspiegels im Pool installiert sind, ist es erforderlich, an der Leitung zwischen Pumpe und Skimmerkasten und an der Rücklaufleitung zwischen Pumpe und Filter Absperrventile zu installieren.

WICHTIG: Die Verschraubungen an diesem Produkt bestehen aus ABS. Manche PVC-Dichtungsmassen sind nicht mit ABS kompatibel. Prüfen Sie die Eignung der Dichtmasse vor der Verwendung.

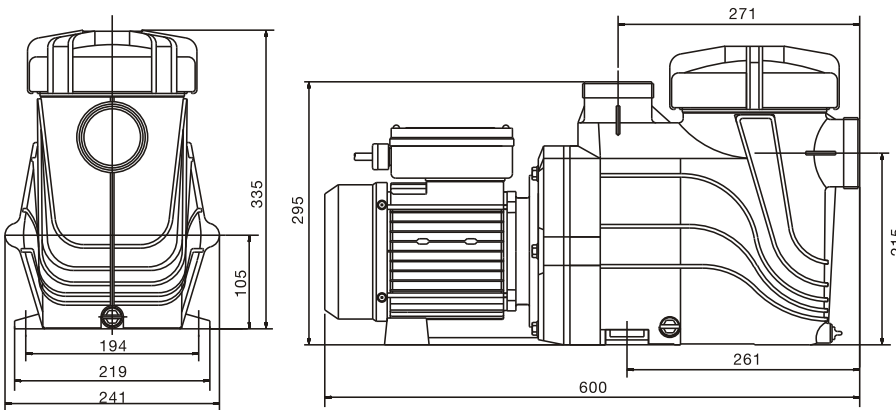


WARNUNG! Stellen Sie sicher, dass ein leicht zugänglicher elektrischer Trennschalter installiert ist, um die Pumpe im Notfall von der Stromversorgung trennen zu können.

Typischer Installationsplan



Abmessungen



Leistungsanschluss

Die StarFlo Poolpumpen werden für den Anschluss an die Rohrleitungen vom Pool mit Rohrverbindern geliefert. Die folgenden Pumpenmodelle sind so ausgelegt, dass sie mit europäischen 50 & 63 mm PVC-Rohren verbunden werden können.

- * DSF150(CE)
- * DSF200(CE)
- * DSF250(CE)
- * DSF300(CE)
- * DSF420(CE)
- * DSF3003F(CE)
- * DSF4203F(CE)

Die folgenden Pumpenmodelle sind so ausgelegt, dass sie mit PVC-Rohren mit einer Nennweite von 40mm & 50 mm verbunden werden können.

- * DSF150
- * DSF200
- * DSF250
- * DSF300
- * DSF420
- * DSF3003F
- * DSF4203F

Vom Einsatz von Rohrleitungen mit kleineren Abmessungen als oben angegeben wird abgeraten. Saugleitung müssen absolut luftdicht und frei von jeglichen Hohlräumen und Vertiefungen sein, die die Ansaugleistung beeinträchtigen könnten. Die von der Pumpe ausgehende Druckleitung ist an den Zulaufanschluss am Schwimmbadfilter (normalerweise am Filter-Regelventil) anzuschließen.



Die Schnellkupplungen werden manuell festgezogen. Der Einsatz von Dichtmasse, Klebemittel oder Silikon ist nicht erforderlich.

Inbetriebsetzung der Pumpe

Um einen einwandfreien Betrieb zu garantieren und jegliche Beschädigung der Pumpe zu vermeiden, muss an beiden Seiten der Pumpe eine ungehinderte Wasserzirkulation gewährleistet sein. Vor der Inbetriebsetzung der Pumpe ist Folgendes zu prüfen:

- Alle Leitungen müssen sachgemäß abgedichtet sein.
 - Der Schwimmbad-Wasserspiegel muss sich auf der richtigen Höhe befinden.
 - Alle Ventile müssen geöffnet sein, und es muss ein ungehinderter Wasserkreislauf in der Anlage gewährleistet sein.
1. Wenn die Pumpe oberhalb des Schwimmbad-Wasserspiegels installiert ist, muss sie zunächst entlüftet werden; dazu den Siebkorbdeckel abnehmen und den Siebkorb mit Wasser auffüllen. Den Deckel wieder aufsetzen und dabei darauf achten, dass die O-Ringdichtung richtig geschlossen ist.
 2. Die Spannungsversorgung und die Anlage einschalten.
 3. Die Pumpe laufen lassen, um eventuelle Lufteinschlüsse auszustoßen.
 4. Falls innerhalb von rund zwei Minuten die erfolgreiche Entlüftung, die sich an einem starken Wasserstrom erkennen lässt, nicht erzielt wurde, **die Pumpe ausschalten und den Vorgang wiederholen**. Eine fortdauernde Ansammlung von Luft unter dem Siebkorbdeckel ist ein Anzeichen für eine undichte Saugleitung, was zu beheben ist, um jegliche Beschädigung der Pumpe zu vermeiden.

Pumpenbetrieb

Für eine optimale Pumpenleistung muss der Siebkorbkasten grundsätzlich mit Wasser gefüllt und frei von Luftbläschen sein. Der Wasserspiegel des Schwimmbads muss grundsätzlich mindestens auf halber Höhe des Skimmerkastens gehalten werden, um sicherzustellen, dass sich jederzeit Wasser in der Pumpe befindet. Gelegentlich kann es erforderlich sein, die Pumpe erneut zu entlüften. Dazu sind die obenstehenden Anleitungen zu befolgen.



Die Pumpe darf in keinem Fall trocken betrieben werden. Bei dem Betrieb der Pumpe ohne Wasser können die mechanischen Dichtungen beschädigt werden, was wiederum zu Undichtigkeiten oder einer Überflutung führen kann. Schäden infolge trockenen Betriebs und damit verbundene Schäden fallen nicht unter die Garantieleistung. Davey StarFlo Schwimmbadpumpen sind mit einem Thermowächter mit automatischer Rückstellung ausgestattet, um potenzielle Schäden zu minimieren.

Entleeren des Siebkorbs

Der Siebkorb muss regelmäßig durch den transparenten Deckel geprüft und im Falle angesammelter Verschmutzungen entleert werden. Dazu sind die nachstehenden Anleitungen zu befolgen.

1. Die Pumpe ausschalten und von der Spannungsversorgung trennen.
2. Alle Leitungsventile schließen.
3. Den Siebkorbdeckel gegen den Uhrzeigersinn abschrauben und abnehmen.
4. Den Siebkorb nach oben aus seinem Kasten heben.
5. Die im Korb befindlichen Verschmutzungen entfernen. Bei Bedarf mit Wasser ausspülen.
6. Den Siebkorb auf Risse prüfen und wieder in die Pumpe einsetzen, sofern sein Zustand einwandfrei ist. Wenn der Siebkorb nicht regelmäßig gewartet wird, können Schäden entstehen, die nicht unter die Garantieleistung fallen.
7. Den Deckel wieder aufsetzen und dabei darauf achten, dass die O-Ring-Gummidichtung richtig geschlossen ist. Es ist ausreichend, den Deckel mit der Hand festzuziehen. Der O-Ring und das Gewinde können mit Schmiermittel der Marke Hydra Slip oder gleichwertigen Produkten geschmiert werden.
8. Alle Leitungsventile öffnen.



Wenn der Siebkorb nicht regelmäßig gewartet wird, können Schäden entstehen, die nicht unter die Garantieleistung fallen.

Fehlerbehebung

Wenn beim Betrieb der Pumpe der Wasserstrom unterbrochen oder eingeschränkt ist, kann dies folgende Ursachen haben:

1. Der Filter benötigt eine Rückspülung oder ist verstopft. Siehe entsprechenden Abschnitt im Filterhandbuch.
2. Die Pumpe wurde nicht entlüftet. Die Pumpe gemäß den Anleitungen unter „Inbetriebsetzung der Pumpe“ erneut entlüften.
3. Die Saugleitung weist Undichtigkeiten auf. Alle Leitungen prüfen und eventuelle Undichtigkeiten beheben, auch den Siebkorbdeckel auf festen Sitz prüfen. Luftbläschen in dem zum Schwimmbad zurückgeleiteten Wasser sind Anzeichen für eine Undichtigkeit in der Saugleitung der Pumpe, durch die Luft in die Leitungen gerät.
4. Eine undichte Pumpenwellendichtung kann den Betrieb ebenfalls beeinträchtigen. Ein Anzeichen dafür ist eine Wasserlache auf dem Boden unter der Pumpe.
5. Die Pumpe saugt das Schwimmbadwasser nicht an. Prüfen, dass die Ventile der Saugleitung der Pumpe vollständig geöffnet sind, und dass sich der Schwimmbad-Wasserspiegel auf halber Höhe des Skimmerkastens befindet.
6. Verstopfung in den Leitungen oder in der Pumpe. Den Siebkorb herausnehmen und das Pumpenlaufrad auf Hindernisse am Einlass prüfen. Den Skimmerkasten auf hinderliche Fremdkörper prüfen.

Wenn sich die Pumpe nicht in Betrieb setzen lässt, kann dies folgende Ursachen haben:

1. Die Spannungsversorgung ist nicht angeschlossen. Ausschließlich bei 220-240 Volt-Anschlüssen kann mit einem mobilen Gerät geprüft werden, dass Strom verfügbar ist. Auch die Sicherungen und der Hauptstromschalter sind zu prüfen.
2. Der automatische Überlastschutz wird nach einem bestimmten Überhitzung-Zeitintervall ausgelöst. Die Pumpe ist mit einem integrierten Thermowächter ausgestattet, der sich automatisch zurücksetzt, sobald der Motor abgekühlt ist. Die Ursache für die Überlast-Auslösung ermitteln und beheben.
3. Eine Blockierung verhindert die Rotation der Pumpe.
4. Durchgebrannter Motor – am Verbrennungsgeruch erkennbar. Der Motor muss ausgewechselt werden.

Wenn Sie nicht in der Lage sind, Installations- oder Betriebsprobleme Ihrer Davey StarFlo Schwimmbadpumpe selbst zu beheben, wenden Sie sich an den Händler, bei dem Sie die Pumpe erworben haben. Wenn Sie weitere Hilfe benötigen, wenden Sie sich an das Davey Kundendienstzentrum unter den in diesem Handbuch angegebenen Kontaktdaten.

Reparatur- und Wartungsarbeiten an der Anlage müssen vom Hersteller oder qualifiziertem Personal des Fachhändlers ausgeführt werden.

Trennen der Pumpe von den Leitungen

Sollte es erforderlich sein, die Pumpe auszubauen, sind die nachstehenden Anleitungen zu befolgen:

1. Die Spannungsversorgung ausschalten und den Stecker aus dem Stromversorgungsanschluss ziehen.



ANMERKUNG: Falls die Pumpe an eine Zeitschaltuhr oder eine andere automatische Kontrollvorrichtung angeschlossen ist, sollte die Verkabelung von einem Fachmann entfernt werden. Wenn Sie sich nicht sicher sind, wenden Sie sich an die Stelle, an der Sie das Produkt gekauft haben, oder wenn Sie weitere Hilfe benötigen, wenden Sie sich an Ihren Davey-Vertreter unter der in diesem Handbuch angegebenen Adresse.

2. Die Wasserventile der Schwimmbad-Rücklaufleitung und der Pumpen-Zulaufleitung schließen.
3. Die Schnellkupplungen von den Druck- und Saugleitungen entfernen und dabei darauf achten, dass die O-Ringe nicht verloren gehen.
4. Die Leitungen mit den angeschlossenen Schnellkupplungen bewegen, bis die Pumpe ungehindert entfernt werden kann.



HINWEIS: Wenn Sie bezüglich Ihrer StarFlo Schwimmbadpumpe Auskünfte erbeten, stellen Sie sicher, dass Sie die Modellnummer angeben, die Sie am Typenschild am Motor ablesen können.

Wasserqualität

Der Erhalt eines bestimmten chemischen Wassergleichgewichts ist eine grundlegende Voraussetzung für den Betrieb mit Schwimmbadwasser ausgelegt, das gemäß dem Langelier- Sättigungsindex behandelt werden sollte.

POOLWASSER- GLEICHGEWICHT	Freies Chlor (ppm)	pH	Gesamt- Alkalinität TA (ppm)	Calcium- härte (ppm)	Stabilisator - Cyanursäure (ppm)	Empfohlener Salzgehalt (ppm)
Idealer Messwert / -bereich	1,5 – 3	Beton- & geflieste Pools 7,4 - 7,6 Andere Oberflächen 7,2 - 7,4	80 – 150	Beton- & geflieste Pools 200-275 Andere Oberflächen 100-225	25-50 ppm (15-25 ppm in Verbindung mit ORP-Steuerung) Nicht zur Verwendung in Innenraumpools.	Modellabhängig (siehe Seite 27)
Zum Erhöhen	Chlor- Abgabe erhöhen. Chlor zugeben. Filtrationszeit erhöhen.	Natrium- carbonat zugeben	Puffer zugeben (Natrium- bicarbonat)	Calciumchlorid zugeben	Cyanursäure zugeben	Salz zugeben
Zum Verringern	Chlor- Abgabe verringern. Filtrationszeit verringern.	Salzsäure zufügen	Salzsäure oder pH-Senker zugeben	Pool teilweise leeren und wieder mit weicherem Wasser zur Verdünnung befüllen	Pool teilweise leeren und zur Verdünnung wieder befüllen	Pool teilweise leeren und zur Verdünnung wieder befüllen
Test- häufigkeit	Wöchentlich	Wöchentlich	Wöchentlich	Wöchentlich	Regelmäßig	Regelmäßig

Wenden Sie sich an Ihren örtlichen Schwimmbad-Fachhändler, um Ihr Wasser regelmäßig prüfen zu lassen.



DIE SPANNUNGSANSCHLÜSSE UND DIE VERDRAHTUNG DER ANLAGE MÜSSEN VON EINEM ZUGELASSENEN ELEKTRIKER VORGENOMMEN WERDEN.



WARNUNG! Die Pumpenansaugung ist gefährlich und kann zu Ertrinken oder Verletzungen von Badenden führen. Die Saugleitung darf keinesfalls blockiert werden. Das Schwimmbad darf nicht genutzt bzw. betrieben werden, wenn ein Saugdeckel beschädigt/lose ist oder fehlt. Jede Pumpe muss mit zwei Saugdeckeln und -einlässen ausgestattet sein, um Einschlüsse/Blockierungen zu vermeiden.



Achtung! Chemische Zusätze dürfen nicht direkt in den Schwimmbadskimmer gegeben werden. Durch das Hinzufügen ungelöster Chemikalien können Schäden an der Pumpe und dem Filter verursacht werden, die nicht unter die Garantieleistung fallen.



Routine-Instandhaltung: Für eine optimale Lebensdauer Ihrer Schwimmbad-Ausstattung und Ihre persönliche Sicherheit müssen die nachstehenden Punkte einmal in der Woche geprüft werden. Die Pumpe zunächst ausschalten.

- a. Die Druckmesser auf einwandfreien Funktionszustand prüfen und sicherstellen, dass der Betriebsdruck innerhalb der auf dem Produkt angegebenen Grenzwerte liegt.
- b. Die Deckel an jedem Saugeinlass und am Hauptauslass auf festen Sitz und sicheren Betriebszustand prüfen.
- c. Alle Skimmerdeckel auf festen Sitz und sicheren Betriebszustand prüfen. Die Skimmerdeckel müssen alle 3 bis 4 Jahre ausgewechselt werden.
- d. Den Hauptauslassdeckel von Rückständen oder Verschmutzungen befreien.
- e. Mindestens einmal wöchentlich überprüfen, dass die Skimmerkörbe und die Haar- und Flusenbehälter der Pumpe frei von Blättern und Verschmutzungen sind.
- f. Hindernisse und Brennstoffe aus der Umgebung des Pumpenmotors entfernen.
- g. Die Kabelanschlüsse auf Sauberkeit und alle Kabel und elektrischen Vorrichtungen auf einwandfreien Zustand prüfen. Beschädigte Kabel müssen sofort nach der Ermittlung der Schäden von einem qualifizierten Elektriker repariert oder ausgewechselt werden.
- h. Das Wassergleichgewicht und den Desinfektionsmittel-Gehalt beim örtlichen Schwimmbad-Fachhändler prüfen lassen.
- i. Überprüfen, dass im Bereich hinter der Pumpe eine ausreichende Luftzirkulation gewährleistet ist.



GEFAHR – Gefährliche Ansaugung. Darauf achten, dass der Körper nicht in die Nähe des Wasserzulauf zur Filtrationsanlage gelangt, da Haare oder Körperteile durch den Unterdruck angesaugt werden können, was schwere oder tödliche Verletzungen zur Folge haben kann. Die Saugleitung darf keinesfalls blockiert werden. Die Pumpe muss sofort ausgeschaltet werden, wenn jemand eingeklemmt wird.

Garantie auf Davey Pumpen

Davey Water Products Pty Ltd (Davey) garantiert, dass alle verkauften Produkte (bei normalem Gebrauch und Service) für einen Zeitraum von mindestens einem (1) Jahr ab dem Datum des ursprünglichen Kaufs durch den Kunden, das auf der Rechnung angegeben ist, frei von Material- und Verarbeitungsfehlern sind. Genauere Angaben zu den Garantiezeiten, die für alle Davey-Produkte gelten, finden Sie auf daveywater.com.

Diese Garantie gilt nicht für die normale Abnutzung und Verschleiß oder für Produkte, auf die eines der folgenden Kriterien zutrifft:

- Produkte, die Missbrauch, Nachlässigkeit, Fahrlässigkeit, Schäden oder Unfällen ausgesetzt waren
- Produkte, die nicht in Übereinstimmung mit den Anweisungen von Davey verwendet, betrieben oder gewartet wurden
- Produkte, die nicht gemäß der Montageanleitung oder durch entsprechend qualifiziertes Personal installiert wurden
- Produkte, die auf eine Art und Weise modifiziert oder verändert wurden, die nicht länger den ursprünglichen Spezifikationen entspricht oder nicht von Davey genehmigt wurde
- Produkte, an denen Reparaturversuche oder Reparaturen durchgeführt wurden, die nicht von Davey oder den Vertragshändlern des Unternehmens durchgeführt wurden
- Produkte, die anormalen Bedingungen wie falscher Spannungsversorgung, Blitzschlag oder Hochspannungsspitzen oder Schäden durch elektrolytische Einwirkung, Kavitation, Sand, korrosive, salzige oder abrasive Flüssigkeiten ausgesetzt waren,

Die Garantie von Davey erstreckt sich nicht auf den Ersatz von Verbrauchsmaterialien oder Defekte an Produkten und Komponenten, die Davey von Dritten geliefert wurden (Davey wird jedoch angemessene Unterstützung bei der Geltendmachung von Garantieansprüchen gegenüber Dritten leisten).

Um einen Garantieanspruch geltend zu machen:

- Wenn der Verdacht besteht, dass das Produkt defekt ist, stellen Sie die Nutzung ein und wenden Sie sich an die ursprüngliche Verkaufsstelle. Alternativ können Sie sich telefonisch an den Davey Kundendienst wenden oder Davey einen Brief an die unten genannte Kontaktadresse senden
- Legen Sie den Kaufbeleg oder einen Nachweis über das Kaufdatum bei
- Senden Sie auf Aufforderung das Produkt zurück und/oder übermitteln Sie weitere Angaben, die sich auf den Garantieanspruch beziehen. Die Rücksendung des Produkts an die Verkaufsstelle erfolgt auf Ihre Kosten und auf Ihre Verantwortung.
- Der Garantieanspruch wird von Davey anhand der Produktkenntnisse des Unternehmens und einer angemessenen Beurteilung geprüft und akzeptiert, sofern:
 - ein relevanter Mangel festgestellt wird
 - die Garantieanspruch während der jeweiligen Garantiezeit geltend gemacht wird; und
 - keine der oben genannten Ausschlussbedingungen zutrifft
- Der Kunde wird schriftlich über die Garantieentscheidung informiert, wird der Garantieanspruch des Kunden zurückgewiesen, so muss dieser die

Abholung des Produkts auf eigene Kosten veranlassen oder die Entsorgung des Produkts autorisieren.

Stellt sich heraus, dass der Garantieanspruch berechtigt ist, wird Davey das Produkt nach eigenem Ermessen kostenlos reparieren oder ersetzen. Die Davey-Garantie gilt zusätzlich zu den Rechten, die das lokale Verbraucherrecht vorsieht. Sie haben Anspruch auf Ersatz oder Rückerstattung bei einem größeren Mangel sowie auf eine Entschädigung für jeden vernünftigerweise vorhersehbaren Verlust oder Schaden. Sie haben außerdem einen Anspruch auf Nachbesserung oder Ersatzlieferung, wenn die Ware nicht von akzeptabler Qualität ist und es sich bei dem Fehler nicht um einen größeren Fehler handelt.

Bei allen Produkten, die mit dem Internet verbunden sind, ist der Verbraucher dafür verantwortlich, eine stabile Internetverbindung bereitzustellen. Im Falle eines Netzwerkausfalls muss der Verbraucher das Problem mit dem Dienstleister klären. Die Nutzung einer App ersetzt nicht die eigene Wachsamkeit des Anwenders, der sicherstellen muss, dass die Funktionsweise des Produkts den Erwartungen entspricht. Die Verwendung einer Smart Product App erfolgt auf eigenes Risiko des Benutzers. Soweit gesetzlich zulässig, schließt Davey jegliche Garantien aus, die sich auf die Genauigkeit, Vollständigkeit oder Zuverlässigkeit der Daten beziehen, die über die App bereitgestellt werden. Davey haftet nicht für direkte oder indirekte Verluste, Schäden oder Kosten, die dem Anwender daraus entstehen, dass er auf die Internetverbindung vertraut hat. Der Anwender stellt Davey von allen Ansprüchen oder Klagen Dritter frei, die sich auf die Internetverbindung oder die Daten stützen, die über die App bereitgestellt werden.

Zur Reparatur eingeschickte Produkte können anstelle einer Reparatur durch überholte Produkte desselben Typs ersetzt werden. Zur Reparatur der Produkte können überholte Teile verwendet werden. Bei der Reparatur Ihrer Produkte können benutzergenerierte Daten verloren gehen. Bitte stellen Sie sicher, dass Sie eine Kopie aller Daten erstellen, die auf Ihren Produkten gespeichert sind.

Soweit gesetzlich zulässig, haftet Davey nicht für entgangene Gewinne oder Folgeschäden, indirekte oder besondere Verluste, Schäden oder Verletzungen jeglicher Art, die direkt oder indirekt aus Davey-Produkten resultieren. Diese Einschränkung gilt nicht für die Haftung von Davey bei Nichteinhaltung einer Verbrauchergarantie, die nach lokalem Recht für Ihr Davey-Produkt gilt und hat keine Auswirkungen auf die Rechte oder Rechtsmittel, die Ihnen nach den lokalen Gesetzen zur Verfügung stehen.

Eine vollständige Liste aller Davey-Händler finden Sie auf unserer Website (daveywater.com), alternativ erhalten Sie diese telefonisch unter:

DAVEY

Davey Water Products Pty Ltd
Member of the GUD Group
ABN 18 066 327 517

daveywater.com

AUSTRALIA

Head Office

6 Lakeview Drive,
Scoresby, Australia 3179
Ph: 1300 232 839
Fax: 1300 369 119
Email: sales@davey.com.au

NEW ZEALAND

7 Rockridge Avenue,
Penrose, Auckland 1061
Ph: 0800 654 333
Fax: 0800 654 334
Email: sales@dwp.co.nz

EUROPE

7 rue Eugène Hénaff 69200
Vénissieux, France
Ph: +33 (0) 4 72 13 95 07
Fax: +33 (0) 4 72 33 64 57
Email: info@daveyeurope.eu

NORTH AMERICA

Ph: 1-888-755-8654
Email: info@daveyusa.com

MIDDLE EAST

Ph: +971 50 6368764
Fax: +971 6 5730472
Email: info@daveyuae.com

DAVEY

DAVEY
StarFlo®

Modelos monofásicos y trifásicos

Instalación e instrucciones de funcionamiento

SPANISH



CE



ADVERTENCIA: El incumplimiento de estas instrucciones y sus códigos correspondientes podría causar lesiones corporales graves y/o daños materiales.

La instalación de este producto debe realizarla una persona con conocimientos en instalaciones hidráulicas de piscinas siguiendo las instrucciones de instalación de este manual.

Por favor, instale y mantenga los productos en conformidad con la norma EN 60335-2-41 y las normas locales si el producto va a ser utilizado en Europa.

Por favor, facilite estas instrucciones al operador de este equipo.

Antes de utilizar esta bomba debe asegurarse de que:

- La bomba esté instalada en un entorno seguro.
- El recinto donde se encuentra la bomba tenga un correcto desagüe en caso de fuga.
- La tubería esté correctamente sellada e instalada.
- La bomba esté cebada correctamente.
- La fuente de alimentación esté correctamente conectada.
- Se hayan seguido todos los pasos necesarios para garantizar un uso seguro.

Toda la información necesaria de estos productos se incluye en estas instrucciones de instalación y funcionamiento. Léalas en su totalidad antes de encender la bomba. Si no está seguro de alguna de estas instrucciones de instalación y funcionamiento, contacte con su proveedor de Davey o la sucursal de Davey correspondiente como se detalla al dorso de este documento.

Si el cable de la alimentación está dañado, debe ser reemplazado por el fabricante, su representante o una persona cualificada para evitar riesgos.

Su bomba de piscina Davey StarFlo

Enhorabuena por la compra de un producto de calidad de la línea de equipamiento de piscinas Davey. Le aseguramos que disfrutará durante muchos años del funcionamiento fiable y eficiente de su bomba de agua de piscina Davey StarFlo con una garantía oficial de dos años.

La Davey StarFlo está diseñada para hacer circular el agua de un spa o piscina en las condiciones establecidas por la norma australiana para la calidad del agua de piscinas AS 3633 o similar. No deberían usarse con un fin distinto sin consultar previamente a su proveedor Davey o al Centro de Atención al Cliente de Davey.

Cada bomba de piscina Davey StarFlo está completamente testada contra un número de presiones, voltaje, corriente y parámetros de rendimiento mecánico. La avanzada tecnología de fabricación de bombas Davey ofrece productos con un funcionamiento fiable, eficiente y de larga duración.



El suministro de corriente de esta bomba debe ser a través de un transformador de aislamiento o ICP con una corriente nominal que no supere 30 mA.

TESTE APARATO PUEDE USARLO NIÑOS A PARTIR DE LOS 8 AÑOS Y PERSONAS CON ALGÚN TIPO DE DISCAPACIDAD FÍSICA, SENSORIAL O MENTAL O FALTA DE EXPERIENCIA Y CONOCIMIENTOS, SIEMPRE Y CUANDO SEAN SUPERVISADOS O HAYAN RECIBIDO ALGÚN TIPO DE FORMACIÓN PARA SU USO SEGURO Y SEAN CONSCIENTES DE LOS RIESGOS QUE CONLLEVA. LOS NIÑOS NO DEBEN JUGAR CON EL APARATO. SU LIMPIEZA Y MANTENIMIENTO NO DEBEN SER REALIZADOS POR NIÑOS SIN SUPERVISIÓN DE UN ADULTO.

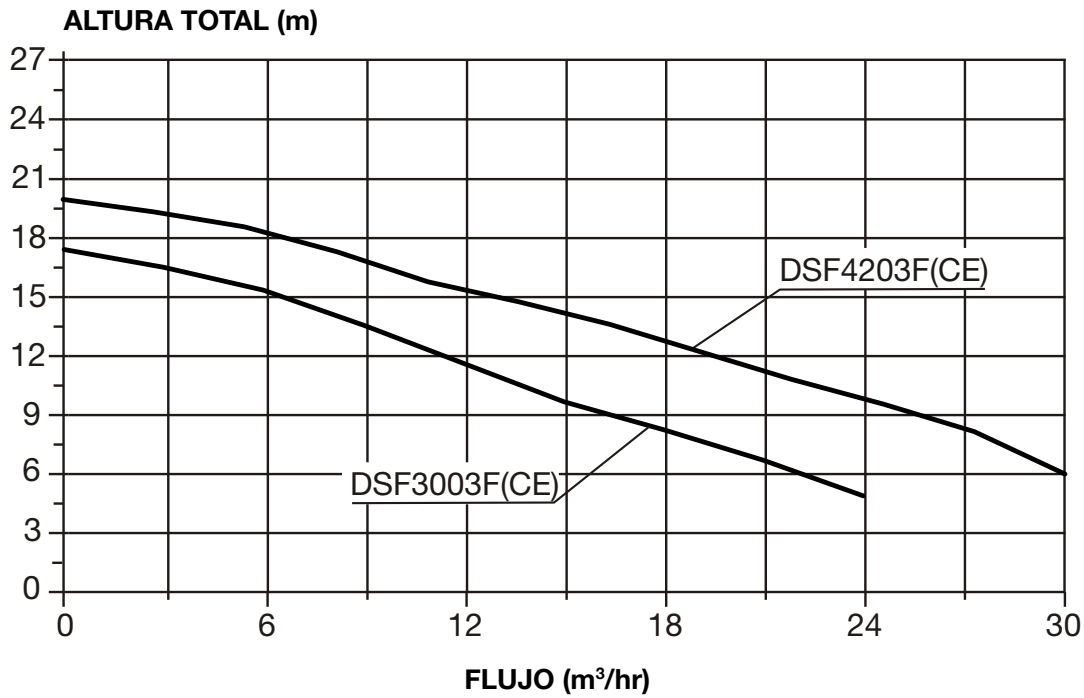
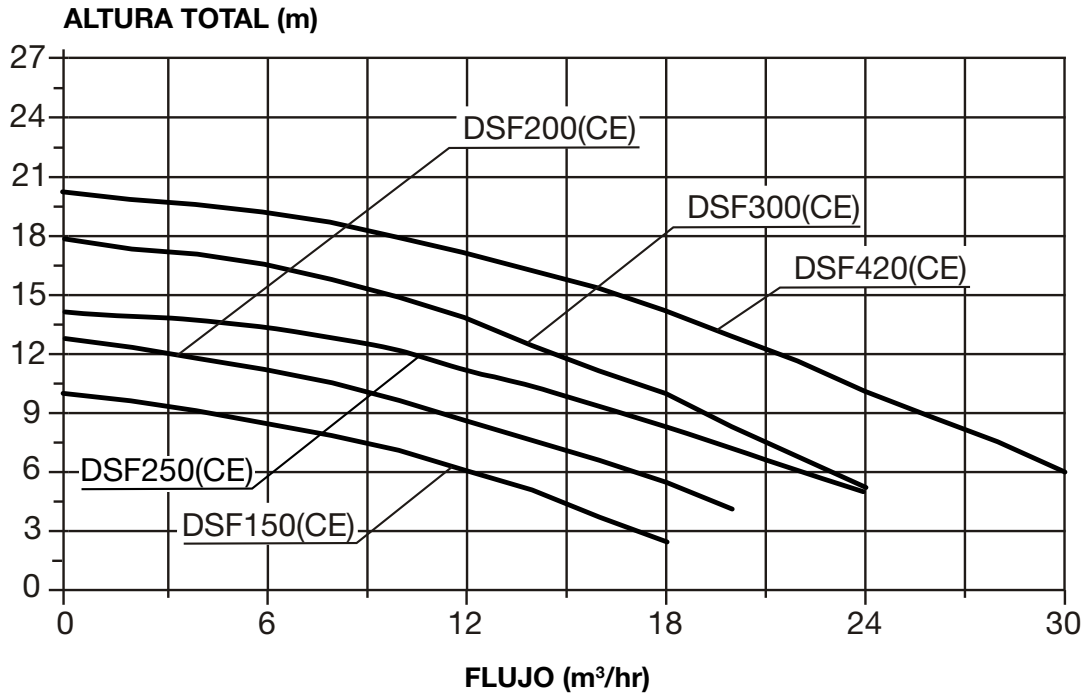
NO DESECHE LOS APARATOS ELÉCTRICOS COMO RESIDUO MUNICIPAL SIN CLASIFICAR, UTILICE INSTALACIONES DE RECOGIDA SELECTIVA.

CONTACTE CON SU AYUNTAMIENTO PARA MÁS INFORMACIÓN SOBRE LOS SISTEMAS DE RECOGIDA DISPONIBLES.

SI DEPOSITA ALGÚN APARATO ELÉCTRICO EN LA BASURA, ALGUNAS SUSTANCIAS PELIGROSAS PODRÍAN FILTRARSE EN EL AGUA SUBTERRÁNEA Y CAUSAR DAÑOS A SU SALUD Y BIENESTAR.



Bomba de piscina Davey StarFlo – Funcionamiento hidráulico:



Model	Q _{MAX}		H _{MAX} (m)	Power (P ₁)		Power (P ₂)		Amps	Net Weight (kg)
	L/min	m³/hr		kW	HP	kW	HP		
DSF150(CE)*	300	18	10	0.55	0.75	0.37	0.5	2.6	12.4
DSF200(CE)	333	20	13	0.75	1.0	0.55	0.75	3.7	13.6
DSF250(CE)	400	24	14	0.87	1.2	0.57	0.78	3.8	14.6
DSF300(CE)	433	26	18	1.1	1.5	0.75	1.0	5.8	15.5
DSF420(CE)	483	30	20	1.65	2.2	1.3	1.7	8.3	17.6
DSF3003F(CE)	383	24	17	1.1	1.5	0.75	1.0	2.0	14.3
DSF4203F(CE)	483	31	20	1.65	2.2	1.3	1.7	3.2	16.5

*Tenga en cuenta: la bomba DSF150CE es autocebante a 2 m como máximo

Ubicación

La bomba debe instalarse lo más cerca posible del agua y montarse sobre una base firme en una posición con buen drenaje, lo suficientemente alta para evitar posibles inundaciones. Es responsabilidad del instalador colocar la bomba de tal manera que la placa sea fácilmente visible y accesible para su mantenimiento. Los dos orificios de la base deben fijarse al suelo (como alternativa, puede hacerse con una almohadilla de goma y/o un bastidor de montaje) después de instalar la bomba.

Protección contra las condiciones meteorológicas adversas

Se recomienda proteger la bomba de las inclemencias del tiempo.

Conexión eléctrica



INFORMACIÓN IMPORTANTE: Si fuera necesaria una estructura de conexión equipotencial se facilita un punto de conexión equipotencial. (Consulte las normativas y estándares locales sobre cableado).

Las bombas de piscina Davey StarFlo DSF150CE, DSF200CE, DSF250CE, DSF300CE and DSF420CE son adecuadas para conectarse a una fuente de alimentación con una conexión nominal de 220-240 volt 50 Hz y están equipadas con un cable flexible. Si la toma de corriente se encuentra a más de 3 metros de la bomba, un electricista deberá instalar una toma en un lugar seco y seguro. Los alargadores no son seguros cerca de las piscinas y no deben utilizarse. Las bombas de piscina Davey StarFlo DSF3003FCE y DSF4203FCE son adecuadas para conectarse a

una fuente de alimentación con una conexión nominal de 380-415 volt 50 Hz y están equipadas con un cable flexible. La conexión

eléctrica deberá ser instalada por un electricista cualificado. Si el cable suministrado con este producto está dañado debe ser reemplazado por el distribuidor u otro proveedor con repuestos originales de Davey.



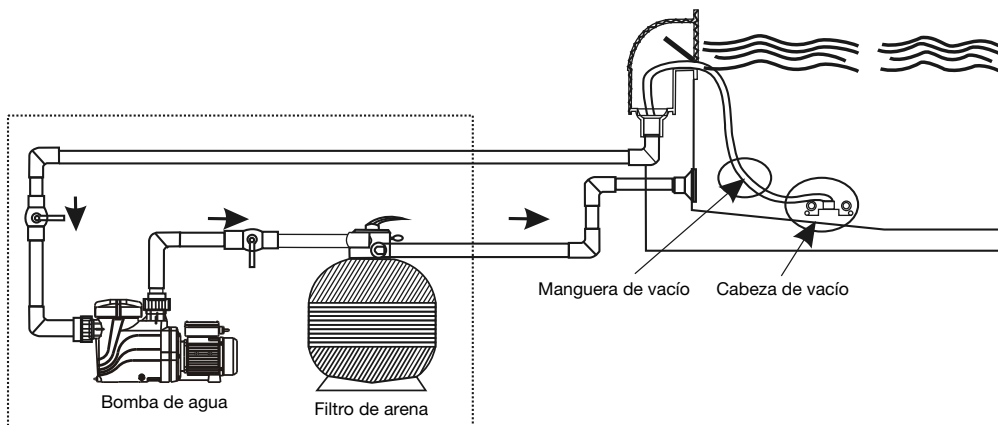
ATENCIÓN: Davey Water Products recomienda que todas las instalaciones estén equipadas con dispositivos de protección diferencial residual y de fuga a tierra. El suministro de corriente de esta bomba debe ser a través de un transformador de aislamiento o ICP con una corriente nominal igual o inferior a 30 mA. Por razones de seguridad, recomendamos que toda la instalación debe estar en conformidad con las normativas de cableado AS3000 o normativas locales equivalentes. Asegúrese de que haya un interruptor de aislamiento eléctrico de fácil acceso, de tal manera que se pueda apagar la bomba en caso de emergencia.



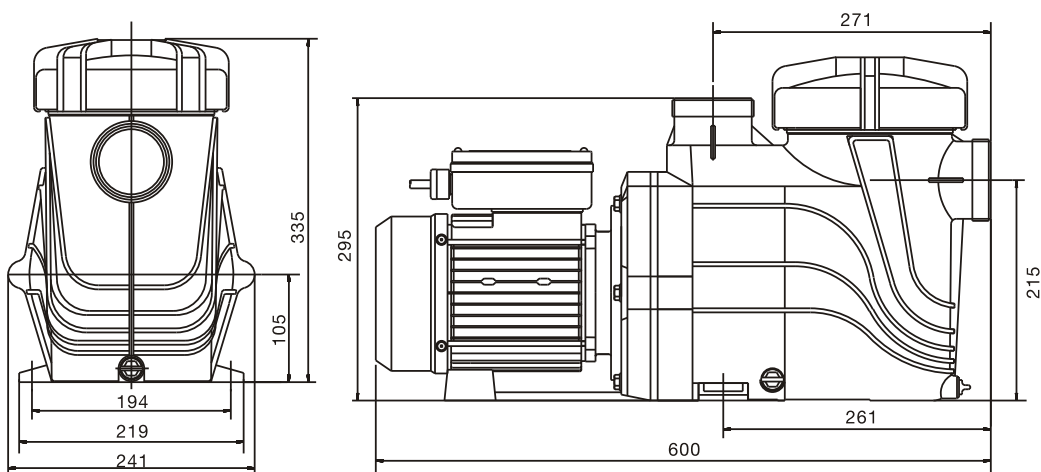
ATENCIÓN: En conformidad con AS/NZS 60335.2.41 debemos informarle que esta bomba no está destinada para ser utilizada por niños o personas enfermas y no debe usarse como un juguete. Si la bomba y el filtro están instalados por debajo del nivel del agua de la piscina, es necesario instalar válvulas de aislamiento en la tubería entre la bomba y la caja del skimmer y en la tubería de retorno entre la bomba y el filtro.

IMPORTANTE: Las piezas de este producto están fabricadas con ABS. Algunos compuestos para juntas de PVC son incompatibles con ABS. Consulte la adecuación de compuestos antes de usarlos.

Diagrama de instalación típica



Dimensiones



Conexión de la tubería

Las bombas de piscina StarFlo se venden con uniones cilíndricas para conectarse a la tubería de la piscina. Los siguientes modelos están diseñados para tubería europea de PVC de 50 y 63 mm:

- * DSF150(CE)
- * DSF200(CE)
- * DSF250(CE)
- * DSF300(CE)
- * DSF420(CE)
- * DSF3003F(CE)
- * DSF4203F(CE)

Los siguientes modelos están diseñados para tubería nominal de PVC de 50 y 40 mm:

- * DSF150
- * DSF200
- * DSF250
- * DSF300
- * DSF420
- * DSF3003F
- * DSF4203F

No se recomienda el uso de tuberías más pequeñas que las especificadas anteriormente. La tubería de succión debe estar libre de fugas de aire y huecos y protuberancias que puedan presentar dificultades de succión. La tubería de descarga de la salida de bomba debe conectarse a una conexión de entrada del filtro de la piscina (normalmente en la válvula de control del filtro).



Las uniones deben ajustarse manualmente. No es necesario el uso de selladores, pegamentos ni siliconas.

Activación de la bomba

Para funcionar de manera eficiente y prevenir daños en la bomba debe haber un flujo de agua libre desde y hacia la bomba. Antes de comenzar asegúrese de que:

- Todas las tuberías estén correctamente selladas.
 - El nivel de agua de la piscina esté a la altura correcta.
 - Asegúrese de que todas las válvulas correspondientes estén abiertas y de que no haya nada que imposibilite el flujo de agua a través del sistema.
1. Cuando la bomba esté por encima de la línea del agua de la piscina, ceba la bomba quitando la tapa de la canasta del filtro y llénela de agua. Cierre la tapa asegurándose de que encaja con la junta tórica.
 2. Conéctela a la fuente de alimentación y enciéndala.
 3. Deje funcionar la bomba de manera que el aire atrapado se expulse.
 4. Si el agua no sale en aproximadamente dos minutos con un fuerte flujo, **apague la bomba y repita el proceso**. La continua presencia de aire bajo la tapa de la canasta del filtro indica una fuga de aire en la tubería de succión que debería repararse para evitar daños en la bomba.

Funcionamiento de la bomba

Para un funcionamiento óptimo de la bomba, la caja de la canasta del filtro debe estar llena de agua sin burbujas de aire. El nivel del agua de la piscina debe mantenerse siempre al menos a media altura de la caja de skimmer asegurándose de que el agua esté en la bomba en todo momento. Cada cierto tiempo es necesario volver a cebar la bomba. Esto debe realizarse como se describe a continuación:



Nunca active la bomba en seco. Activar la bomba sin agua puede dañar las juntas mecánicas, causando fugas e inundaciones. Los daños por la marcha en seco y otros daños asociados no están cubiertos por la garantía. Las bombas de piscina Davey StarFlo incorporan un sistema de protección contra sobrecarga térmica con autoreseteado, reduciendo los daños potenciales.

Vaciado de la canasta del filtro

La canasta del filtro debe revisarse frecuentemente a través de la tapa transparente y vaciada cuando haya acumulación de residuos. Deben seguirse las siguientes indicaciones.

1. Apague la bomba y desconéctela.
2. Cierre todas las válvulas de la tubería.
3. Desatornille la tapa de la canasta del filtro en el sentido contrario a las agujas del reloj y retírela.
4. Retire la canasta del filtro tirando hacia arriba de su caja.
5. Retire los residuos atrapados en la canasta. Enjuáguela con agua si es necesario.
6. Compruebe que la canasta del filtro no tenga grietas, si todo está correcto vuelva a colocarla en la bomba. No realizar un mantenimiento regular puede causar daños no cubiertos por la garantía.
7. Vuelva a colocar la tapa y asegúrese de que encaja con la junta tórica. Apriete manualmente solo si es necesario. La junta tórica y la rosca pueden ser lubricadas con Hydra slip o productos similares.
8. Abra todas las válvulas de la tubería.



No realizar un mantenimiento regular puede causar daños no cubiertos por la garantía.

Resolución de problemas

Si se activa la bomba pero no hay flujo de agua o es escaso, puede deberse a las siguientes causas:

1. El filtro necesita retrolavado o está obstruido. Consulte la sección correspondiente del manual del filtro.
2. La bomba no está cebada. Vuelva a cebarla como se detalla en «Activación de la bomba».
3. Hay fugas de aire en la tubería de succión. Compruebe toda la tubería y elimine las fugas, compruebe también que la tapa de la canasta del filtro no esté suelta. Las burbujas de aire en el agua que fluye en la parte trasera de la piscina podrían indicar una fuga en la succión de la bomba permitiendo que el aire entre en la tubería.
4. Una junta del eje de la bomba que gotee también podría impedir su funcionamiento. Prueba de ello sería encontrar agua en el suelo debajo la bomba.
5. La bomba no puede coger agua de la piscina. Compruebe que las válvulas de la bomba estén completamente abiertas y que el nivel de agua de la piscina esté a media altura de la caja de skimmer.
6. Obstrucción en la tubería o la bomba. Retire la canasta del filtro y compruebe si hay alguna obstrucción en la entrada de la turbina de la bomba. Compruebe que la caja del skimmer no tenga ninguna obstrucción.

Si la bomba no funciona, puede deberse a las siguientes razones:

1. La corriente no está conectada. Solo para voltajes de 220-240, compruebe la toma de corriente enchufando un aparato portátil para comprobar que haya corriente. Compruebe también los fusibles y el interruptor del suministro de corriente principal
2. La sobrecarga automática se activa debido a un sobrecalentamiento. La bomba posee un sistema integrado contra sobrecarga térmica que se autoreseteará una vez que el motor se enfríe. Determine la causa de la sobrecarga y solúcelo.
3. Una obstrucción no permite que la bomba gire.
4. El motor está quemado. El olor a quemado es evidente. Necesita sustituirse.

Si no puede realizar la instalación o tiene problemas con el funcionamiento de su bomba de piscina Davey StarFlo, contacte con el proveedor donde adquirió la bomba. Si necesita más ayuda contacte con el servicio de atención al cliente de Davey en la dirección indicada en este manual.

La reparación, retirada y mantenimiento del aparato deben ser realizados por el fabricante o el personal profesional de su representante.

Extracción de la bomba desde la tubería

Si fuera necesario retirar la bomba, siga estas instrucciones:

1. Apague la corriente y desenchufe el conector de la toma de corriente.



ATENCIÓN: Si la bomba está conectada a un temporizador u otro control automático, el cable debe ser retirado por un técnico cualificado. Si no está seguro, contacte con el lugar de compra del producto. En caso de necesitar más ayuda, contacte con su representante de Davey en la dirección indicada en este manual.

2. Cierre las válvulas del agua de la línea de retorno a la piscina y de la tubería de entrada de la bomba.
3. Retire las uniones de descarga y succión con cuidado de no extraviar las juntas tóricas.
4. Mueva la tubería con las uniones fijadas hasta que la bomba se pueda extraer sin dificultad.



NOTA: Cuando haga alguna consulta sobre su bomba de piscina StarFlo asegúrese de indicar el número de modelo de la placa situada en el motor.

Calidad del agua

Mantener un equilibrio químico del agua es importante para la vida de su bomba de piscina. Esta bomba está diseñada para usarse con agua de piscina, equilibrada y en conformidad con el índice de saturación Langlier.

EQUILIBRIO DEL AGUA DE LA PISCINA	Cloro libre (ppm)	pH	Total Alcalinidad TA (ppm)	Cal Dureza (ppm)	Estabilizador - Ácido cianúrico (ppm)	Recomendado Niveles de sal (ppm)
Lectura idónea /rango	1,5 - 3	Piscinas revestidas de azulejos y hormigón 7.4-7.6 Otras superficies 7.2-7.4	80 - 150	Piscinas revestidas de azulejos y hormigón 200-275 Otras superficies 100-225	25-50 ppm (15-25 ppm si se usa con un controlador de ORP) No usar en piscinas cubiertas.	Depende del modelo (ver página 27)
Aumentar	Aumente la producción de higienizante. Añada cloro. Aumente el tiempo de filtrado.	Añada carbonato sódico	Añada bicarbonato sódico	Añada cloruro de calcio	Añada ácido cianúrico	Añada sal
Reducir	Reduzca la producción de higienizante. Reduzca el tiempo de filtrado.	Añada ácido clorhídrico	Añada ácido clorhídrico o ácido seco.	Vacíe la piscina parcialmente y rellénela con agua de menor dureza para diluir	Vacíe la piscina parcialmente y rellénela para diluir	Vacíe la piscina parcialmente y rellénela para diluir
Frecuencia de pruebas	Semanal	Semanal	Semanal	Semanal	Regularmente	Regularmente

Consulte regularmente con su tienda de piscinas local para comprobar el agua.



LAS CONEXIONES ELÉCTRICAS Y LAS INSTALACIONES ELÉCTRICAS DEBEN SER LLEVADAS A CABO POR UN ELECTRICISTA AUTORIZADO.



¡ADVERTENCIA! La succión de la bomba es peligrosa y puede atrapar y ahogar o destripar a los bañistas. No obstaculice la succión. No use ni ponga en funcionamiento la piscina si la cubierta de succión está rota, extraviada o suelta. Se incluyen dos cubiertas y entradas de succión con cada bomba para evitar posibles atrapamientos por succión.



¡Aviso! No añada sustancias químicas directamente al skimmer de la piscina. Añadir sustancias químicas sin diluir puede dañar la bomba y el filtro y dichos daños no están cubiertos por la garantía.



Tareas rutinarias de mantenimiento: para prolongar la vida del equipo de su piscina y para su seguridad personal, consulte esta lista una vez por semana. Primero apague la bomba.

- a. Asegúrese de que los indicadores de presión funcionen correctamente y los valores de presión estén dentro de los límites especificados en el producto.
- b. Asegúrese de que cada entrada de succión y el drenaje principal tengan una cubierta y que estén cerrados correctamente y en unas condiciones de funcionamiento seguras.
- c. Asegúrese de que todas las cubiertas de skimmer estén cerradas correctamente y en unas condiciones de funcionamiento seguras. Estas deben reemplazarse cada 3 o 4 años.
- d. Retire cualquier obstrucción o residuo de la cubierta del sumidero.
- e. Asegúrese, al menos una vez por semana, de que las canastas de skimmer y los recipientes para pelos y pelusas de la bomba no contengan hojas ni residuos.
- f. Retire cualquier obstrucción o combustible cerca del motor de la bomba.
- g. Asegúrese de que todas las conexiones del cableado estén limpias y que todo el equipo eléctrico y de cableado esté en buen estado. El cableado dañado debe ser reparado o reemplazado por un electricista cualificado tan pronto como se detecte el daño.
- h. Compruebe el equilibrio del agua y los niveles de higienización con su tienda de piscinas local.
- i. Compruebe que haya suficiente flujo de aire detrás de la bomba: espacio.



PELIGRO: Succión peligrosa. No bloquee la entrada de agua al sistema de filtración con ninguna parte del cuerpo ya que la presión puede atrapar el cabello o partes del cuerpo, causando daños graves o la muerte. No obstaculice la succión.
Apague la bomba inmediatamente si alguien se queda atrapado.

Garantía de Bomba Davey

Davey Water Products Pty Ltd (Davey) garantiza que todos los productos que vende estarán libres de defectos (en condiciones de uso y servicio normales) tanto por lo que respecta al material como a la calidad del trabajo durante un periodo de tiempo no inferior a un (1) año, contado a partir de la fecha de la compra original por el cliente que consta en la factura. Para periodos de garantía específicos para todos los productos Davey, puede visitar nuestra página daveywater.com.

Esta garantía no cubre el desgaste normal producido por el uso y no es aplicable a un producto que:

- haya sufrido un uso inadecuado, descuido, negligencia, daño o accidente.
- haya sido usado, manejado o cuidado de un modo diferente al prescrito en las instrucciones de Davey
- no haya sido instalado siguiendo las instrucciones de instalación o por personal adecuadamente cualificado
- haya sido modificado o alterado en sus especificaciones originales o de cualquier otra manera no aprobada por Davey.
- haya sido sometido a reparaciones -o se hayan intentado- por parte de personal ajeno a Davey o a alguno de sus distribuidores autorizados
- haya sido sometido a condiciones anormales tales como tensión incorrecta, rayos o picos de tensión u otros daños producidos como resultado de acción electrolítica, cavitación, salinidad corrosiva o líquidos abrasivos

La garantía de Davey, asimismo, no cubre la sustitución de cualquier consumible o los defectos en productos y componentes que hayan sido proporcionado a Davey por terceras partes (no obstante, Davey proporcionará una asistencia razonable para obtener el beneficio de la garantía de dichas terceras partes)

Para hacer una reclamación amparada por la garantía:

- Si existe la sospecha de que el producto está defectuoso, deje de usarlo inmediatamente y póngase en contacto con el distribuidor donde lo haya adquirido. De manera alternativa, llame por teléfono al Servicio de Atención al Cliente de Davey o envíe una carta valiéndose de los datos de contacto que figuran más abajo
- Aporte prueba o comprobante de la fecha de compra
- En caso de que así sea solicitado, devuelva el producto y/o aporte información complementaria sobre la reclamación. La devolución del producto al lugar de compra se hará a sus expensas y bajo su responsabilidad.
- La reclamación será evaluada por Davey sobre la base de su conocimiento del producto y criterio razonable y será aceptada si:
 - se encuentra un defecto relevante
 - la reclamación se realiza dentro del periodo de vigor de la garantía; y
 - no se aplican ninguna de las condiciones de exclusión enumeradas anteriormente
- Se le notificará al cliente la decisión sobre la reclamación por escrito, y si resultará no aceptada, la recogida del producto deberá ser organizada por el propio cliente, quien asimismo correrá con los gastos o, por el contrario, autorizará su destrucción.

En caso de que se estime la reclamación, Davey podrá optar por reparar o sustituir, a su criterio, el producto de manera gratuita.

La garantía de Davey se suma a todos sus derechos legales como consumidor de acuerdo a las leyes aplicables por la jurisdicción vigente en materia de consumo. Tiene derecho a una sustitución o devolución del importe de la compra en caso de fallo grave y a una compensación por cualquier otro perjuicio o daño razonablemente previsible. También tiene derecho a la reparación o sustitución de los productos si estos no ofrecen la calidad adecuada y el fallo no se considera una avería grave.

Para el caso de cualquier producto conectado a internet, será responsabilidad del consumidor garantizar una conexión estable a internet. En el caso de un fallo de la red, el consumidor tendrá que dirigir su queja a su proveedor del servicio. La utilización de una App no sustituye en ningún caso la propia supervisión del Usuario asegurándose de que el producto está funcionando como debe. El uso de una App inteligente corre por cuenta y riesgo del Usuario. Hasta el máximo de lo permitido por la ley, Davey rechaza cualquier garantía, expresa o implícita respecto a la exactitud, integridad o fiabilidad de los datos de aplicación Davey no será responsable por cualquier perjuicio o daño directo o indirecto o costes sufridos por el Usuario derivados de su confianza en la conectividad a internet. El Usuario indemnizará y eximirá de responsabilidad a Davey por cualquier reclamación o demanda legal por su parte o por parte de cualesquiera otros basadas en la conectividad a internet o datos de Aplicación, que pudieren surgir a este respecto.

Los productos enviados para su reparación podrán ser sustituidos por productos rehabilitados del mismo tipo en lugar de ser reparados. Se podrán usar piezas restauradas para reparar los productos dañados. La reparación de su producto podría dar como resultado la pérdida de cualquier dato generado por el usuario. Asegúrese de haber hecho una copia de todos los datos almacenados en sus productos.

Hasta el máximo de lo permitido por la ley, Davey no será responsable por cualquier pérdida o merma de beneficio, o cualquier pérdida o daño consiguiente, indirecto o extraordinario o perjuicio de cualquier índole derivado directa o indirectamente de los productos de Davey. Esta limitación no se aplica a cualquier responsabilidad de Davey en relación con un eventual incumplimiento por su parte de los términos de la garantía aplicables a su producto Davey según la legislación y, asimismo, no afecta a ninguno de los derechos o compensaciones disponibles según la legislación local vigente.

Para un listado completo de Distribuidores Davey, puede visitar nuestra página web (daveywater.com) o llamar al:

DAVEY

Davey Water Products Pty Ltd
Member of the GUD Group
ABN 18 066 327 517

daveywater.com

AUSTRALIA

Head Office

6 Lakeview Drive,
Scoresby, Australia 3179
Ph: 1300 232 839
Fax: 1300 369 119
Email: sales@davey.com.au

NEW ZEALAND

7 Rockridge Avenue,
Penrose, Auckland 1061
Ph: 0800 654 333
Fax: 0800 654 334
Email: sales@dwp.co.nz

EUROPE

7 rue Eugène Hénaff 69200
Vénissieux, France
Ph: +33 (0) 4 72 13 95 07
Fax: +33 (0) 4 72 33 64 57
Email: info@daveyurope.eu

NORTH AMERICA

Ph: 1-888-755-8654
Email: info@daveyusa.com

MIDDLE EAST

Ph: +971 50 6368764
Fax: +971 6 5730472
Email: info@daveyuae.com

DAVEY

DAVEY StarFlo®

Modèles monophasés et triphasés

Instructions d'installation et d'utilisation



FR

Cet appareil,
ses accessoires,
et cordons
se recyclent

À DÉPOSER

EN MAGASIN



À DÉPOSER

EN DÉCHÈTERIE



OU



AVERTISSEMENT : Le non-respect de ces instructions et de l'ensemble des codes en vigueur peut causer de graves blessures et dommages matériels.

L'installation de ce produit doit être effectuée par une personne compétente en exigences de plomberie de piscine et qui suit les instructions d'installation fournies dans ce manuel.

Veillez installer et entretenir les produits conformément à la norme EN 60335-2-41 et la réglementation locale quand le produit est utilisé en Europe.

Veillez fournir ces instructions à l'opérateur de cet équipement.

Avant d'utiliser cette pompe, assurez-vous de ce qui suit :

- La pompe est installée dans un environnement sûr
- L'enveloppe de la pompe a un drainage adéquat en cas de fuite
- La tuyauterie est correctement étanchéifiée et soutenue
- La pompe est amorcée correctement
- L'alimentation électrique est correctement connectée
- Toutes les mesures ont été prises pour un fonctionnement sûr

Les détails appropriés pour tous ces éléments figurent dans les instructions d'installation et d'utilisation. Lisez-les intégralement avant de démarrer cette pompe. Si vous avez le moindre doute sur les instructions d'installation et d'utilisation, contactez votre distributeur Davey ou le bureau Davey approprié figurant au verso de ce document.

Pour éviter les accidents Si le câble d'alimentation est endommagé, il doit être remplacé par le fabricant, un concessionnaire ou toute autre personne de qualification similaire.

Votre pompe de piscine StarFlo de Davey

Félicitations pour votre achat d'un produit de qualité de la gamme d'équipements de piscines de Davey. Vous êtes assuré de bénéficier de nombreuses années de fonctionnement fiable et efficace de votre pompe de piscine StarFlo de Davey couverte par une garantie de Davey pendant deux ans.

La Davey StraFlo est conçue pour faire circuler l'eau d'une piscine a dans les conditions définies dans la norme australienne relative à la qualité de l'eau des piscines AS 3633 ou à des normes équivalentes. Ce produit ne doit pas être utilisé à d'autres fins sans consultation préalable de votre distributeur Davey ou du service après-vente de Davey.

Chaque pompe de piscine StarFlo de Davey a subi des essais complets avec un certain nombre de paramètres de pression, tension, intensité et performance mécanique. La technologie de pompe de pointe de Davey fournit une performance de pompage fiable et efficace qui dure encore et encore.



L'alimentation électrique fournie pour cette pompe doit être munie d'un transformateur d'isolement ou RCD (dispositif de courant résiduel) ayant une intensité de fonctionnement nominale ne dépassant pas 30 mA.

CET APPAREIL PEUT ETRE UTILISÉ PAR DES ENFANTS ÂGÉS D'AU MOINS 8 ANS ET DES PERSONNES AYANT DES CAPACITÉS PHYSIQUES, SENSORIELLES OU MENTALES RÉDUITES OU MANQUANT D'EXPÉRIENCE ET DE CONNAISSANCES SI ELLES BÉNÉFICIENT D'UNE SURVEILLANCE OU D'INSTRUCTIONS CONCERNANT LA BONNE UTILISATION DE L'APPAREIL ET COMPRENNENT LES RISQUES POSSIBLES. LES ENFANTS NE DOIVENT PAS JOUER AVEC L'APPAREIL. LE NETTOYAGE ET LA MAINTENANCE DE LA PART DE L'UTILISATEUR NE DOIVENT PAS ÊTRE RÉALISÉS PAR DES ENFANTS SANS SURVEILLANCE.

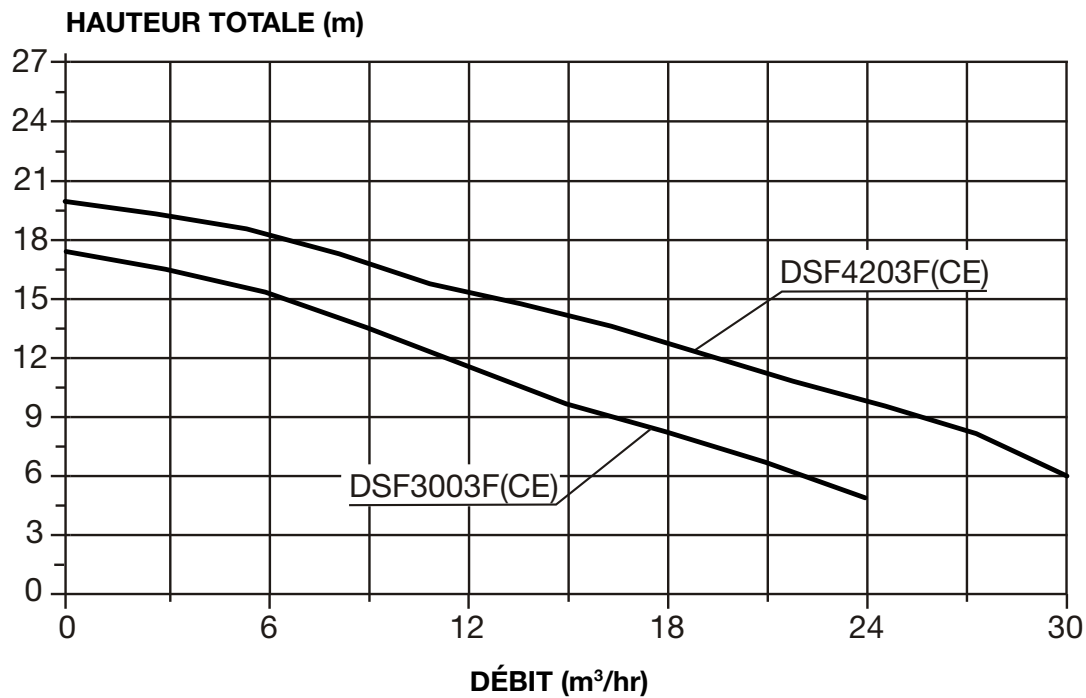
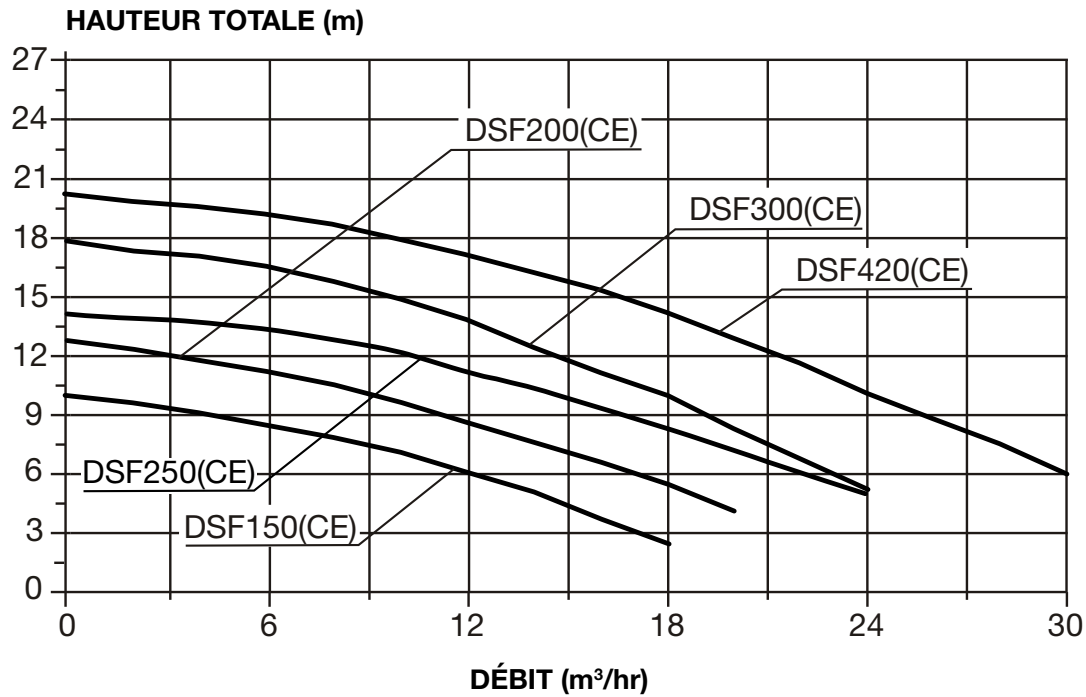
NE JETEZ PAS LES APPAREILS ÉLECTRIQUES PARMIS LES DÉCHETS MÉNAGERS NON TRIÉS, ADRESSEZ-VOUS AUX CENTRES DE COLLECTE SPÉCIFIQUES.

PRENEZ CONTACT AVEC VOTRE MAIRIE POUR OBTENIR TOUTES LES INFORMATIONS UTILES SUR LES SYSTÈMES DE COLLECTE DISPONIBLES.

SI DES APPAREILS ÉLECTRIQUES SONT ABANDONNÉS DANS DES DÉCHARGES, DES SUBSTANCES DANGEREUSES PEUVENT S'EN ÉCHAPPER ET PÉNÉTRER DANS LA NAPPE PHRÉATIQUE ET CONTAMINER LA CHAÎNE ALIMENTAIRE, CE QUI PRÉSENTE UN RISQUE POUR VOTRE SANTÉ ET VOTRE BIEN-ÊTRE.



Pompe de piscine StarFlo Davey – Performance hydraulique :



Model	Q _{MAX}		H _{MAX} (m)	Power (P ₁)		Power (P ₂)		Amps	Net Weight (kg)
	L/min	m³/hr		kW	HP	kW	HP		
DSF150(CE)*	300	18	10	0.55	0.75	0.37	0.5	2.6	12.4
DSF200(CE)	333	20	13	0.75	1.0	0.55	0.75	3.7	13.6
DSF250(CE)	400	24	14	0.87	1.2	0.57	0.78	3.8	14.6
DSF300(CE)	433	26	18	1.1	1.5	0.75	1.0	5.8	15.5
DSF420(CE)	483	30	20	1.65	2.2	1.3	1.7	8.3	17.6
DSF3003F(CE)	383	24	17	1.1	1.5	0.75	1.0	2.0	14.3
DSF4203F(CE)	483	31	20	1.65	2.2	1.3	1.7	3.2	16.5

*Veuillez noter que la pompe DSF150CE est auto-amorçante à 2 m maximum

Choix de l'emplacement

La pompe doit être placée le plus près possible de l'eau et montée sur une base ferme dans une position bien drainée, suffisamment haut pour éviter un débordement. Il relève de la responsabilité de l'installateur de placer la pompe de façon à ce que la plaque signalétique soit facilement lisible et que la pompe soit facilement accessible pour une intervention. Les deux trous dans la base doivent être fixés au sol (alternativement, cela peut être effectué avec un patin en caoutchouc et/ou un cadre de montage) après l'installation de la pompe.

Protection contre les intempéries

Il est recommandé de protéger la pompe contre les intempéries.

Branchement électrique



INFORMATIONS IMPORTANTES: Si une structure de liaison équipotentielle est nécessaire, alors un point de liaison équipotentielle est fourni. (Consultez la réglementation et les normes relatives au câblage).

Les pompes de piscines Davey StarFlo DSF150CE, DSF200CE, DSF250CE, DSF300CE et DSF420CE conviennent à un branchement à une alimentation électrique nominale de 220 à 240 volts et de 50 Hz et sont équipées d'un câble et d'un câble souple. Si aucune prise secteur n'est disponible à moins de 3 mètres de la pompe, il faut demander à un électricien d'installer une prise électrique dans un endroit sec et sûr. Les pompes StarFlo Davey DSF3003F et DSF4203F conviennent à un branchement à une alimentation électrique nominale de 380-415 volts 50 Hz et sont équipées d'un câble souple. La connexion électrique doit être faite pour un électricien. Les rallonges sont dangereuses autour des piscines et doivent être évitées. Si le cordon d'alimentation de ce produit est endommagé, confiez son remplacement au distributeur, avec des pièces de rechange Davey authentiques.



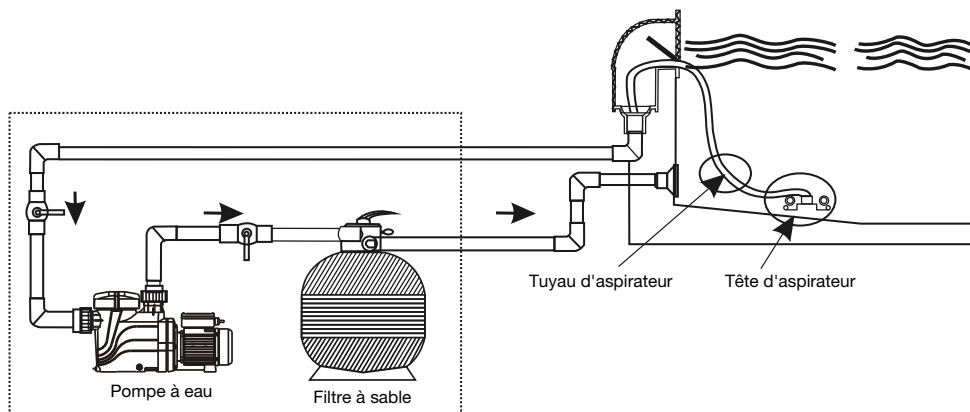
ATTENTION: Davey Water Products recommande que toutes les installations soient équipées de dispositifs de protection contre les fuites à la terre ou la protection contre le courant résiduel. L'alimentation de cette pompe doit se faire par un transformateur de séparation ou un différentiel ayant un courant assigné d'emploi ne dépassant pas 30mA. Pour des raisons de sécurité, nous vous conseillons de l'installer conformément aux règles de câblage AS3000 ou à un équivalent local. Assurez-vous que l'interrupteur d'isolation électrique est facilement accessible afin que la pompe puisse être éteinte en cas d'urgence.



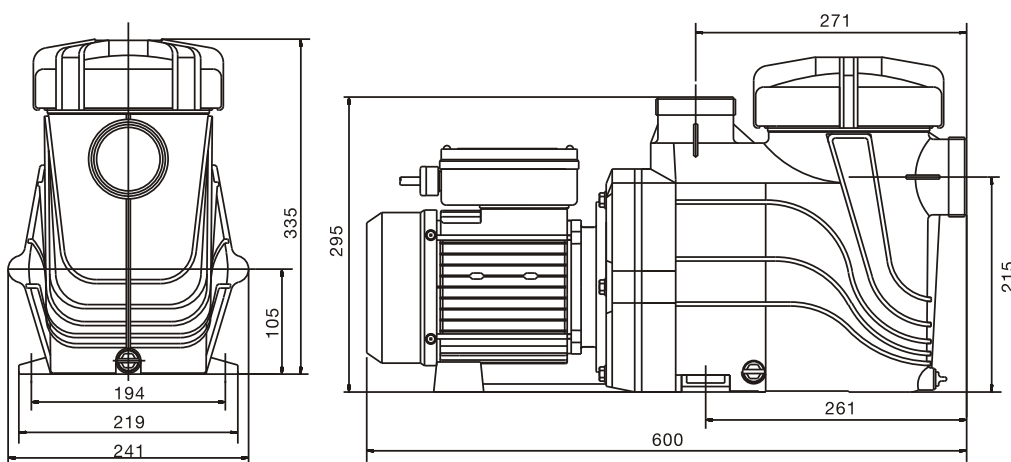
ATTENTION: conformément à la norme AS / NZS 60335.2.41, nous sommes tenus de vous informer que cette pompe ne doit pas être utilisée par des enfants ou des personnes infirmes ni par des enfants. Si la pompe et le filtre sont situés sous le niveau d'eau de la piscine, il est nécessaire d'installer des vannes d'isolement sur le tuyau situé entre la pompe et le skimmer et sur le tuyau de retour entre la pompe et le filtre.

IMPORTANT: Les raccords de ce produit sont construits en ABS. Certains composants de jointoiment en PVC sont incompatibles avec l'ABS. Vérifiez avant utilisation.

Schéma d'installation type



Dimensions



Raccordement de la tuyauterie

Les pompes de piscine StarFlo sont fournies avec des unions pour le raccordement à la tuyauterie de la piscine. Les modèles suivants sont conçus pour accepter les tuyaux en PVC européens de 50 et 63 mm :

- * DSF150(CE)
- * DSF200(CE)
- * DSF250(CE)
- * DSF300(CE)
- * DSF420(CE)
- * DSF3003F(CE)
- * DSF4203F(CE)

Les modèles suivants sont conçus pour des tubes PVC nominaux de 40 mm et 50 mm :

- * DSF150
- * DSF200
- * DSF250
- * DSF300
- * DSF420
- * DSF3003F
- * DSF4203F

L'utilisation d'une conduite plus petite que ce qui est spécifié ci-dessus est déconseillé. La tuyauterie d'aspiration doit être exempte de fuites d'air. Les bosses et les cavités causent des difficultés d'aspiration. La tuyauterie de refoulement venant de la sortie de pompe doit être raccordée au raccord d'entrée sur le filtre de la piscine (généralement sur la vanne de régulation du filtre).



Les raccords-écrous doivent être serrés à la main. Vous n'avez besoin d'aucun produit d'étanchéité, colle ni silicone.

Démarrage de la pompe

Pour que la pompe fonctionne efficacement et en évitant les dommages, il doit y avoir un débit continu d'eau vers et depuis la pompe. Avant de procéder au démarrage, vérifiez que:

- Toute la tuyauterie est correctement étanchéifiée.
 - Le niveau de l'eau dans la piscine est à la bonne hauteur.
 - Vérifiez que tous les robinets appropriés sont ouverts et que rien n'empêche l'eau de circuler dans le système.
1. Quand la pompe est au-dessus de la ligne d'eau de la piscine, amorcez d'abord la pompe en enlevant le couvercle du panier filtrant et en remplissant la zone du panier filtrant avec de l'eau. Remplacez le couvercle en vous assurant qu'il assure l'étanchéité sur le joint torique.
 2. Branchez l'alimentation électrique et mettez la pompe sous tension.
 3. Laissez la pompe fonctionner afin d'évacuer tout air piégé.
 4. Si l'amorçage n'a pas été établi en environ deux minutes, comme cela peut être indiqué par un débit d'eau important, **mettez la pompe hors tension et recommencez la procédure**. Une présence d'air constante sous le couvercle du panier filtrant indique une fuite d'air dans la tuyauterie d'aspiration qui doit être corrigée afin d'éviter que la pompe ne soit endommagée.

Fonctionnement de la pompe

Pour une performance optimale de la pompe, le boîtier du panier filtrant doit toujours être plein d'eau et exempt de bulles d'air. Le niveau d'eau de la piscine doit toujours être maintenu à au moins mi-hauteur du boîtier d'écumoire pour s'assurer que l'eau est dans la pompe en permanence. Il faudra réamorcer la pompe de temps en temps. Cela doit être effectué comme décrit ci-dessus.



Ne faites jamais fonctionner la pompe à sec. Un fonctionnement à sec de la pompe peut endommager les joints mécaniques, causant une fuite et un débordement. Des dommages dus à un fonctionnement à sec et des dommages associés ne sont pas couverts par la garantie. Les pompes de piscine StarFlo de Davey incorporent une protection contre la surcharge thermique à réenclenchement automatique, ce qui réduit les dommages potentiels.

Vidage du panier filtrant

Le panier filtrant doit être inspecté fréquemment par le couvercle transparent et vidé quand une accumulation de débris est évidente. Suivez les instructions suivantes.

1. Mettez la pompe hors tension et débranchez-la.
2. Fermez tous les robinets dans la tuyauterie.
3. Dévissez le couvercle du panier filtrant dans le sens inverse des aiguilles d'une montre et enlevez-le.
4. Enlevez le panier filtrant en le levant hors de son logement.
5. Videz les déchets qui ont été piégés dans le panier. Aspergez d'eau si nécessaire.
6. Vérifiez si le panier filtrant comporte des fissures, puis remplacez-le dans la pompe s'il est intact. Un manque d'entretien régulier peut causer des dommages non couverts par la garantie.
7. Remplacez le couvercle et vérifiez qu'il assure l'étanchéité sur le joint torique en caoutchouc. Un serrage à la main est suffisant. Le joint torique et le filetage peuvent être lubrifiés avec Hydra Slip ou des produits équivalents.
8. Ouvrez tous les robinets dans la tuyauterie.



Un manque d'entretien régulier peut causer des dommages non couverts par la garantie.

Dépannage

Si la pompe fonctionne mais avec un débit d'eau nul ou réduit, les conditions suivantes peuvent s'appliquer :

1. Le filtre a besoin d'un lavage à contre-courant ou il est bouché. Consultez la section pertinente du manuel de filtre.
2. La pompe n'est pas amorcée. Réamorcez-la selon les instructions dans « Amorçage de la pompe ».
3. Il y a des fuites d'air dans la tuyauterie d'aspiration. Vérifiez tous les tuyaux et éliminez les fuites, vérifiez également si le couvercle du panier filtrant est desserré. Des bulles d'air dans l'eau revenant vers la piscine indiqueraient une fuite dans l'aspiration vers la pompe, permettant à l'air d'entrer dans la tuyauterie.
4. Un joint d'arbre de pompe qui fuit peut également empêcher son fonctionnement. De l'eau par terre sous la pompe en témoignerait.
5. La pompe ne parvient pas à prendre l'eau de la piscine. Vérifiez que les robinets vers la pompe sont complètement ouverts et que le niveau d'eau de la piscine va jusqu'à mi-hauteur de la boîte d'écumoire.
6. Blocage dans la tuyauterie ou la pompe. Enlevez le panier filtrant et vérifiez s'il y a un blocage vers l'entrée de la turbine de la pompe. Vérifiez si la boîte d'écumoire est bloquée.

Si la pompe ne fonctionne pas, les conditions suivantes peuvent s'appliquer :

1. L'alimentation n'est pas connectée. Pour 220 à 240 V uniquement, vérifiez le point d'alimentation en y branchant un appareil portatif pour vérifier que l'alimentation électrique est disponible. Vérifiez également les fusibles et l'interrupteur d'alimentation électrique principal.
2. Une protection de surcharge automatique se déclenche suite à une période de surchauffe. La pompe a une protection de surcharge thermique intégrée qui se réenclenche automatiquement après que le moteur a refroidi. Déterminez la cause du déclenchement de surcharge et résolvez le problème.
3. Le blocage empêche la pompe de tourner.
4. Le moteur a brûlé, une odeur de brûlé est évidente. Un remplacement est nécessaire.

Si vous ne parvenez pas à résoudre des difficultés d'installation ou de fonctionnement avec votre pompe de piscine StarFlo de Davey, contactez le fournisseur auprès duquel la pompe a été achetée. Si vous avez besoin d'assistance supplémentaire, contactez le service après-vente de Davey à l'adresse indiquée dans ce manuel.

La répartition, le démontage et la maintenance de l'appareil doivent être effectués par le fabricant ou ses techniciens.

Démontage de la pompe de la tuyauterie

S'il est nécessaire d'enlever la pompe, suivez ces instructions :

1. Mettez la pompe hors tension et débranchez la fiche de la source d'alimentation.



ATTENTION: Si la pompe est raccordée à une horloge ou à une autre contrôleur automatique, le câblage peut avoir besoin d'être enlevé par un électricien qualifié. Si vous avez un doute, contactez votre revendeur ou contactez votre représentant Davey à l'adresse indiquée dans ce manuel.

2. Fermez les robinets d'eau sur la tuyauterie de retour de piscine et d'entrée de pompe.
3. Enlevez les raccords-écrous de refoulement et d'aspiration en veillant à ne pas desserrer les joints toriques.
4. Déplacez la tuyauterie avec les raccords-écrous fixés jusqu'à ce que la pompe puisse être détachée.



REMARQUE : Lorsque vous faites des demandes concernant votre pompe StarFlo, veillez à mentionner le numéro de modèle figurant sur la plaque signalétique située sur le moteur.

Qualité de l'eau

Le maintien d'une chimie de l'eau équilibrée est important pour la durée de vie de votre pompe de piscine. Cette pompe est conçue pour fonctionner avec de l'eau de piscine, équilibrée conformément à l'indice de saturation de Langelier, avec un niveau de pH compris entre 7,2 et 7,8 et régulièrement traitée avec un agent aseptisant chloré dont le niveau ne dépasse pas 3,0 ppm.

EAU DE LA PISCINE ÉQUILIBRE	Chlore libre (ppm)	pH	Total Alcalinité TA (ppm)	Calcium Dureté (ppm)	Stabilisant Acide cyanurique (ppm)	Recommandés Niveaux de sel (ppm)
Idéale lecture / gamme	1,5 - 3	Piscines en béton et carrelées 7,4/-7,6 Autres surfaces 7,2-7,4	80 - 150	Piscines en béton et carrelées 200-275 Autres surfaces 100-225	25-50 ppm (15-25 ppm en cas d'utilisation avec un contrôleur ORP) Ne pas utiliser dans les piscines intérieures.	Selon le modèle (voir page 27)
Pour augmenter	Augmenter la production du désinfectant Ajouter le chlore. Augmenter la durée de filtration.	Ajouter de la soude (carbonate de soude)	Ajouter du bicarbonate de soude	Ajouter le chlorure de calcium	Ajouter l'acide cyanurique	Ajouter le sel
Pour diminuer	Réduire la production du désinfectant Réduire la durée de filtration.	Ajouter l'acide chlorhydrique	Ajouter de l'acide chlorhydrique ou de l'acide sec	Vidanger partiellement et remplir la piscine avec de l'eau d'une dureté inférieure pour diluer	Vidanger partiellement et remplir la piscine pour diluer	Vidanger partiellement et remplir la piscine pour diluer
Fréquence de test	Chaque semaine	Chaque semaine	Chaque semaine	Chaque semaine	Régulièrement	Régulièrement

Consultez votre magasin de piscine local régulièrement pour faire tester votre eau.



LES RACCORDEMENTS D'ALIMENTATION ET LE CÂBLAGE DOIVENT ÊTRE EFFECTUÉS PAR UN ÉLECTRICIEN AGRÉÉ.



AVERTISSEMENT ! L'aspiration de la pompe est dangereuse et peut piéger, noyer ou éviscérer un baigneur. Ne bloquez pas l'aspiration. N'utilisez pas de piscines si un couvercle d'aspiration est cassé, manquant ou desserré. Deux couvercles et entrées d'aspiration doivent être fournis dans chaque pompe afin d'éviter un effet ventouse.



Attention ! N'ajoutez pas de produits chimiques directement dans la boîte d'écumoire. L'ajout de produits chimiques non dilués peut endommager la pompe et le filtre et rendre la garantie caduque.



Tâche de maintenance de routine : pour allonger la durée de vie de votre matériel de piscine et améliorer la sécurité des personnes, servez-vous de cette liste de vérification une fois par semaine. Arrêtez d'abord la pompe.

- a. Vérifiez que les manomètres sont en état de marche et que la pression de fonctionnement est dans les limites spécifiées sur le produit.
- b. Inspectez chaque entrée d'aspiration et vérifiez que chaque drain principal a un couvercle bien fixé et en bon état de marche.
- c. Vérifiez que tous les couvercles d'écumoire sont bien fixés et en bon état de marche. Ils doivent être remplacés tous les 3 à 4 ans.
- d. Enlevez toutes les obstructions et tous les débris qui sont sur le couvercle de drain principal.
- e. Vérifiez que les paniers d'écumoire et les récupérateurs de cheveux et de peluches de la pompe sont exempts de feuilles et de débris au moins une fois par semaine.
- f. Enlevez les obstructions et les combustibles qui sont autour du moteur de pompe.
- g. Vérifiez que toutes les connexions de câblage sont propres et que tous les câbles et équipements électriques sont en bon état. Confiez la réparation ou le remplacement de tout câblage endommagé à un électricien qualifié dès que le dommage est constaté.
- h. Vérifiez l'équilibre de l'eau et les niveaux de stérilisateur auprès de votre magasin de piscine local.
- i. Vérifiez si il y a suffisamment d'espace libre derrière la pompe afin d'assurer un débit d'air suffisant.



DANGER – Aspiration dangereuse. Ne bloquez l'entrée d'eau dans le système de filtration avec aucune partie de votre corps, car la pression peut piéger les cheveux ou les parties du corps, causant des blessures graves ou la mort. Ne bloquez pas l'aspiration. Arrêtez immédiatement la pompe si quelqu'un est piégé.

Garantie de la pompe Davey

Davey Water Products Pty Ltd (Davey) garantit que tous les produits vendus seront (dans des conditions normales d'utilisation et de service) exempts de défauts de matériaux et de fabrication pendant une période minimale d'un (1) an à compter de la date d'achat originale par le client, telle qu'indiquée sur la facture. Pour les périodes de garantie spécifiques de tous les produits Davey, rendez-vous sur daveywater.com.

Cette garantie ne couvre pas l'usure normale ni ne s'applique à un produit qui a :

- fait l'objet d'une mauvaise utilisation, d'un manque d'entretien, de négligence, de dommages ou d'un accident
- été utilisé, exploité ou entretenu autrement que conformément aux instructions de Davey
- n'a pas été installé conformément aux instructions d'installation ou par du personnel dûment qualifié
- été modifié ou altéré par rapport aux spécifications d'origine ou de toute autre manière non approuvée par Davey
- fait l'objet de tentatives de réparations ou de réparations effectuées par une autre personne que Davey ou ses revendeurs agréés
- été soumis à des conditions anormales telles qu'une alimentation électrique incorrecte, la foudre ou des pointes de tension élevées, ou des dommages causés par une action électrolytique, la cavitation, le sable, des liquides corrosifs, salins ou abrasifs,

La garantie Davey ne couvre pas le remplacement des consommables ou les défauts des produits et composants qui ont été fournis à Davey par des tiers (toutefois, Davey fournira une assistance raisonnable pour obtenir le bénéfice de toute garantie de tiers).

Pour faire une réclamation au titre de la garantie :

- Si vous soupçonnez que le produit est défectueux, cessez de l'utiliser et contactez le lieu d'achat d'origine. Vous pouvez également téléphoner au service client de Davey ou envoyer une lettre à Davey en utilisant les coordonnées ci-dessous
- Fournissez un justificatif ou une preuve de la date d'achat initiale
- Sur demande, retournez le produit et/ou fournissez des informations complémentaires concernant la réclamation. Le retour du produit au lieu d'achat est à votre charge et relève de votre responsabilité.
- Davey évaluera la réclamation au titre de la garantie sur la base de ses connaissances du produit et de son jugement raisonnable. Elle sera acceptée si :
 - un défaut important est constaté
 - la réclamation au titre de la garantie est faite pendant la période de garantie concernée ; et
 - aucune des conditions exclues énumérées ci-dessus ne s'applique
- Le client sera informé par écrit de la décision de garantie et, si elle est déclarée invalide, le client devra organiser la collecte du produit à ses frais ou en autoriser la mise au rebut.

Si la réclamation est jugée valide, Davey réparera ou remplacera le produit gratuitement, selon son choix.

La garantie Davey s'ajoute aux droits prévus par les lois locales sur la consommation. Vous avez droit à un remplacement ou à un remboursement en cas de défaillance majeure et à une indemnisation pour toute autre perte ou dommage raisonnablement prévisible. Vous avez également le droit de faire réparer ou remplacer les marchandises si elles ne sont pas d'une qualité acceptable et que la défaillance ne constitue pas un défaut majeur.

Pour tout produit connecté à Internet, le consommateur est responsable de la stabilité de sa connexion Internet. En cas de défaillance du réseau, le consommateur devra régler le problème avec le fournisseur de service. L'utilisation d'une application ne remplace pas la vigilance de l'utilisateur pour s'assurer que le produit fonctionne comme prévu. L'utilisation d'une application Smart Product se fait aux risques et périls de l'utilisateur. Dans toute la mesure permise par la loi, Davey décline toute garantie concernant l'exactitude, l'exhaustivité ou la fiabilité des données de l'application. Davey n'est pas responsable des pertes, dommages ou coûts directs ou indirects pour l'utilisateur résultant de sa dépendance à la connectivité Internet. L'utilisateur garantit Davey contre toute réclamation ou action en justice de sa part ou de la part de tiers se fiant à la connectivité Internet ou aux données de l'application, à cet égard.

Les produits présentés pour réparation peuvent être remplacés par des produits remis à neuf du même type plutôt que réparés. Des pièces remises à neuf peuvent être utilisées pour réparer les produits. La réparation de vos produits peut entraîner la perte de toute donnée générée par l'utilisateur. Veuillez vous assurer que vous avez fait une copie de toutes les données enregistrées sur vos produits.

Dans toute la mesure permise par la loi, Davey ne pourra être tenu responsable de toute perte de profits ou de toute perte consécutive, indirecte ou spéciale, de tout dommage ou toute blessure de quelque nature que ce soit découlant directement ou indirectement des produits Davey. Cette limitation ne s'applique pas à la responsabilité de Davey en cas de non-respect d'une garantie consommateur applicable à votre produit Davey en vertu des lois locales et n'affecte pas les droits ou recours qui peuvent vous être offerts en vertu des lois locales.

Pour obtenir une liste complète des revendeurs Davey, visitez notre site Web (daveywater.com) ou appelez le :

DAVEY

Davey Water Products Pty Ltd
Member of the GUD Group
ABN 18 066 327 517

daveywater.com

AUSTRALIA

Head Office

6 Lakeview Drive,
Scoresby, Australia 3179
Ph: 1300 232 839
Fax: 1300 369 119
Email: sales@davey.com.au

NEW ZEALAND

7 Rockridge Avenue,
Penrose, Auckland 1061
Ph: 0800 654 333
Fax: 0800 654 334
Email: sales@dwp.co.nz

EUROPE

7 rue Eugène Hénaff 69200
Vénissieux, France
Ph: +33 (0) 4 72 13 95 07
Fax: +33 (0) 4 72 33 64 57
Email: info@daveyeurope.eu

NORTH AMERICA

Ph: 1-888-755-8654
Email: info@daveyusa.com

MIDDLE EAST

Ph: +971 50 6368764
Fax: +971 6 5730472
Email: info@daveyuae.com

DAVEY

DAVEY
StarFlo®

Modelli monofase e trifase

Installazione e Istruzioni Operative



ATTENZIONE: La mancata osservanza di queste istruzioni e il mancato rispetto di tutte le norme applicabili può causare gravi lesioni personali e/o danni alla proprietà.

L'installazione di questo prodotto dev'essere effettuata da una persona competente, esperta dei requisiti occorrenti per l'installazione degli impianti idraulici da piscina e nel rispetto delle istruzioni d'installazione fornite da questo manuale.

Installare e sottoporre a manutenzione i prodotti ai sensi della norma EN 60335-2-41 e delle norme locali in caso di utilizzo del prodotto in Europa.

Si prega di fornire queste istruzioni all'operatore di questa

Prima di utilizzare questa pompa, occorre accertarsi dei seguenti elementi:

- La pompa è installata in un ambiente sicuro
- L'alloggiamento della pompa dispone di un drenaggio adeguato in caso di perdite
- La tubazione è correttamente sigillata e supportata
- La pompa è correttamente adescata
- L'alimentazione elettrica è correttamente connessa
- Sono stati rispettati tutti i passaggi per un funzionamento sicuro

I relativi dettagli per tutti questi prodotti sono disponibili nelle seguenti istruzioni di funzionamento e installazione. Leggere queste istruzioni nella loro interezza prima dell'attivazione della pompa. Se non siete certi di una qualsiasi delle istruzioni di funzionamento e di installazione, contattate il vostro rivenditore Davey o l'ufficio preposto come indicato sul retro di questo documento.

Se il cavo di alimentazione è danneggiato, deve essere sostituito dal produttore, dal suo agente di servizio o da persona con analoga qualifica per evitare i rischi.

Pompa per piscina Davey StarFlo

Congratulazioni per l'acquisto di questo prodotto di qualità della gamma di prodotti per piscine di Davey . La nostra pompa per piscina Davey StarFlo potrà garantire molti anni di prestazioni affidabili ed efficienti oltre alla garanzia Davey di due anni.

Il Davey StarFlo è stato progettato per la circolazione dell'acqua in piscine a condizioni stabilite dalla normativa Australiana per la qualità dell'acqua AS 3633 o equivalenti. Il dispositivo non deve essere utilizzato per qualsiasi altro scopo senza prima consultare il vostro rivenditore Davey o il Centro Servizio Cliente di Davey.

Ogni pompa per piscina Davey StarFlo è accuratamente testata per accertare i parametri relativi a pressione, tensione, corrente e prestazione meccaniche. La tecnologia costruttiva avanzata della pompa Davey fornisce prestazioni di pompaggio affidabili ed efficienti durevoli nel tempo.



L'alimentazione alla pompa deve essere fornita attraverso un trasformatore RCD avente una corrente di esercizio che non eccede 30 mA.

TQUESTO DISPOSITIVO PUÒ ESSERE USATO DA BAMBINI DAGLI 8 ANNI IN SU E DA PERSONE CON RIDOTTE CAPACITÀ FISICHE, SENSORIALI O MENTALI O PRIVE DI ESPERIENZA E CONOSCENZE SE SONO STATE LORO FORNITE SUPERVISIONE O ISTRUZIONI IN MERITO ALL'USO DELL'APPARECCHIATURA IN MODO SICURO E TALI DA COMPRENDERE I PERICOLI IMPLICATI. I BAMBINI NON DOVRANNO GIOCARE COL DISPOSITIVO. LA PULIZIA E LA MANUTENZIONE NON DOVRANNO ESSERE REALIZZATE DA BAMBINI SENZA SUPERVISIONE.

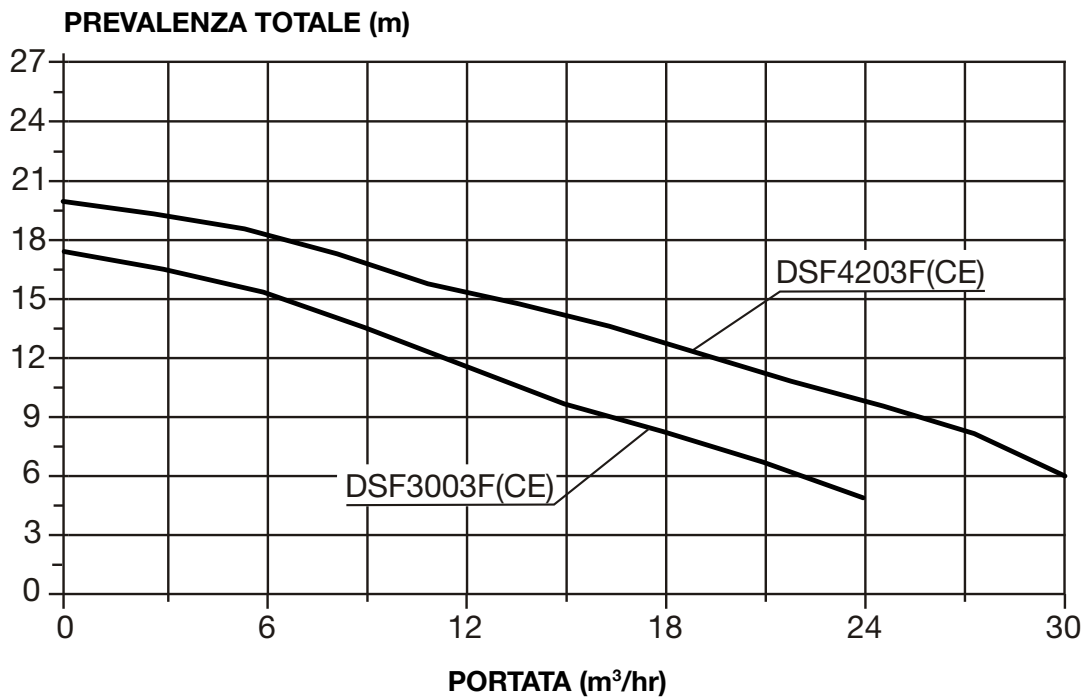
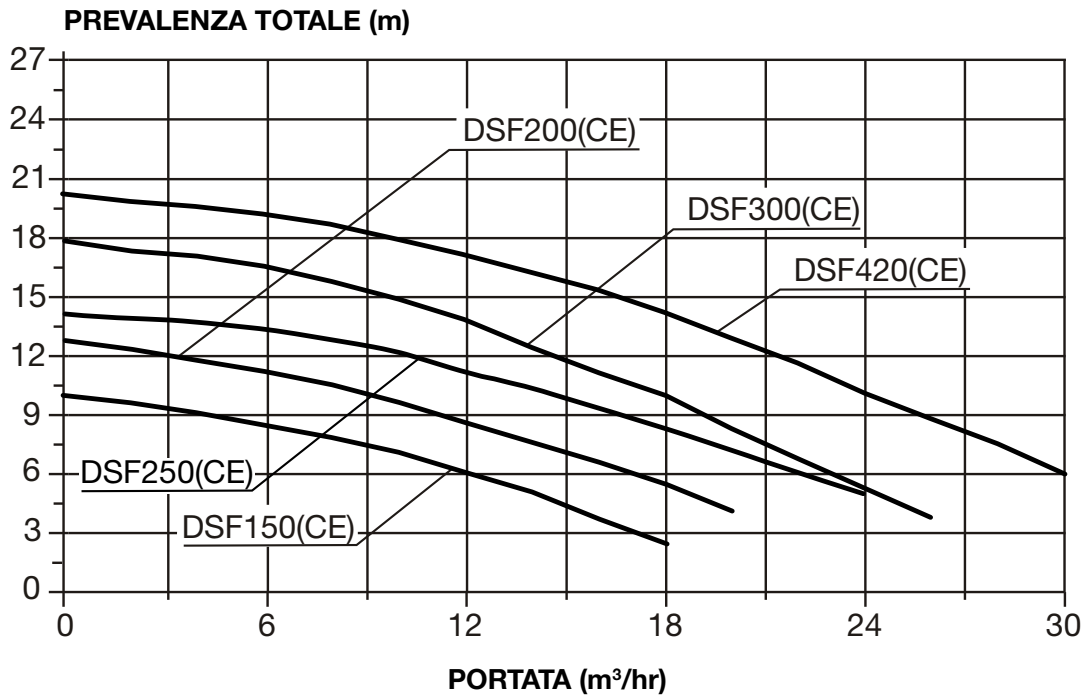
NON SMALTIRE I DISPOSITIVI ELETTRICI TRA I RIFIUTI MUNICIPALI INDIFFERENZIATI MA RIVOLGERSI AGLI IMPIANTI PER LA RACCOLTA DIFFERENZIATA.

CONTATTARE L'AUTORITÀ PREPOSTA PER OTTENERE INFORMAZIONI RELATIVE AI SISTEMI DI RACCOLTA DISPONIBILI.

SE I DISPOSITIVI ELETTRICI VENGONO SMALTITI IN DISCARICHE, EVENTUALI SOSTANZE PERICOLOSE POSSONO PENETRARE NELLE FALDE ACQUIFERE E DIVENTARE PARTE DELLA CATENA ALIMENTARE, DANNEGGIANDO LA SALUTE E IL BENESSERE DI TUTTI.



Pompa per piscina Davey StarFlo – Prestazioni idrauliche:



Model	Q _{MAX}		H _{MAX} (m)	Power (P ₁)		Power (P ₂)		Amps	Net Weight (kg)
	L/min	m³/hr		kW	HP	kW	HP		
DSF150(CE)*	300	18	10	0.55	0.75	0.37	0.5	2.6	12.4
DSF200(CE)	333	20	13	0.75	1.0	0.55	0.75	3.7	13.6
DSF250(CE)	400	24	14	0.87	1.2	0.57	0.78	3.8	14.6
DSF300(CE)	433	26	18	1.1	1.5	0.75	1.0	5.8	15.5
DSF420(CE)	483	30	20	1.65	2.2	1.3	1.7	8.3	17.6
DSF3003F(CE)	383	24	17	1.1	1.5	0.75	1.0	2.0	14.3
DSF4203F(CE)	483	31	20	1.65	2.2	1.3	1.7	3.2	16.5

*Nota: la pompa DSF150CE è autoadescante a 2 m al massimo

Posizione

La pompa deve essere collocata in prossimità dell'acqua e montata su una base solida, in una posizione che permetta un corretto drenaggio e sufficientemente sovrelevata al fine di prevenire qualsiasi allagamento. La responsabilità di collocare la pompa in un luogo idoneo è dell'installatore in modo che la targhetta d'identificazione presente sulla pompa possa essere facilmente letta e la pompa sia facilmente accessibile per effettuare la manutenzione. I due fori sulla base devono essere fissati a terra (in alternativa, questa può essere un tappeto in gomma e/o una struttura di fissaggio) dopo l'installazione della pompa.

Protezione dagli agenti atmosferici

Si raccomanda di posizionare la pompa in un luogo protetto dall'azione degli agenti atmosferici.

Collegamento all'alimentazione



INFORMAZIONI IMPORTANTI: Se è necessaria una struttura di collegamento equipotenziale, allora viene disposto un punto di collegamento equipotenziale. (Fare riferimento alle norme e ai codici di cablaggio locali).

Le pompe da piscina Davey StarFlo DSF150CE, DSF200CE, DSF250CE, DSF300CE e DSF420CE sono idonee per il collegamento a un'alimentazione di corrente nominale di 220-240 volt, 50 Hz, e sono equipaggiate con un cavo flessibile. Se una presa di corrente non è disponibile entro 3 metri di distanza dalla pompa, un punto di collegamento certificato dalle norme di sicurezza deve essere approntato da un elettricista. Le pompe da piscina Davey StarFlo DSF3003FCE e DSF4203FCE sono adatte al collegamento a un'alimentazione nominale da 380 – 415 volt 50Hz e sono dotate di cavo flessibile. Il collegamento elettrico deve essere fornito da un elettricista/compagnia elettrica. Le prolunghe non garantiscono alcuna garanzia di sicurezza e il loro utilizzo intorno alla piscina deve essere evitato. Se il cavo di alimentazione di questo prodotto è danneggiato, deve essere sostituito dal rivenditore o dal distributore con un ricambio originale Davey.



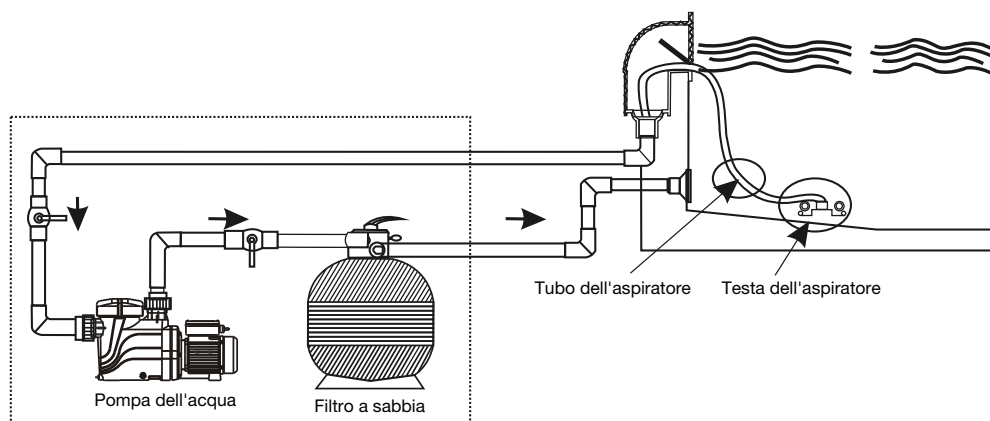
ATTENZIONE: Davey Water Products raccomanda che tutte le installazioni siano dotate di dispositivi di protezione dalla dispersione verso terra o di corrente residua. L'alimentazione di questa pompa deve avvenire tramite un trasformatore di isolamento o RCD, con una corrente di esercizio nominale non superiore a 30 mA. Per motivi di sicurezza, si raccomanda che l'installazione sia conforme alle norme di cablaggio AS3000, o equivalente locale. Assicurarsi che ci sia un interruttore di isolamento elettrico a portata di mano in modo che la pompa possa essere spenta in caso di emergenza.



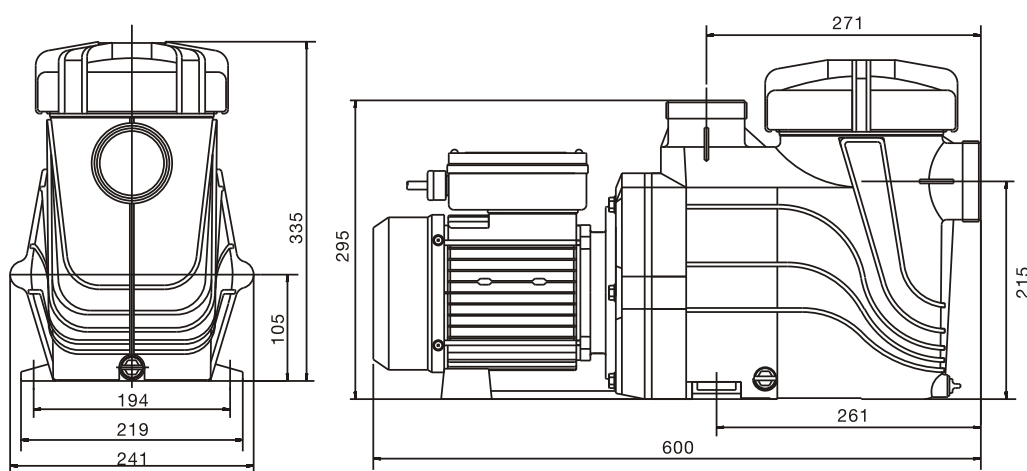
ATTENZIONE: Conformemente alla norma AS/NZS60335.2.41 siamo tenuti a informarvi che questa pompa non deve essere usata da bambini o persone inferme e non deve essere usata come un giocattolo dai bambini. Se la pompa e il filtro si trovano sotto il livello dell'acqua della piscina è necessario installare valvole di intercettazione nel tubo tra la pompa e la scatola del separatore e nel tubo di ritorno dal filtro alla piscina.

IMPORTANTE: I raccordi su questo prodotto sono costruiti in ABS. Alcuni composti per giunzioni in PVC sono incompatibili con l'ABS. Verificare l'idoneità dei composti prima dell'uso.

Schema di installazione tipico



Dimensioni



Collegamento del Tubo

Le pompe per piscina StarFlo sono dotate di bocchettoni per il collegamento alle tubazioni dalla piscina. I seguenti modelli sono progettati per accettare tubi europei in PVC da 50 e 63 mm:

- * DSF150(CE)
- * DSF200(CE)
- * DSF250(CE)
- * DSF300(CE)
- * DSF420(CE)
- * DSF3003F(CE)
- * DSF4203F(CE)

I seguenti modelli sono progettati per accettare tubi nominali in PVC da 40 e 50 mm:

- * DSF150
- * DSF200
- * DSF250
- * DSF300
- * DSF420
- * DSF3003F
- * DSF4203F

L'utilizzo di qualsiasi tubatura di diametro più piccolo rispetto a quello summenzionato non è consigliato. Il tubo di aspirazione deve essere esente da tutte le eventuali perdite d'aria e da gobbe o avvallamenti suscettibili di causare difficoltà nell'aspirazione. La tubazione di scarico dalla mandata della pompa deve essere collegata alla connessione d'ingresso del filtro della piscina (di solito alla valvola di controllo del filtro).



I raccordi del serbatoio necessitano di essere serrati manualmente. Non è richiesto sigillante, colla o silicone.

Avviare la pompa

Per un funzionamento efficiente e per evitare danni alla pompa, è necessario un flusso libero di acqua in entrata e in uscita dalla pompa. Prima di avviarla, assicurarsi che:

- Tutta la tubazione dev'essere adeguatamente sigillata.
 - Il livello d'acqua della piscina deve trovarsi all'altezza corretta.
 - Assicurarsi che tutte le valvole appropriate siano aperte e che nulla ostruisca il flusso d'acqua nel sistema.
1. Se la pompa si trova al di sopra della linea d'acqua della piscina, innescare la pompa rimuovendo il coperchio del cestello filtrante e riempiendo d'acqua l'area del cestello. Riposizionare il coperchio assicurandosi che sia chiuso ermeticamente sull'anello di tenuta.
 2. Collegare l'alimentazione e attivarla.
 3. Lasciar funzionare la pompa in modo che possa espellere l'aria contenuta.
 4. Se l'adescamento non viene stabilito entro circa due minuti, come indicato da un forte flusso d'acqua, **spegnere la pompa e ripetere la procedura**. La presenza continua di aria sotto il coperchio del cestello filtrante indica una perdita d'aria nella tubazione di aspirazione che dev'essere corretta per evitare danni alla pompa.

Funzionamento della pompa

Per prestazioni ottimali, l'alloggiamento del cestello filtrante dev'essere sempre pieno d'acqua e privo di bolle d'aria. Il livello dell'acqua nella piscina dev'essere sempre mantenuto ad almeno metà della scatola dello skimmer, in modo da garantire che sia sempre presente acqua nella pompa. Di volta in volta, può essere necessario riadescare la pompa. Procedere come descritto in precedenza.



Non far funzionare mai la pompa a secco. Il funzionamento di pompa in assenza di acqua può danneggiare le tenute meccaniche, provocando perdite e allagamenti. Eventuali danni causati da funzionamento a secco e i danni associati non sono coperti dalla garanzia. Le pompe per piscine Davey StarFlo integrano una protezione dal sovraccarico termico a ripristino automatico, che permette di ridurre potenziali danni.

Svuotamento del cestello dello skimmer

Il cestello dello skimmer deve essere ispezionato frequentemente attraverso il coperchio trasparente e svuotato quando un deposito di sporcizia è evidente. Seguire le istruzioni riportate qui di seguito.

1. Spegnerla pompa e scollegarla.
2. Chiudere tutte le valvole sulle tubazioni.
3. Svitare il coperchio del cestello dello skimmer in senso antiorario e rimuoverlo.
4. Rimuovere il cestello dello skimmer sollevandolo verso l'alto dal suo alloggiamento.
5. Svuotare i rifiuti intrappolati nel cestello. Pulire con un tubo di gomma se necessario.
6. Controllare che il cestello dello skimmer non presenti crepe, se risulta in buone condizioni riposizionare il cestello all'interno della pompa. La mancata osservanza di una regolare manutenzione può causare danni non coperti dalla garanzia.
7. Riposizionare il coperchio e accertarsi che sia chiuso ermeticamente sull'anello di tenuta di gomma. E' richiesto esclusivamente un saldo serraggio manuale. L'anello di tenuta e la filettatura devono essere lubrificati con argilla semiliquida Hydra o prodotti equivalenti.
8. Aprire tutte le valvole sulle tubazioni.



La mancata osservanza di una regolare manutenzione può causare danni non coperti dalla garanzia.

Ricerca e risoluzione dei guasti

Se la pompa è in funzione ma non è presente alcun flusso d'acqua o il flusso d'acqua è ridotto, la seguente condizione potrebbe essere applicata:

1. Il filtro richiede un controlavaggio oppure è intasato. Fare riferimento alla relativa sezione nel Manuale del Filtro.
2. La pompa non è adescata. Ri-adesca come da istruzione in "Avviamento della pompa"
3. Sono presenti perdite d'aria nella condotta di aspirazione. Controllare tutta la condotta ed eliminare le perdite, inoltre controllare che il coperchio del cestello filtrante non sia allentato. Le bolle d'aria nell'acqua che fluiscono verso la piscina dovrebbero indicare una perdita nell'aspirazione alla pompa che consente all'aria di entrare nella condotta.
4. Una tenuta dell'albero della pompa che perde potrebbe anche impedire il funzionamento. La prova di questo potrebbe essere la presenza di acqua sul terreno sotto la pompa.
5. La pompa non è in grado di prelevare acqua dalla piscina. Controllare che le valvole che arrivano alla pompa siano completamente aperte e che il livello dell'acqua della piscina arrivi fino a metà della scatola dello skimmer.
6. Ostruzione nella tubatura o nella pompa. Rimuovere il cestello filtrante e controllare che non vi sia nessuna ostruzione nell'ingresso del rotore della pompa. Controllare l'eventuale ostruzione della scatola dello skimmer.

Se la pompa non funziona, le seguenti condizioni potrebbero essere applicate:

1. L'alimentazione non è collegata. Esclusivamente per 220-240 volt, controllare il punto di alimentazione mediante il collegamento in un apparecchio portatile per accertarsi che l'alimentazione sia disponibile. Controllare anche i fusibili e l'interruttore principale dell'alimentazione elettrica
2. Una protezione automatica dal sovraccarico scatta in seguito a un periodo di sovraccarico. La pompa ha un sovraccarico termico integrato che eseguirà il reset automaticamente dopo che il motore si è raffreddato. Determinare la causa dello scatto dell'allarme di sovraccarico e rettificare.
3. L'ostruzione impedisce alla pompa di ruotare.
4. Il motore è bruciato, si percepisce un forte odore. È necessaria una sostituzione.

Se non siete in grado di risolvere eventuali problemi di installazione o funzionamento della pompa per piscina Davey StarFlo, consultate il fornitore da cui avete acquistato la pompa. Se avete necessità di ulteriore assistenza, contattare il Centro di assistenza clienti Davey all'indirizzo specificato nel presente manuale.

Le operazioni di riparazione, rimozione e manutenzione del dispositivo devono essere eseguite dal produttore o dal personale professionale dell'agente.

Rimozione della pompa dalla condotta

Dovrebbe essere necessario rimuovere la pompa, seguire le seguenti istruzioni:

1. Spegner l'alimentazione e rimuovere la spina dalla fonte di alimentazione.



ATTENZIONE: Se la pompa è collegata ad un orologio, o ad un altro controllo automatico, il cablaggio deve essere rimosso da un elettricista qualificato. In caso di dubbi, contattare il centro in cui si è acquistato il prodotto, o in caso di ulteriore assistenza, contattare il rappresentante Davey all'indirizzo indicato nel presente manuale.

2. Chiudere le valvole dell'acqua sulla tubazione di ritorno della piscina e sulla tubazione di ingresso della pompa.
3. Rimuovere i raccordi del serbatoio di scarico e aspirazione prestando attenzione a non allentare gli anelli di tenuta.
4. Spostare la tubazione con i raccordi del serbatoio attaccati fino a quando la pompa non può essere rimossa.



NOTA: In caso di domande relative alla pompa per piscina StarFlo, accertarsi di indicare il numero del modello presente sulla targhetta identificativa situata sul motore.

Qualità dell'acqua

Mantenere una chimica dell'acqua bilanciata è importante per il ciclo di vita utile della vostra pompa da piscina. Questa pompa è progettata per l'uso con acqua della piscina, bilanciata conformemente all'Indice di Saturazione di Langlier.

BILANCIAMENTO ACQUA DELLA PISCINA	Cloro libero (ppm)	pH	Alcalinità totale TA (ppm)	Durezza del calcio (ppm)	Stabilizzatore - Acido cianurico (ppm)	Livelli di sale consigliati (ppm)
Valore ideale /intervallo	1,5 - 3	Piscine piastrellate e in calcestruzzo 7,4-7,6 Altre superfici 7,2-7,4	80 - 150	Piscine piastrellate e in calcestruzzo 200-275 Altre superfici 100-225	25-50 ppm (15-25 ppm in caso di utilizzo di un controller ORP) Non per le piscine da interno.	A seconda del modello (vedere pagina 27)
Per aumentare	Aumentare la potenza del cloratore. Aggiungere cloro. Aumentare il tempo di filtrazione.	Aggiungere carbonato di sodio	Aggiungere carbonato di sodio	Aggiungere cloruro di calcio	Aggiungere acido cianurico	Aggiungere sale
Per diminuire	Diminuire la potenza del cloratore. Diminuire il tempo di filtrazione.	Aggiungere acido cloridrico	Aggiungere acido cloridrico o acido secco	Svuotare parzialmente e riempire la piscina con acqua di durezza inferiore per diluire	Svuotare parzialmente e riempire la piscina per diluire	Svuotare parzialmente e riempire la piscina per diluire
Frequenza del test	Ogni settimana	Ogni settimana	Ogni settimana	Ogni settimana	Regolarmente	Regolarmente

Si prega di consultare il vostro negozio di oggetti per piscina affinché la vostra acqua venga testata regolarmente.



I COLLEGAMENTI ALL'ALIMENTAZIONE ELETTRICA E IL CABLAGGIO DEVONO ESSERE REALIZZATI DA UN ELETTRICISTA QUALIFICATO.



ATTENZIONE! L'aspirazione della pompa è pericolosa e può intrappolare e far affogare o provocare gravi lesioni ai bagnanti. Non bloccare la linea d'aspirazione. Non utilizzare la piscina se un coperchio di aspirazione è rotto, non è presente o è allentato. Due coperchi di aspirazione e ingresso devono essere previsti all'interno della pompa per evitare l'intrappolamento.



Attenzione! Non aggiungere sostanze chimiche direttamente nello skimmer della piscina. L'aggiunta di sostanze chimiche non diluite potrebbe danneggiare la pompa e il filtro e rendere nulla la garanzia.



Attività di manutenzione di routine – per massimizzare la durata utile dei dispositivi per la piscina e la sicurezza personale, consultare questa lista di controllo una volta a settimana. Spegnerne per prima cosa la pompa.

- a. Accertarsi che qualsiasi manometro sia in funzione e che la pressione di esercizio sia entro i limiti specificati sul prodotto.
- b. Accertarsi che l'ingresso di aspirazione e lo scarico principale abbiano un coperchio che sia fissato in sicurezza e in condizione operativa sicura.
- c. Accertarsi che tutti i coperchi dello skimmer siano agganciati saldamente e in una condizione operativa sicura. Questi ultimi devono essere sostituiti ogni 3 o 4 anni.
- d. Rimuovere qualsiasi ostruzione o rifiuto dal coperchio di scarico principale.
- e. Accertarsi che i cestelli dello skimmer e i pozzetti per la raccolta di lanugine e capelli siano privi di foglie e rifiuti almeno una volta alla settimana.
- f. Rimuovere le ostruzioni e i combustibili che si trovano intorno al motore della pompa.
- g. Accertarsi che tutti i collegamenti del cablaggio siano puliti e che tutta l'apparecchiatura elettrica e di cablaggio sia in buone condizioni. I cavi danneggiati devono essere riparati o sostituiti da un elettricista qualificato non appena il danno viene rilevato.



PERICOLO - Aspirazione pericolosa. Non bloccare l'ingresso dell'acqua all'interno del sistema di filtrazione con qualsiasi parte del vostro corpo in quanto la pressione potrebbe intrappolare capelli o parti del corpo, causando gravi lesioni o la morte. Non bloccare la linea d'aspirazione. Spegnerne la pompa immediatamente se qualcuno rimane intrappolato.

Garanzia Davey pump

Davey Water Products Pty Ltd (Davey) garantisce che tutti i prodotti venduti saranno (in condizioni di normale utilizzo e servizio) privi di difetti nel materiale e nella lavorazione per un periodo minimo di un (1) anno dalla data di acquisto originale da parte del cliente come contrassegnato in fattura, per periodi di garanzia specifici per tutti i prodotti Davey visitate il sito daveywater.com.

La presente garanzia non copre la normale usura o si applica ad un prodotto che:

- è stato soggetto a uso improprio, negligenza, danni o incidenti
- è stato utilizzato, messo in funzione o sottoposto a manutenzione in modo non conforme alle istruzioni di Davey
- non è stato installato in conformità alle istruzioni di installazione o da personale adeguatamente qualificato
- è stato modificato o alterato rispetto alle specifiche originali o in qualsiasi modo non approvato da Davey
- su cui siano state tentate o effettuate riparazioni da parte di soggetti diversi da Davey o dai suoi concessionari autorizzati
- sia stato soggetto a condizioni anomale, quali un'alimentazione di tensione errata, fulmini o picchi di alta tensione o danni derivanti da azione elettrolitica, cavitazione, sabbia, liquidi corrosivi, salini o abrasivi,

La garanzia Davey non copre la sostituzione di qualsiasi prodotto di consumo o difetti di prodotti e componenti forniti a Davey da terzi (tuttavia Davey fornirà un'assistenza ragionevole per ottenere il beneficio della garanzia di terzi).

Per presentare una richiesta di garanzia:

- Se si sospetta che il prodotto sia difettoso, smettere di utilizzarlo e contattare il punto vendita originale. In alternativa, telefonare al Servizio Clienti Davey o inviare una lettera a Davey, come da recapiti di seguito indicati
- Fornire la prova della data di acquisto originale
- Se richiesto, restituire il prodotto e/o fornire ulteriori informazioni in merito al reclamo. I costi per la restituzione del prodotto al punto vendita sono a vostro carico e sotto la vostra responsabilità.
- La richiesta di garanzia sarà valutata da Davey sulla base della conoscenza del prodotto e del suo ragionevole giudizio e sarà accettata se:
 - si riscontra un difetto rilevante
 - la richiesta di garanzia viene effettuata durante il relativo periodo di garanzia; e
 - non si applica nessuna delle condizioni escluse sopra elencate
- La decisione sulla garanzia viene comunicata per iscritto al cliente e, in caso di invalidità, il cliente deve organizzare il ritiro del prodotto a sue spese o autorizzarne lo smaltimento.

Se il reclamo è ritenuto valido, Davey provvederà, a sua discrezione, a riparare o sostituire gratuitamente il prodotto.

La garanzia Davey si aggiunge ai diritti previsti dal diritto locale dei consumatori. L'utente ha diritto alla sostituzione o al rimborso per un guasto grave e al risarcimento di qualsiasi altra perdita o danno ragionevolmente prevedibile. Avete inoltre diritto di far riparare o sostituire la merce se la merce non è di qualità accettabile e il guasto non costituisce un guasto grave.

Per tutti i prodotti collegati a Internet il consumatore è responsabile di garantire una connessione stabile a Internet. In caso di guasto della rete, il consumatore dovrà affrontare la questione con il fornitore di servizi. L'uso di un'App non sostituisce la vigilanza dell'utente nel garantire che il prodotto funzioni secondo le aspettative. L'uso di una Smart Product App è a rischio e pericolo dell'utente. Nella misura massima consentita dalla legge, Davey declina ogni garanzia per quanto riguarda l'accuratezza, la completezza o l'affidabilità dei dati App. Davey non è responsabile per qualsiasi perdita, danno o costo diretto o indiretto per l'utente derivante dalla sua dipendenza dalla connettività internet.

L'utente solleva Davey da qualsiasi rivendicazione o azione legale da parte sua o di terzi che si affidano alla connettività internet o ai dati delle applicazioni. Anziché essere riparati, i prodotti presentati per la riparazione possono essere sostituiti da prodotti ricondizionati dello stesso tipo.

Per la riparazione dei prodotti possono essere utilizzate parti ricondizionate. La riparazione dei vostri prodotti può comportare la perdita di qualsiasi dato generato dall'utente. Assicuratevi di aver fatto una copia di tutti i dati salvati sui vostri prodotti. Nella misura massima consentita dalla legge o da disposizioni legislative, Davey non è responsabile per qualsiasi perdita di profitto o perdita, danno o lesione di qualsiasi tipo derivanti direttamente o indirettamente dai prodotti Davey. Tale limite non si applica ad alcuna responsabilità di Davey per il mancato rispetto di una garanzia del consumatore applicabile al vostro prodotto Davey secondo le leggi locali e non pregiudica i diritti o i rimedi che possono essere messi a disposizione dell'utente in virtù delle leggi locali.

Un elenco completo dei rivenditori Davey è disponibile sul nostro sito web (daveywater.com) o chiamando:

DAVEY

Davey Water Products Pty Ltd
Member of the GUD Group
ABN 18 066 327 517

daveywater.com

AUSTRALIA

Head Office

6 Lakeview Drive,
Scoresby, Australia 3179
Ph: 1300 232 839
Fax: 1300 369 119
Email: sales@davey.com.au

NEW ZEALAND

7 Rockridge Avenue,
Penrose, Auckland 1061
Ph: 0800 654 333
Fax: 0800 654 334
Email: sales@dwp.co.nz

EUROPE

7 rue Eugène Hénaff 69200
Vénissieux, France
Ph: +33 (0) 4 72 13 95 07
Fax: +33 (0) 4 72 33 64 57
Email: info@daveyurope.eu

NORTH AMERICA

Ph: 1-888-755-8654
Email: info@daveyusa.com

MIDDLE EAST

Ph: +971 50 6368764
Fax: +971 6 5730472
Email: info@daveyuae.com

DAVEY

DAVEY
StarFlo®

Eenfasige en driefasige modellen

Installatie- en gebruiksaanwijzingen



WAARSCHUWING: Niet-naleving van deze instructies en alle toepasselijke codes kan ernstig lichamelijk letsel en/of materiële schade veroorzaken.

De installatie van dit product moet daarom worden uitgevoerd door een persoon die ervaring heeft met de loodgieterijvereisten van zwembaden en die de instructies voor installatie in deze handleiding correct volgt.

Installeer en onderhoudt de producten volgens de EN 60335-2-41 norm en plaatselijke normen als het product in Europa wordt gebruikt.

Geef deze instructies aan de persoon die met de uitrusting werkt.

Voordat u de pomp gebruikt moet u het volgende controleren:

- De pomp is in een veilige omgeving geïnstalleerd
- De pompbehuizing is voorzien van correcte drainering in geval van een lek
- De slangen zijn correct afgedicht en ondersteund
- De pomp heeft correct aangezogen
- De stroomtoevoer is correct aangesloten
- Alle stappen voor veilige werking zijn uitgevoerd

De volgende Installatie en gebruiksinstructies bevatten nuttige informatie over deze items. Lees deze instructies volledig voordat u de pomp inschakelt. Als u twijfelt over een deel van de installatie- en gebruiksinstructies, kunt u contact opnemen met uw Davey dealer of een van de Davey kantoren die vermeld worden op de achterkant van dit document.

Als de stroomkabel beschadigd is, moet dit door de fabrikant, zijn onderhoudsagent of een soortgelijk gekwalificeerde persoon worden vervangen om gevaarlijke situaties te voorkomen.

Uw Davey StarFlo pomp

Gefeliciteerd, u hebt een kwaliteitsproduct gekocht uit het gamma Zwembaduitrustingen van Davey. U bent verzekerd van jaren lange betrouwbare en efficiënte prestaties van uw Davey StarFlo zwembadpomp waarvoor een garantie van twee jaar geldt.

De Davey StarFlo is ontworpen voor de circulatie van zwembadwater onder omstandigheden die zijn opgenomen in de Australian Standard voor zwembadwaterkwaliteit AS 3633 of equivalent. De pomp moet niet worden gebruikt voor andere doeleinden zonder vooraf contact op te nemen met uw Davey dealer of Davey klantencenter.

Elke Davey StarFlo zwembadpomp wordt grondig getest op een aantal flow-, druk-, voltage-, stroom- en mechanische prestatieparameters. De geavanceerde pompvervaardigingstechnologie van Davey biedt een betrouwbare en efficiënte pomp prestatie met een lange levensduur.



Stroomtoevoer naar de pomp moet plaatsvinden via een geïsoleerde transformator of RCD met een correcte differentieelschakelaar van niet meer dan 30mA

DIT APPARAAT KAN GEBRUIKT WORDEN DOOR KINDEREN VAN 8 JAAR EN OUDER EN PERSONEN MET BEPERKTE FYSIEKE, SENSORIËLE OF GEESTELIJKE CAPACITEITEN OF EEN GEBREK AAN ERVARING EN KENNIS ALS ZIJ INSTRUCTIES OVER HET GEBRUIK VAN HET APPARAAT HEBBEN ONTVANGEN VAN EEN PERSOON DIE VERANTWOORDELIJK IS VOOR HUN VEILIGHEID. KINDEREN MOGEN NIET MET HET APPARAAT SPELEN. ZONDER TOEZICHT MOGEN KINDEREN HET APPARAAT NIET REINIGEN OF ONDERHOUDEN.

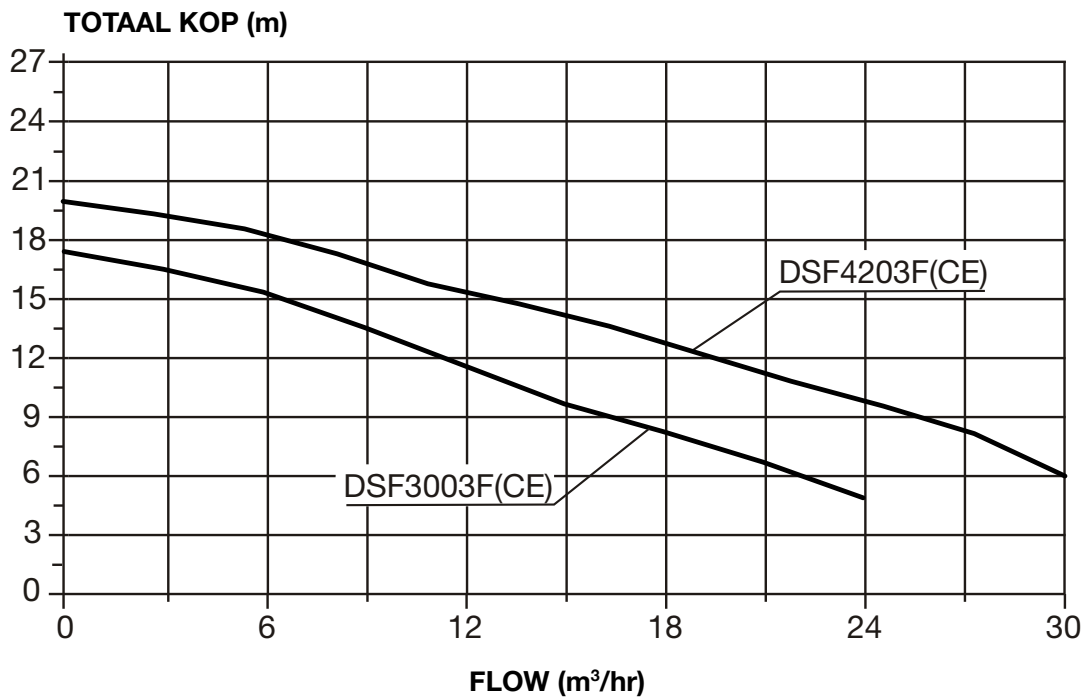
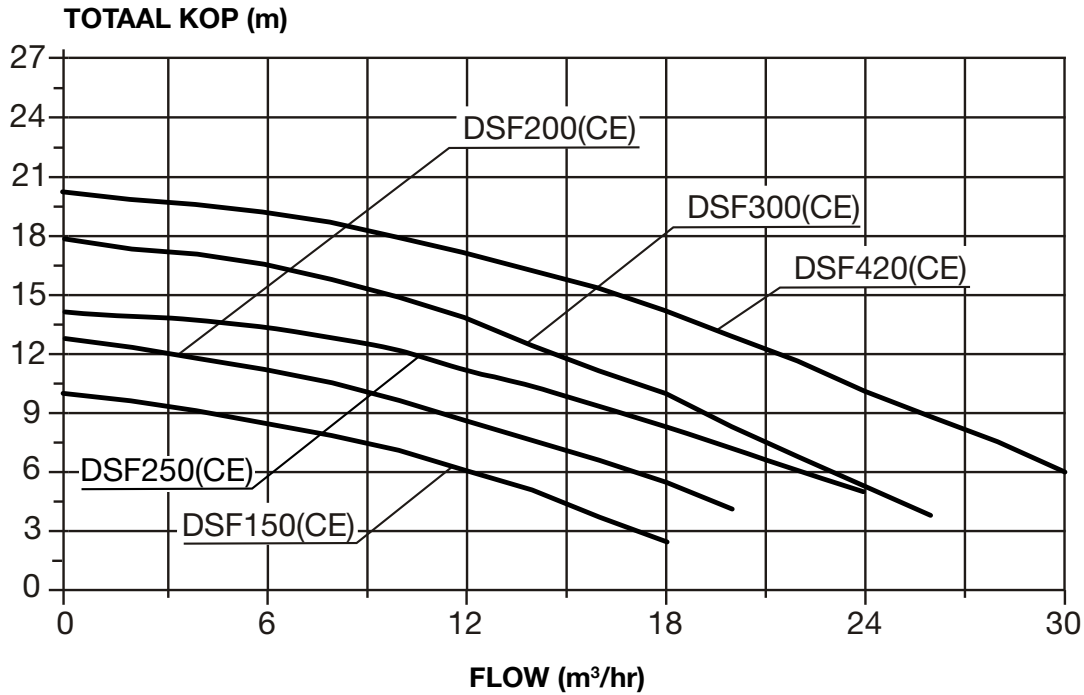
VOER ELEKTRISCHE APPARATEN NIET AF ALS HUISHOUELIJK AFVAL, MAAR GEBRUIK SPECIALE AFVALSORTERINGSVOORZIENINGEN.

NEEM CONTACT OP MET DE PLAATSELIJKE OVERHEIDSINSTANTIES VOOR INFORMATIE OVER DE BESCHIKBARE INZAMELSYSTEMEN.

INDIEN ELEKTRISCHE APPARATEN WORDEN AFGEVOERD VIA OPENBARE STORTPLAATSEN OF DUMPS, KUNNEN ER GEVAARLIJKE STOFFEN LEKKEN DIE IN DE VOEDSELKETEN TERECHT KUNNEN KOMEN EN SCHADE TOE KUNNEN BRENGEN AAN UW GEZONDHEID EN WELZIJN.



Davey StarFlo zwembadpomp – Hydraulische prestatie:



Model	Q _{MAX}		H _{MAX} (m)	Power (P ₁)		Power (P ₂)		Amps	Net Weight (kg)
	L/min	m ³ /hr		kW	HP	kW	HP		
DSF150(CE)*	300	18	10	0.55	0.75	0.37	0.5	2.6	12.4
DSF200(CE)	333	20	13	0.75	1.0	0.55	0.75	3.7	13.6
DSF250(CE)	400	24	14	0.87	1.2	0.57	0.78	3.8	14.6
DSF300(CE)	433	26	18	1.1	1.5	0.75	1.0	5.8	15.5
DSF420(CE)	483	30	20	1.65	2.2	1.3	1.7	8.3	17.6
DSF3003F(CE)	383	24	17	1.1	1.5	0.75	1.0	2.0	14.3
DSF4203F(CE)	483	31	20	1.65	2.2	1.3	1.7	3.2	16.5

*Let op: de DSF150CE-pomp is zelfaanzuigend op maximaal 2 m

Locatie

De pomp moet zo dicht mogelijk bij het water worden geplaatst en gemonteerd worden op een stevige basis op een goed gedraineerde plaats die hoog genoeg is om overstroming te voorkomen. Het is de verantwoordelijkheid van de installateur om de pomp zodanig te plaatsen dat het naamplaatje goed leesbaar is en de pomp goed toegankelijk is voor onderhoud. De twee openingen in de basis worden aan de grond bevestigd. (de basis kan ook voorzien worden van een rubber pad en/of een montageframe na het installeren van de pomp.

Bescherming tegen weersomstandigheden

Wij raden u aan de pomp tegen weersomstandigheden te beschermen.

Elektrische aansluiting



BELANGRIJKE INFORMATIE Als een potentiaalvereffeningsstructuur is vereist, wordt een potentiaalvereffeningpunt voorzien. (zie uw plaatselijke normen en regels inzake bedrading).

Davey StarFlo DSF150CE, DSF200CE, DSF250CE, DSF300CE, DSF420CE is geschikt voor aansluiting op een nominale 220-240 volt 50Hz stroombron en is voorzien van een flex kabel. Als er geen stopcontact aanwezig is binnen 3 meter van de pomp, kan een veilig voedingspunt worden voorzien door een elektricien op een droge, veilige plaats. Verleng snoeren zijn onveilig rond zwembaden en moeten vermeden worden. Als het snoer van dit product beschadigd is, moet het vervangen worden door originele Davey-onderdelen door de dealer of de fabrikant.



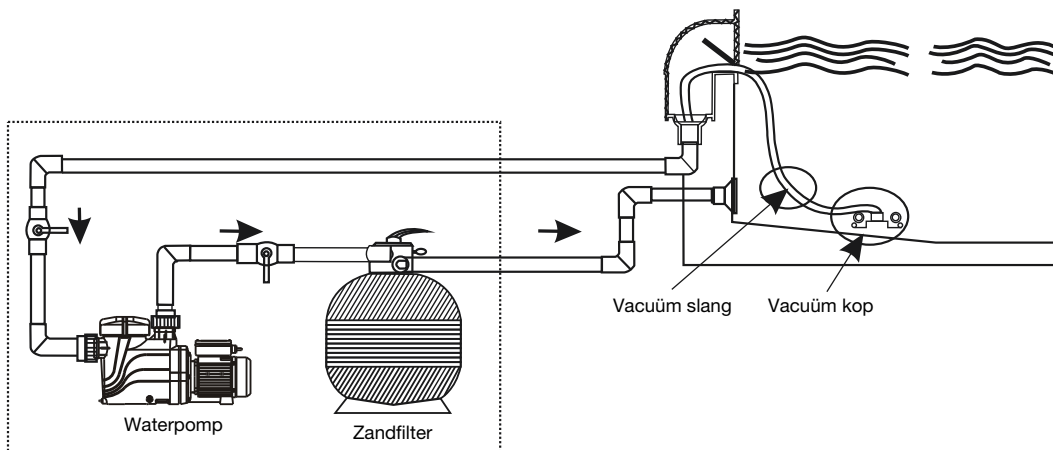
ATTENZIONE: Davey Water Products raccomanda che tutte le installazioni siano dotate di dispositivi di protezione dalla dispersione verso terra o di corrente residua. L'alimentazione di questa pompa deve avvenire tramite un trasformatore di isolamento o RCD, con una corrente di esercizio nominale non superiore a 30 mA. Per motivi di sicurezza, si raccomanda che l'installazione sia conforme alle norme di cablaggio AS3000, o equivalente locale. Assicurarsi che ci sia un interruttore di isolamento elettrico a portata di mano in modo che la pompa possa essere spenta in caso di emergenza.



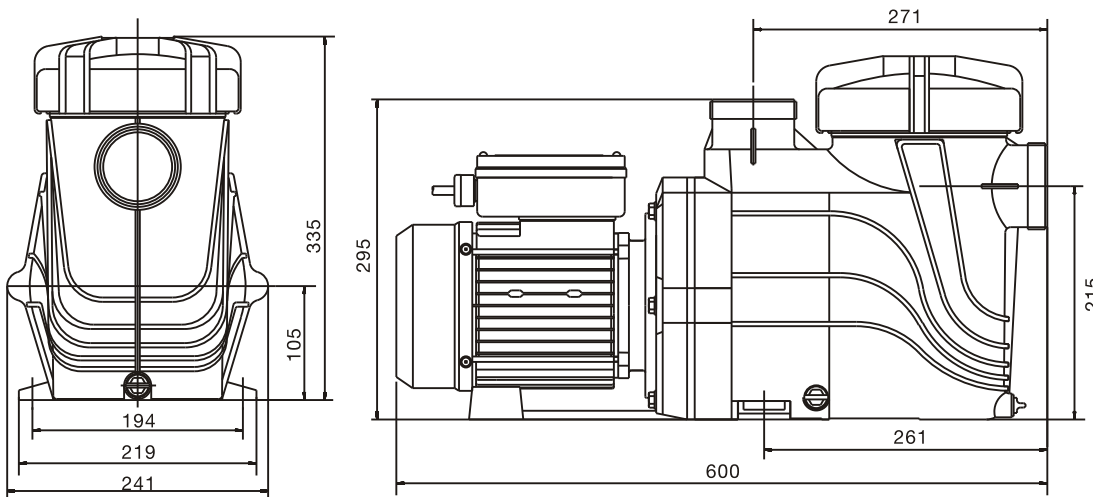
ATTENZIONE: Conformemente alla norma AS/NZS60335.2.41 siamo tenuti a informarvi che questa pompa non deve essere usata da bambini o persone inferme e non deve essere usata come un giocattolo dai bambini. Se la pompa e il filtro si trovano sotto il livello dell'acqua della piscina è necessario installare valvole di intercettazione nel tubo tra la pompa e la scatola del separatore e nel tubo di ritorno dal filtro alla piscina.

IMPORTANTE: I raccordi su questo prodotto sono costruiti in ABS. Alcuni composti per giunzioni in PVC sono incompatibili con l'ABS. Verificare l'idoneità dei composti prima dell'uso.

Typisch installatieschema



Afmetingen



Aansluiting van de slangen

Le pompe per piscina StarFlo sono dotate di bocchettoni per il collegamento alle tubazioni dalla piscina. I seguenti modelli sono progettati per accettare tubi europei in PVC da 50 e 63 mm:

- * DSF150(CE)
- * DSF200(CE)
- * DSF250(CE)
- * DSF300(CE)
- * DSF420(CE)
- * DSF3003F(CE)
- * DSF4203F(CE)

I seguenti modelli sono progettati per accettare tubi nominali in PVC da 40 e 50 mm:

- * DSF150
- * DSF200
- * DSF250
- * DSF300
- * DSF420
- * DSF3003F
- * DSF4203F

Gebruik van slangen die kleiner zijn dan de hierboven vermelde formaten, wordt afgeraden. Afzuigslangen mogen geen luchtlekken, bobbelen en knikken bevatten die problemen bij het afzuigen kunnen veroorzaken. De afvoerslang van de pompoutlet moet aangesloten worden op de inletaansluiting op het zwembadfilter (normaal bij het filtercontroleventiel).



De pijp koppelingen moeten met de hand vast gedraaid worden. Er is geen afsluitmiddel, lijm of siliconen nodig.

Starten van de pomp

Voor een efficiënte werking en om schade aan de pomp te voorkomen, moet het water vrij kunnen circuleren van en naar de pomp. Controleer voor het starten of:

- Alle slangen correct zijn afgedicht.
 - Het zwembadwaterniveau correct is.
 - Zorg dat alle ventielen open staan er dat er niets is dat verhindert dat het water in het systeem circuleert.
1. Als de pomp zich boven de waterlijn bevindt, moet de pomp eerst worden aangezogen door de deksel van het zeefmandje te verwijderen en het zeefmandje met water te vullen. Doe het deksel dicht en controleer of het goed op de o-ring zit.
 2. Sluit de stroom weer aan en schakel de pomp aan.
 3. Laat de pomp draaien zodat alle lucht verwijderd wordt.
 4. Als het aanzuigen niet binnen ongeveer twee minuten gebeurt, wat te zien is aan een sterke waterstroom, **schakelt u de pomp uit en herhaalt u de procedure**. Als er lucht blijft zitten onder het deksel van het zeefmandje, wijst dit op een luchtlek in de aanzuigslangen, dat gerepareerd moet worden om schade aan de pomp te voorkomen.

Werking van de pomp

Voor optimale pompprestaties moet de behuizing van het zeeflandje altijd vol water staan en vrij zijn van luchtbellens. Het waterniveau van de pomp moet altijd gehandhaafd worden op minstens de helft van de skimmerbox om ervoor te zorgen dat er altijd water in de pomp zit. Het kan nodig zijn om van tijd tot tijd de pomp opnieuw aan te laten zuigen. Dit moet uitgevoerd worden zoals hierboven beschreven.



Laat de pomp nooit droog draaien. De pomp laten draaien zonder water kan schade veroorzaken aan de mechanische afdichtingen en lekkage en overstrooming veroorzaken. Schade vanwege droog draaien en geassocieerde schade wordt niet gedekt door de garantie. Davey StarFlo zwembadpompen hebben een ingebouwde zelf resettende thermische overbelasting die het risico op schade beperkt.

Legen van het zeefmandje

Het zeefmandje moet geregeld worden gecontroleerd via het transparante deksel en geleegd worden als er veel vuil in zit. Volg hiervoor de onderstaande instructies.

1. Schakel de pomp uit en trek de stekker uit het stopcontact.
2. Sluit alle ventielen in de slangen.
3. Schroef het deksel van het zeefmandje tegen de klok in los en verwijder het.
4. Verwijder het zeefmandje door het omhoog te trekken.
5. Verwijder het afval uit het mandje. Indien nodig met water uitspoelen.
6. Controleer het zeefmandje op scheuren en plaatst het terug in de pomp als het in goede staat verkeerd. Het niet regelmatig uitvoeren van onderhoud kan schade veroorzaken die niet wordt gedekt door de garantie.
7. Doe het deksel dicht en controleer of het goed op de rubberen o-ring zit. Met de hand stevig aandraaien is voldoende. De o-ring en de draad kunnen gesmeerd worden met Hydra slip of equivalente producten.
8. Open alle ventielen in de slangen.



Het niet regelmatig uitvoeren van onderhoud kan schade veroorzaken die niet wordt gedekt door de garantie.

Problemen oplossen

Als de pomp draait, maar er geen of weinig water stroomt, kan het volgende van toepassing zijn:

1. Het filter vereist backwashing of is verstopt. Zie de relevante sectie in de filterhandleiding
2. U hebt de pomp niet aan laten zuigen. Laat de pomp opnieuw aanzuigen zoals vermeld in 'De pomp starten'
3. Er zitten luchtlekken in de afzuigslangen Controleer alle slangen en repareer lekken, controleer ook of de klep van het zeefmandje niet los zit. Luchtbellen in het water die terugstromen naar het zwembad wijzen op een lek in de afzuiging naar de pomp waardoor er lucht in de slangen komt.
4. Niet functioneren kan ook veroorzaakt worden door een lekkende afsluiting van de pompzuiger. Dit is het geval als er zich water op de grond onder de pomp bevindt.
5. De pomp kan geen water uit het zwembad krijgen. Controleer of de ventielen naar de pomp volledig open zijn en of het zwembadwaterniveau tot halverwege de skimmer staat.
6. Verstopping in de slangen of de pomp. Verwijder het zeefmandje en controleer op verstopping bij de ingang van de pompwaaier. Controleer de skimmer op verstopping.

Als de pomp niet werkt, kan het volgende van toepassing zijn:

1. De stroom is niet aangesloten. Alleen voor -240 volt, controleer het stroompunt door een draagbare applicatie aan te sluiten om na te gaan of er stroom beschikbaar is. Controleer ook de zekeringen en de hoofdschakelaar.
2. De automatische overbelasting wordt geactiveerd na een overhittingsperiode. De pomp heeft een ingebouwde thermische overbelasting die automatisch reset nadat de motor is afgekoeld. Bepaal de oorzaak van de activering van de overbelasting en corrigeer dit.
3. Verstopping verhindert rotatie van de pomp.
4. De motor is verbrandt - u ruikt een duidelijke brandlucht. De motor moet worden vervangen.

Als u problemen ondervindt met de installatie of werking van uw Davey StarFlo pomp, kunt u contact opnemen met de leverancier waarbij u de pomp hebt gekocht. Als meer hulp vereist is, kunt u contact opnemen met de Davey Klantenservice op het adres dat in deze handleiding wordt vermeld.

Reparatie, verwijdering en onderhoud van het apparaat moet worden uitgevoerd door de fabrikant of het professionele personeel van de agent.

De pomp van de slangen afkoppelen

Als u de pomp moet afkoppelen, volgt u de deze instructies:

1. Schakel de stroom uit en trek de stekker uit het contact.



ATTENZIONE: Se la pompa è collegata ad un orologio, o ad un altro controllo automatico, il cablaggio deve essere rimosso da un elettricista qualificato. In caso di dubbi, contattare il centro in cui si è acquistato il prodotto, o in caso di ulteriore assistenza, contattare il rappresentante Davey all'indirizzo indicato nel presente manuale.

2. Sluit de waterventielen op de zwembadretour en de inlet van de pompslangen.
3. Verwijder de koppelingen van de afvoer- en afzuigslangen, let op dat u de o-ringen niet kwijt raakt.
4. Verplaats de slangen met de daaraan bevestigde koppelingen tot de pomp vrij getrokken kan worden.



OPMERKING: Zorg dat u het modelnummer dat te vinden is op het plaatje op de motor, bij de hand hebt als u informatie vraagt over uw StarFlo zwembadpomp.

Waterkwaliteit

Het handhaven van een evenwichtige chemische watersamenstelling is belangrijk voor de levensduur van uw zwembadpomp. Deze pomp is ontworpen voor gebruik met zwembadwater dat uitgebalanceerd is volgens de Langlier.

ZWEMBADWATER BALANS	Vrij chloor (ppm)	pH	Totale Alkaliniteit TA (ppm)	Calcium hardheid (ppm)	Stabilisator - Zoutzuur (ppm)	Aanbevolen zoutgehaltes (ppm)
Ideale lezing/ bereik	1,5 – 3	Beton & betegelde zwembaden 7,4-7,6 Andere oppervlakken 7,2-7,4	80 – 150	Beton & betegelde zwembaden 200 - 275 Andere oppervlakken 100-225	25 - 50 ppm (15 - 25 ppm indien gebruikt met ORP controller) Niet gebruiken in binnenbaden.	Afhankelijk van model (zie pagina 27)
Om te verhogen	Verhoog de output van de sanitiser. Voeg chloor toe. Verhogen filtertijd.	Soda toevoegen (Natrium carbonaat)	Buffer toevoegen (natrium bicarbonaat)	Calciumchloride toevoegen	Zoutzuur toevoegen	Zout toevoegen
Om te verlagen	Verlaag de output van de sanitiser. Verlagen filtertijd.	Toevoegen zoutzuur	Toevoegen Zoutzuur of droogzuur	Gedeeltelijk leeg laten lopen & zwembad weer aanvullen met minder hard water om te verdunnen	Gedeeltelijk leeg laten lopen & zwembad weer aanvullen om te verdunnen	Gedeeltelijk leeg laten lopen & zwembad weer aanvullen om te verdunnen
Frequentie van testen	Wekelijks	Wekelijks	Wekelijks	Wekelijks	Geregeld	Geregeld

Neem contact op met uw plaatselijke zwembadspecialzaak om uw water regelmatig te testen.



ELEKTRISCHE AANSLUITING EN BEDRADING MOETEN WORDEN AANGESLOTEN DOOR EEN ERKENDE ELEKTRICIEN



WAARSCHUWING! Pompzuiging is gevaarlijk en kan leiden tot beknelling, verdrinking of letsel aan de ingewanden van zwemmers. **Blokkeer de afzuiging niet.** Gebruik geen zwembaden als een zuigerafsluiting kapot, is, ontbreekt of los zit. Er moeten bij elke pomp twee zuigerafsluitingen en ingangen verstrekt worden om beknelling in de zuiger te voorkomen.



Let op! Voeg niet rechtstreeks chemische middelen toe aan de skimmer. Het toevoegen van onverdunde chemische stoffen kan de pomp en het filter beschadigen en ongeldigheid van de garantie tot gevolg hebben.



Routine onderhoudstaken - voor een optimale levensduur van uw zwembaduitrusting en uw persoonlijke veiligheid, controleert u elke week deze checklist. Schakel de pomp eerst uit.

- a. Zorg dat drukmeters goed werken en dat de werkingsdruk binnen de grenzen ligt zoals op het product wordt gespecificeerd.
- b. Zorg dat elke afzuigingang en de hoofddrain een deksel hebben die veilig is bevestigd en goed werkt.
- c. Zorg dat alle skimmers voorzien zijn van deksels die goed zijn bevestigd en goed werken. Deze moeten om de 3 tot 4 jaar worden vervangen.
- d. Verwijder verstoppingen of vuil uit het deksel van de hoofddrain.
- e. Controleer minstens een keer per week of het skimmermandje en de pompmand vrij zijn van bladeren en afval.
- f. Verwijder obstructies en brandbaar materiaal rond de pompmotor.
- g. Zorg dat alle bedradingsaansluitingen schoon zijn en dat de bedrading en de elektrische uitrusting in goede staat verkeren. Beschadigde draden moeten gerepareerd of vervangen worden door een gekwalificeerde elektricien zodra de beschadiging wordt ontdekt.
- h. Controleer het waterevenwicht en de gehalten aan desinfectiemiddelen via uw plaatselijke zwembad speciaalzaak.



GEVAAR - Gevaarlijke afzuiging. Blokkeer de wateringang in het filtersysteem niet met een lichaamsdeel, de druk kan haar of lichaamsdelen vastzuigen en ernstig letsel of overlijden tot gevolg hebben. Blokkeer de afzuiging niet. Zet de pomp onmiddellijk uit als er iemand bekneld raakt.

Garantie Davey-pomp

Davey Water Products Pty Ltd (Davey) garandeert dat alle verkochte producten (bij normaal gebruik en onderhoud) vrij zijn van materiaal- en fabricagefouten voor een periode van minimaal één (1) jaar vanaf de datum van de oorspronkelijke aankoop door de klant zoals vermeld op de factuur; bezoek daveywater.com voor de specifieke garantieperioden voor alle Davey-producten.

Deze garantie dekt geen normale slijtage en is niet van toepassing op een product dat:

- het voorwerp is geweest van verkeerd gebruik, verwaarlozing, nalatigheid, al dan niet opzettelijke schade
- is gebruikt, bediend of onderhouden anders dan in overeenstemming met de instructies van Davey
- niet is geïnstalleerd in overeenstemming met de installatie-instructies of door niet gekwalificeerd personeel
- aangepast of gewijzigd is ten opzichte van de oorspronkelijke specificaties of op enigerlei wijze niet is goedgekeurd door Davey
- onderwerp is geweest van reparaties aangevangen of uitgevoerd door anderen dan de vertegenwoordigers van Davey of zijn erkende dealers
- blootgesteld is geweest aan abnormale omstandigheden zoals verkeerde voedingsspanning, bliksem of hoogspanningspieken of schade door elektrolytische werking, cavitatie, zand, corrosieve, zoute of schurende vloeistoffen

De garantie van Davey geldt niet voor de vervanging van verbruiksartikelen of defecten in producten en componenten die aan Davey zijn geleverd door derden (Davey zal echter redelijke bijstand verlenen om gebruik te maken van garanties van derden).

Aanspraak maken op een garantie:

- Als er een vermoeden bestaat dat het product defect is, stop dan met het gebruik ervan en neem contact op met het bedrijf van de oorspronkelijke aankoop. Anders kunt u bellen naar de klantenservice van Davey of een brief naar Davey sturen op het onderstaande adres.
- Lever een bewijs van de datum van oorspronkelijke aankoop
- Retourneer desgevraagd het product en/of geef nadere informatie met betrekking tot de claim. Het retourneren van het product naar de plaats van aankoop is voor uw rekening en valt onder uw verantwoordelijkheid.
- De garantietaal wordt door Davey beoordeeld op basis van productkennis en een redelijk oordeel van Davey en zal worden aanvaard als:
 - er een relevant defect wordt gevonden
 - de garantietaal wordt ingediend tijdens de betreffende garantieperiode; en
 - geen van de hierboven vermelde uitgesloten voorwaarden van toepassing is
- De klant wordt schriftelijk geïnformeerd over de beslissing aangaande de garantie en indien deze ongeldig wordt bevonden, dient de klant het product voor eigen rekening af te halen of toestemming te geven voor de verwijdering ervan.

Indien de klacht gegrond wordt bevonden, zal Davey, naar eigen keuze, het product kosteloos repareren of vervangen.

De garantie van Davey is een aanvulling op de lokale consumentenwetgeving. U heeft recht op vervanging of terugbetaling bij een ernstige storing of vergoeding voor elk ander redelijkerwijs voorzienbaar verlies of schade. U heeft eveneens het recht op reparatie of vervanging van de goederen indien de goederen niet van onaanvaardbare kwaliteit zijn en de storing geen ernstige tekortkoming vormt.

Voor producten met een internetverbinding is de consument verantwoordelijk voor een stabiele internetverbinding. In het geval van een netwerkstoring zal de consument het probleem met zijn serviceprovider oplossen. Het gebruik van een App kan niet in de plaats gesteld worden voor de eigen waakzaamheid van de Gebruiker om ervoor te zorgen dat het product naar verwachting werkt. Het gebruik van een Smart Product-app is op eigen risico van de Gebruiker. Voor zover wettelijk toegestaan, wijst Davey alle garanties af met betrekking tot de nauwkeurigheid, volledigheid of betrouwbaarheid van de App-gegevens. Davey is niet verantwoordelijk voor enig direct(e) of indirect(e) verlies, schade of kosten voor de Gebruiker als gevolg van zijn/haar afhankelijkheid van de internetconnectiviteit. De Gebruiker vrijwaart Davey tegen alle claims of gerechtelijke stappen van hen of anderen die in dit opzicht voortkomen uit de afhankelijkheid van de internetconnectiviteit of App-gegevens.

Producten die ter reparatie worden aangeboden, kunnen worden vervangen door gereviseerde producten van hetzelfde type in plaats van gerepareerde producten. Gereviseerde onderdelen kunnen worden gebruikt om de producten te repareren. De reparatie van uw producten kan resulteren in het verlies van gebruikers' gegenereerde gegevens. Zorg ervoor dat u een kopie hebt gemaakt van deze gegevens die op uw producten zijn opgeslagen.

Voor zover wettelijk of statutair toegestaan, is Davey niet aansprakelijk voor winstderving of enige gevolgschade, indirect of bijzonder verlies, schade of letsel van welke aard ook direct of indirect voortvloeiend uit de producten van Davey. Deze beperking is niet van toepassing op enige aansprakelijkheid van Davey voor het niet naleven van een consumentengarantie die van toepassing is op uw Davey-product onder de lokale wetgeving en heeft geen invloed op eventuele rechten of rechtsmiddelen die u ter beschikking staan onder de lokale wetgeving.

Bezoek voor een volledige lijst van Davey-dealers onze website (daveywater.com) of bel:

DAVEY

Davey Water Products Pty Ltd
Member of the GUD Group
ABN 18 066 327 517

daveywater.com

AUSTRALIA

Head Office

6 Lakeview Drive,
Scoresby, Australia 3179
Ph: 1300 232 839
Fax: 1300 369 119
Email: sales@davey.com.au

NEW ZEALAND

7 Rockridge Avenue,
Penrose, Auckland 1061
Ph: 0800 654 333
Fax: 0800 654 334
Email: sales@dwp.co.nz

EUROPE

7 rue Eugène Hénaff 69200
Vénissieux, France
Ph: +33 (0) 4 72 13 95 07
Fax: +33 (0) 4 72 33 64 57
Email: info@daveyeurope.eu

NORTH AMERICA

Ph: 1-888-755-8654
Email: info@daveyusa.com

MIDDLE EAST

Ph: +971 50 6368764
Fax: +971 6 5730472
Email: info@daveyuae.com

DAVEY

DAVEY
StarFlo®

Modelos monofásicos e trifásicos

Instruções de Instalação e Funcionamento



AVISO: O não cumprimento destas instruções e a não observância de todos os códigos aplicáveis pode causar lesões corporais e/ou danos materiais graves.

A instalação deste produto deve ser levada a cabo por uma pessoa com conhecimento dos requisitos de chumbagem das piscinas que siga as instruções de instalação fornecidas neste manual.

Instale e mantenha os produtos de acordo com a norma EN 60335-2-41 e as normas locais quando o produto for utilizado na Europa.

Por favor, transmita estas instruções ao operador deste equipamento.

Antes de utilizar esta bomba, deve garantir o seguinte:

- A bomba está instalada num ambiente seguro
- O suporte da bomba tem um sistema de drenagem adequado em caso de fuga
- A canalização está corretamente vedada e firmemente apoiada
- Foi deitada água corretamente na bomba
- A fonte de alimentação está corretamente ligada
- Foram tomadas todas as medidas para um funcionamento seguro

Os detalhes apropriados referentes a todos estes itens estão contidos nas instruções de Instalação e Funcionamento que se seguem. Leia-os na íntegra antes de ligar esta bomba. Se não tiver a certeza acerca de qualquer uma destas Instruções de Instalação e Funcionamento, contate o seu Representante Davey ou o escritório Davey correspondente conforme listado no verso deste documento.

Se o cabo de alimentação ficar danificado, deverá ser substituído pelo fabricante, pelo seu agente de reparação ou por pessoas com qualificação semelhante, a fim de se evitarem perigos.

A Sua Bomba para Piscina StarFlo da Davey

Parabéns pela sua compra de um produto de qualidade da gama de equipamento para Piscina da Davey. Ser-lhe-á assegurado um desempenho fiável e eficiente durante vários anos da sua bomba para piscina StarFlo da Davey, reforçado por uma garantia de dois anos da Davey.

A Davey StarFlo foi concebida para fazer circular a água das piscinas nas condições estipuladas na Norma Australiana para a qualidade da água das piscinas AS 3633 ou equivalente. Não deverá utilizá-la para outro fim sem consultar primeiro o seu Representante Davey ou o Centro de Assistência a Clientes da Davey.

Todas as bombas para piscina StarFlo da Davey são testadas exaustivamente sob um conjunto de pressões e de parâmetros de desempenho mecânico, da tensão e da corrente. A avançada tecnologia de fabrico de bombas da Davey proporciona um desempenho fiável, eficiente e de longa duração da bombagem.



O fornecimento energético desta bomba deve ser efetuado por um transformador de isolamento ou RCD, com uma corrente operacional nominal não superior a 30mA.

TESTE APARELHO PODE SER UTILIZADO POR CRIANÇAS COM IDADES A PARTIR DOS 8 ANOS E PESSOAS COM CAPACIDADES FÍSICAS, SENSORIAIS OU MENTAIS REDUZIDAS OU FALTA DE EXPERIÊNCIA E CONHECIMENTO, CASO TENHAM RECEBIDO SUPERVISÃO OU INSTRUÇÕES RELACIONADAS COM A UTILIZAÇÃO SEGURA DESTE APARELHO E COMPREENDAM OS PERIGOS ENVOLVIDOS. AS CRIANÇAS NÃO DEVEM BRINCAR COM O APARELHO. A LIMPEZA E MANUTENÇÃO LEVADAS A CABO PELO UTILIZADOR NÃO DEVEM SER EFETUADAS POR CRIANÇAS SEM SUPERVISÃO.

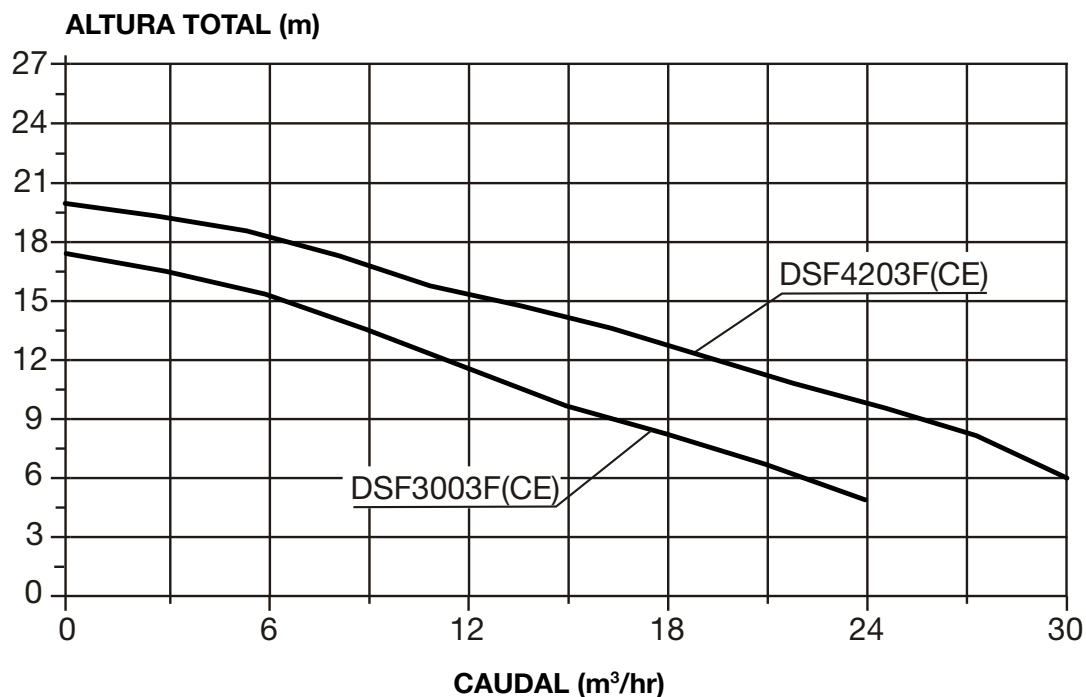
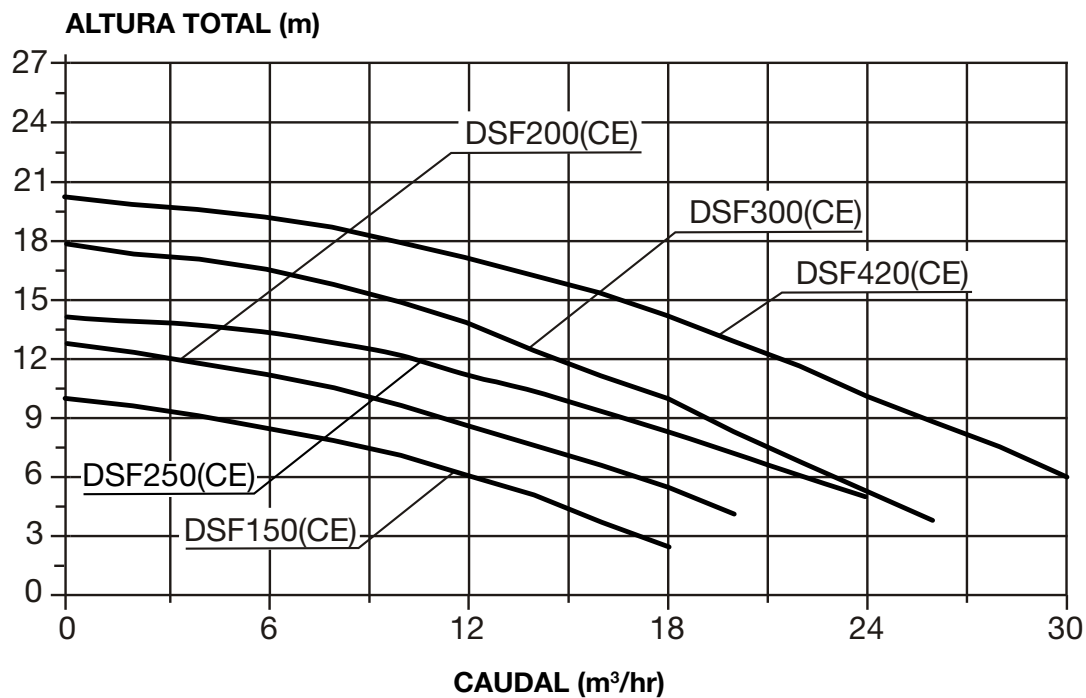
NÃO ELIMINE APARELHOS ELÉTRICOS COMO RESÍDUOS URBANOS NÃO DIFERENCIADOS, UTILIZE CONTENTORES DE RECOLHA DE RESÍDUOS SEPARADOS.

CONTATE AS AUTORIDADES LOCAIS PARA OBTER INFORMAÇÕES SOBRE O SISTEMA DE RECOLHA DISPONÍVEL.

SE OS APARELHOS ELÉTRICOS FOREM ELIMINADOS EM ATERROS OU LIXEIRAS, PODE OCORRER O DERRAME DE SUBSTÂNCIAS PERIGOSAS NOS LENÇÓIS FREÁTICOS, QUE PODEM CONTAMINAR A CADEIA ALIMENTAR, PREJUDICANDO A SUA SAÚDE E BEM-ESTAR.



Bomba para Piscina StarFlo da Davey – Desempenho Hidráulico:



Model	Q _{MAX}		H _{MAX} (m)	Power (P ₁)		Power (P ₂)		Amps	Net Weight (kg)
	L/min	m³/hr		kW	HP	kW	HP		
DSF150(CE)*	300	18	10	0.55	0.75	0.37	0.5	2.6	12.4
DSF200(CE)	333	20	13	0.75	1.0	0.55	0.75	3.7	13.6
DSF250(CE)	400	24	14	0.87	1.2	0.57	0.78	3.8	14.6
DSF300(CE)	433	26	18	1.1	1.5	0.75	1.0	5.8	15.5
DSF420(CE)	483	30	20	1.65	2.2	1.3	1.7	8.3	17.6
DSF3003F(CE)	383	24	17	1.1	1.5	0.75	1.0	2.0	14.3
DSF4203F(CE)	483	31	20	1.65	2.2	1.3	1.7	3.2	16.5

*Por favor, note que: a bomba DSF150CE é autoescorvante a 2m no máximo

Local

A bomba deve ser instalada o mais próximo possível da água e montada sobre uma base firme numa posição bem drenada, suficientemente elevada para impedir uma inundação. É da responsabilidade do instalador localizar a bomba de forma a que a placa identificativa possa ser facilmente lida e prontamente alcançada para fins de assistência. Os dois orifícios da base devem ser fixados no solo (como alternativa, esta operação pode ser executada com uma base em borracha e/ou uma estrutura de montagem) após a instalação da bomba.

Proteção Climática

Recomenda-se que a bomba fique protegida das condições climáticas.

Ligação Elétrica



INFORMAÇÕES IMPORTANTES: Se for necessária uma estrutura de ligação equipotencial, será fornecido uma Tomada de Ligação Equipotencial. (Consulte as normas e regulamentos locais sobre ligações elétricas).

As bombas Davey StarFlo DSF150CE, DSF200CE, DSF250CE, DSF300CE and DSF420CE são adequadas para ligação a uma fonte de alimentação nominal de 220-240 volts e 50Hz e estão equipadas com um cabo flexível. Se não estiver disponível uma tomada elétrica a uma distância de até 3 metros da bomba, terá de ser fornecida uma tomada de ligação num local seguro e seco por um electricista. As bombas para piscina Davey StarFlo DSF3003FCE e DSF4203FCE são adequadas para ligação a uma fonte de alimentação nominal de 380-415 volts e 50Hz e estão equipadas de um cabo flexível. A ligação elétrica tem de ser fornecida por um electricista/prestador de serviços elétricos. Os cabos de extensão à volta da piscina não são seguros – e devem ser evitados. Se o cabo de alimentação deste produto estiver danificado, terá de ser substituído pelo Representante ou distribuidor por peças Davey genuínas.



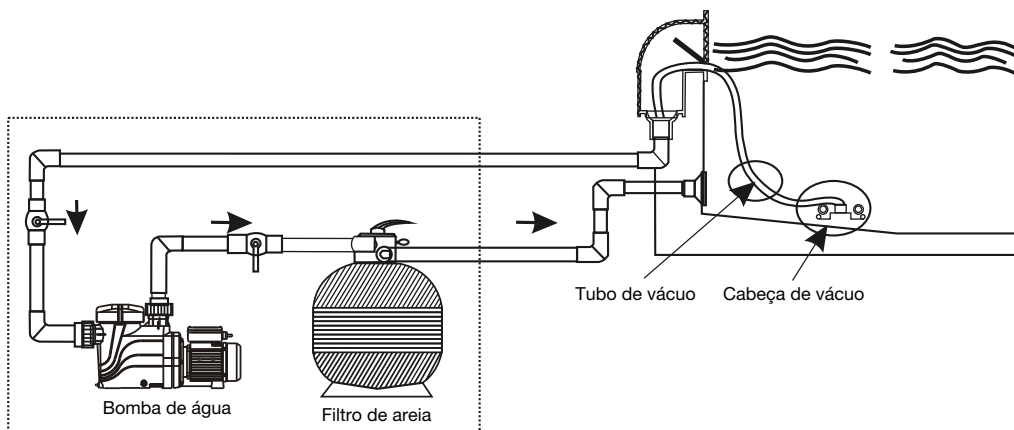
ATENÇÃO: A Davey Water Products recomenda que todas as instalações sejam realizadas com dispositivos com proteção contra fugas de alimentação à terra ou de corrente residual. O fornecimento energético desta bomba deve ser efetuado por um transformador de isolamento ou RCD, com uma corrente operacional nominal não superior a 30mA. No interesse da segurança, aconselhamos que a instalação seja realizada de acordo com as regras de ligação AS3000 ou equivalentes. Certifique-se de que existe um interruptor de isolamento elétrico situado num local de alcance fácil para que a bomba possa ser desligada em caso de emergência.



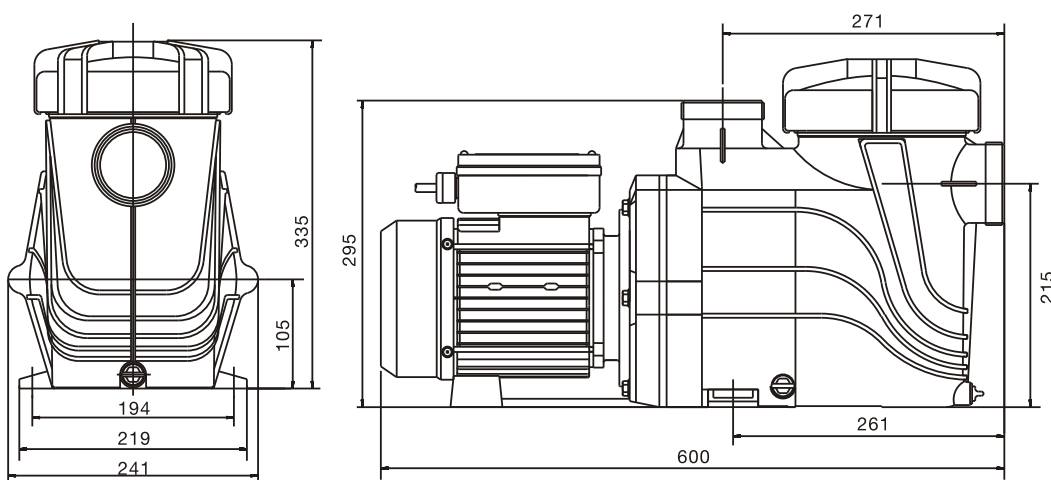
ATENÇÃO: De acordo com a norma AS/NZS 60335.2.41, somos obrigados a informá-lo de que esta bomba não deve ser utilizada por crianças ou pessoas enfermas, nem como um brinquedo para crianças. Se a bomba e o filtro estiverem situados abaixo o nível da água da piscina, é necessário encaixar válvulas isoladoras no tubo entre a bomba e a caixa do skimmer e no tubo de retorno entre a bomba e o filtro.

IMPORTANTE: Os acessórios deste produto são fabricados em ABS. Certos compostos de junção de PVC são incompatíveis com o ABS. Verifique a adequabilidade dos compostos antes da utilização.

Diagrama de instalação típico



Dimensões



Ligação de Conduitas

As bombas para piscina StarFlo são fornecidas com uniões cilíndricas para ligação da tubagem da piscina. Os seguintes modelos foram concebidos para aceitar a tubagem Europeia 50 & 63mm em PVC:

- * DSF150(CE)
- * DSF200(CE)
- * DSF250(CE)
- * DSF300(CE)
- * DSF420(CE)
- * DSF3003F(CE)
- * DSF4203F(CE)

Os seguintes modelos foram concebidos para aceitar uma tubagem de 40mm & 50mm nominal em PVC:

- * DSF150
- * DSF200
- * DSF250
- * DSF300
- * DSF420
- * DSF3003F
- * DSF4203F

Não se recomenda a utilização de qualquer tubo menor do que os especificados acima. A tubagem de sucção deve ficar livre de fugas de ar e altos e cavidades que possam causar dificuldades de sucção. A tubagem de descarga da saída da bomba deve ser ligada à conexão de entrada do filtro da piscina (normalmente, na válvula de controlo do filtro).



Os conetores cilíndricos devem ser apertados manualmente. Não são necessários vedantes, colas ou silicões.

Arranque da Bomba

Para um funcionamento eficaz e para evitar danos na bomba, a água deve fluir livremente da, e para a, bomba. Antes de começar, certifique-se de que:

- Toda a canalização está corretamente selada.
 - O nível da água da piscina se encontra-se na altura correta.
 - Certifique-se de que todas as válvulas adequadas estão abertas e que não existe nada que impeça o fluxo de água através do sistema.
1. Quando a bomba se encontrar acima da linha da água da piscina, prepare primeiro a bomba removendo a tampa do filtro e enchendo a área do cesto do filtro com água. Volte a colocar a tampa, assegurando que fica encaixada de forma estanque no O-ring.
 2. Ligue à fonte de alimentação e acenda o sistema.
 3. Permita que a bomba funcione, para que o ar concentrado no interior seja expelido.
 4. Se a injeção de água não for estabelecida dentro de aproximadamente dois minutos, conforme evidenciado por um forte caudal de água, **desligue a bomba e repita o procedimento**. A presença contínua de ar sob a tampa do filtro indica uma fuga de ar na tubagem de sucção, que deve ser retificada para se evitarem danos na bomba.

Funcionamento da Bomba

Para um desempenho otimizado da bomba, o suporte do cesto do filtro deve estar sempre cheio de água e sem bolhas de ar. O nível de água da piscina deve ser sempre mantido em, pelo menos, metade da caixa do skimmer, para assegurar que existe permanentemente água na bomba. De vez em quando, pode ser necessário deitar de novo água na bomba. Esta operação deve ser efetuada conforme descrito acima.



Nunca ponha a bomba a funcionar sem água. O funcionamento da bomba a seco pode danificar os vedantes mecânicos, causando fuga e inundação. Os danos causados pelo funcionamento a seco e danos associados não estão abrangidos pela garantia. As bombas StarFlo da Davey incorporam uma sobrecarga térmica de auto-reposição, que reduz potenciais danos.

Esvaziar o Cesto do Filtro

O cesto do filtro deve ser inspecionado frequentemente através da tampa transparente e esvaziado quando for evidente uma acumulação de resíduos. As instruções abaixo devem ser seguidas.

1. Desligue a bomba e retire a ficha da tomada.
2. Feche todas as válvulas da canalização.
3. Desaparafuse a tampa do cesto do filtro no sentido contrário ao dos ponteiros do relógio e remova-a.
4. Remova a tampa do cesto do filtro levantando-a e retirando-a do suporte.
5. Esvazie os detritos acumulados no cesto. Lave-os com uma mangueira, se necessário.
6. Verifique se o cesto do filtro tem rachas e volte a colocá-lo na bomba se estiver tudo bem. Qualquer falha de cumprimento da manutenção regular pode causar danos não abrangidos pela garantia.
7. Volte a colocar a tampa e assegure-se de que fica encaixado de forma estanque no O-ring e borracha. É forçoso apertá-la manualmente com firmeza. O O-ring & e o fio podem ser lubrificados com Hydra slip ou produtos equivalentes.
8. Abra todas as válvulas da canalização.



Qualquer falha de cumprimento da manutenção regular pode causar danos não abrangidos pela garantia.

Resolução de Problemas

Se a bomba funcionar, mas não existir caudal de água, ou existir um caudal reduzido, pode aplicar-se a seguinte condição:

1. O filtro requer uma lavagem ou está bloqueado. Consulte a secção relevante do Manual do Filtro.
2. Não foi deitada água na bomba. Deite de novo água na bomba conforme as instruções da secção 'Arranque da bomba'
3. Existem fugas de ar na tubagem de sucção. Verifique todas as tubagens e elimine as fugas, verificando também se existe alguma tampa do cesto do filtro solta. Bolhas de ar no caudal de água que volta para a piscina indicariam uma fuga na sucção para a bomba, permitindo a entrada de ar na canalização.
4. Uma fuga no vedante do eixo da bomba também pode impedir a operação. Uma evidência desta situação seria água no chão debaixo da bomba.
5. A bomba não consegue extrair água da piscina. Verifique se as válvulas até à bomba estão totalmente abertas e se o nível da água da piscina está a meia altura da caixa do skimmer.
6. Bloqueio na tubagem ou na bomba. Remova o cesto do filtro e verifique se existe algum bloqueio na entrada da turbina da bomba. Verifique se existe algum bloqueio na caixa do skimmer.

Se a bomba não funcionar, podem aplicar-se as seguintes condições:

1. A alimentação não está ligada. Apenas para 220-240 volts, verifique a tomada de corrente ligando um aparelho portátil, para garantir que a alimentação está disponível. Verifique também os fusíveis e o interruptor da fonte de alimentação principal
2. A sobrecarga automática dispara a seguir a um período de sobreaquecimento. A bomba tem uma sobrecarga térmica incorporada que se redefine depois de o motor arrefecer. Determine a causa do disparo da sobrecarga e retifique.
3. Um bloqueio está a impedir a bomba de rodar.
4. O motor queimou – é evidente o cheiro a queimado. É necessária a sua substituição.

Se não conseguir resolver nenhuma dificuldade de instalação ou funcionamento da sua bomba para piscina StarFlo da Davey, contate o fornecedor a quem comprou a bomba. Se for necessária mais assistência, contate o Centro de Assistência a Clientes Davey para a morada indicada neste manual.

A reparação, remoção e manutenção do aparelho devem ser efetuadas pelo fabricante ou o pessoal técnico do agente.

Remoção da Bomba da Canalização

Caso seja necessário remover a bomba, siga estas instruções:

1. Desligue a alimentação e retire a ficha da tomada elétrica.



ATENÇÃO: Se a bomba for ligada a um temporizador, ou a outro controlo automático, a cablagem pode ter de ser removida por um prestador de serviços elétricos qualificado. Se não tiver a certeza, contacte o local onde comprou o produto ou, se for necessária assistência posterior, contacte o seu representante Davey através do endereço indicado neste manual.

2. Feche as válvulas de água da via de retorno à piscina e a canalização de entrada da piscina.
3. Remova os conetores cilíndricos de descarga e sucção, tendo o cuidado de não perder os O-rings.
4. Mova a canalização com os conetores cilíndricos ligados até a bomba poder ser puxada sem esforço.



NOTA: Quando colocar as suas dúvidas acerca da sua bomba para piscina StarFlo, não se esqueça de indicar o número do modelo que consta na placa identificativa localizada no motor.

Qualidade da Água

Manter uma química equilibrada da água é importante para a vida da sua bomba de piscina. Esta bomba foi concebida para ser utilizada com água da Piscina, equilibrada de acordo com o Índice de Saturação Langlier.

EQUILÍBRIO DA ÁGUA DA PISCINA	Cloro Livre (ppm)	pH	Alcalinidade Total AT (ppm)	Dureza do Cálcio (ppm)	Estabilizador - Ácido Cianúrico (ppm)	Níveis de sal recomendados (ppm)
Leitura /limite ideal	1,5 – 3	Piscinas em Betão & mosaicos 7,4-7,6 Outras superfícies 7,2-7,4	80 – 150	Betão & mosaicos 200-275 Outras superfícies 100-225	25-50ppm (15-25ppm, se utilizado com um controlador de ORP) Não deve ser utilizado em piscinas interiores.	Depende do modelo (consulte a página 27)
Para aumentar	Aumentar a saída do desinfetante. Adicionar cloro. Aumentar o tempo de filtragem.	Adicionar Carbonato de Sódio	Adicionar Neutralizante (Bicarbonato de Sódio)	Adicionar Cloreto de Cálcio	Adicionar Ácido Cianúrico	Adicionar Sal
Para reduzir	reduzir a saída de desinfetante. Reduzir o tempo de filtragem.	Adicionar Ácido Hidroclorídrico	Adicionar Ácido Hidroclorídrico ou Cianúrico Seco	Drenar parcialmente e encher de novo a piscina com água menos dura para Diluir	Drenar parcialmente e encher de novo a piscina	Drenar parcialmente e encher de novo a piscina
Frequências dos testes	Semanal	Semanal	Semanal	Semanal	Regularmente	Regularmente

Consulte regularmente a sua loja local de produtos para piscina para que a sua água seja testada.



AS LIGAÇÕES ELÉTRICAS E A CABLAGEM DEVEM SER LEVADAS A CABO POR UM ELETRICISTA AUTORIZADO.



AVISO! A sucção da bomba é perigosa e pode prender e afogar ou eviscerar os banhistas. Não bloqueie a sucção. Não use nem trabalhe em piscinas se a tampa de sucção estiver quebrada, solta ou em falta. Têm de ser fornecidas duas coberturas e entradas de sucção para cada bomba, para se evitar o apresamento por sucção.



Precaução! Não adicione químicos diretamente ao skimmer da piscina. A adição de químicos não diluídos pode danificar a bomba e o filtro e anular a garantia.



Tarefas de Manutenção rotineiras – a fim de maximizar a vida do seu equipamento para piscina & a segurança pessoal, utilize a lista de verificação uma vez por semana. Primeiro, desligue a bomba.

- a. Certifique-se de que os manómetros estão a funcionar devidamente e que a pressão operacional se encontra dentro dos limites conforme especificados no produto.
- b. Certifique-se de que cada entrada de sucção e o dreno principal tem uma cobertura que está firmemente ligada e em condições de funcionamento seguras.
- c. Certifique-se de que todas as coberturas dos skimmers estão firmemente ligadas e em condições de funcionamento seguras. Estas devem ser substituídas de 3 em 3 ou de 4 em 4 anos.
- d. Remova quaisquer obstruções ou detritos da cobertura do dreno principal.
- e. Certifique-se de que os cestos dos skimmers e os recipientes para cabelos e lixo da bomba estão livres de folhas e detritos, pelo menos, uma vez por semana.
- f. Remova quaisquer obstruções e materiais combustíveis que possam existir em redor do motor da bomba.
- g. Certifique-se de que todas as ligações elétricas estão limpas e que todos os cabos e equipamentos elétricos estão em boas condições. As ligações danificadas devem ser reparadas ou substituídas por um electricista credenciado logo que os danos sejam detetados.
- h. Verifique o equilíbrio da água e os níveis do desinfetante na sua loja local de produtos para piscina.
- i. Verifique se existe um fluxo de ar suficiente atrás da bomba – folga.



PERIGO – Sucção perigosa. Não bloqueie a entrada de água no sistema de filtragem em nenhuma parte do corpo, já que a pressão pode prender cabelos ou outras partes do corpo, podendo causar ferimentos graves ou a morte. Não bloqueie a sucção. Desligue imediatamente a bomba se alguém ficar preso.

Garantia de bomba Davey

A Davey Water Products Pty Ltd (Davey) garante que todos os produtos vendidos estarão (sob uso e serviço normais) livres de defeitos em material e mão de obra por um período mínimo de um (1) ano a partir da data da compra original pelo cliente como marcado na fatura, para períodos de garantia específicos para todos os produtos Davey visite daveywater.com.

Esta garantia não cobre o desgaste normal ou aplica-se a um produto que:

- tenha sido sujeito a uso indevido, negligência, dano ou acidente
- tenha sido utilizado, operado ou mantido indevidamente de acordo com as instruções do Davey
- não tenha sido instalado de acordo com as instruções de instalação ou por pessoal devidamente qualificado
- tenha sido modificado ou alterado a partir de especificações originais ou de qualquer forma não aprovada por Davey
- tenha tido reparações tentadas ou feitas por outros que não Davey ou os seus revendedores autorizados
- sido sujeita a condições anormais, tais como alimentação de tensão incorreta, picos resultantes de relâmpago ou de alta tensão, ou danos de ação eletrolítica, cavitação, areia, líquidos corrosivos, salinos ou abrasivos,

A garantia Davey não cobre a substituição de quaisquer consumíveis de produto ou defeitos em produtos e componentes que tenham sido fornecidos a Davey por terceiros (no entanto Davey fornecerá assistência razoável para obter o benefício de qualquer garantia de terceiros).

Para fazer uma reclamação de garantia:

- Se o produto for suspeito de ser defeituoso, pare de usá-lo e entre em contato com o local de compra original. Alternativamente, telefone ao Serviço de Clientes da Davey ou envie uma carta para Davey de acordo com os detalhes de contacto abaixo
- Forneça prova ou comprovativo de data de compra original
- Se solicitado, devolva o produto e/ou forneça mais informações em relação à reclamação. Devolver o produto ao lugar da compra é a suas custas e é da sua responsabilidade.
- O pedido de garantia será avaliado por Davey com base no seu conhecimento do produto e julgamento razoável e será aceite se:
 - for encontrado um defeito relevante
 - o pedido de garantia é efetuado durante o período de garantia pertinente; e
 - nenhuma das condições excluídas acima indicadas aplica-se
- O cliente será notificado da decisão de garantia por escrito e se for considerada inválida, o cliente deve organizar a recolha do produto à sua custa ou autorizar a sua eliminação.

Se a reclamação for considerada válida, o Davey irá, a seu pedido, reparar ou substituir o produto de forma gratuita.

A garantia de Davey adiciona-se aos direitos fornecidos pela lei do consumidor local. Tem direito a uma substituição ou reembolso por uma grande falha e compensação por qualquer outra perda ou dano razoavelmente previsível. Você também tem o direito de ter as mercadorias reparadas ou substituídas se as mesmas não forem de qualidade aceitável e a falha não for uma falha importante.

Para qualquer produto conectado à Internet, o consumidor é responsável por garantir uma conexão de Internet estável. Em caso de uma falha de rede, o consumidor terá de abordar a sua preocupação com o prestador de serviços. O uso de uma Aplicação não é um substituto para a vigilância do próprio utilizador em garantir que o produto está a funcionar conforme esperado. O uso de uma Aplicação de Produto Inteligente é da inteira responsabilidade do Utilizador. Na máxima extensão permitida pela lei, a Davey rejeita quaisquer garantias relativas à exatidão, plenitude ou fiabilidade dos dados da aplicação. A Davey não é responsável por qualquer perda, dano ou custo direto ou indireto do Utilizador decorrente da sua confiança na conectividade da Internet. O Utilizador indemnizará Davey por quaisquer reivindicações ou ações legais suas ou de outros baseadas na conectividade da Internet ou em dados que a Aplicação pode trazer a este respeito.

Os produtos apresentados para reparação podem ser substituídos por produtos renovados do mesmo tipo, em vez de serem reparados. As peças recondicionadas podem ser usadas para reparar os produtos. A reparação dos seus produtos pode resultar na perda de quaisquer dados gerados. Certifique-se de que fez uma cópia de quaisquer dados guardados nos seus produtos.

Na máxima extensão permitida por lei ou estatuto, Davey não será responsável por qualquer perda de lucros ou qualquer consequente, perdas, danos ou ferimentos indiretos ou especiais de qualquer natureza resultantes direta ou indiretamente dos produtos Davey. Esta limitação não se aplica a qualquer responsabilidade da Davey por incumprimento de uma garantia de consumo aplicável ao seu produto Davey sob as leis locais e não afeta quaisquer direitos ou remédios que possam estar disponíveis para si sob as leis locais.

Para uma lista completa de Davey Dealers visite o nosso site (daveywater.com) ou ligue para:

DAVEY

Davey Water Products Pty Ltd
Member of the GUD Group
ABN 18 066 327 517

daveywater.com

AUSTRALIA

Head Office

6 Lakeview Drive,
Scoresby, Australia 3179
Ph: 1300 232 839
Fax: 1300 369 119
Email: sales@davey.com.au

NEW ZEALAND

7 Rockridge Avenue,
Penrose, Auckland 1061
Ph: 0800 654 333
Fax: 0800 654 334
Email: sales@dwp.co.nz

EUROPE

7 rue Eugène Hénaff 69200
Vénissieux, France
Ph: +33 (0) 4 72 13 95 07
Fax: +33 (0) 4 72 33 64 57
Email: info@daveyeurope.eu

NORTH AMERICA

Ph: 1-888-755-8654
Email: info@daveyusa.com

MIDDLE EAST

Ph: +971 50 6368764
Fax: +971 6 5730472
Email: info@daveyuae.com

DAVEY

DAVEY StarFlo™ SF

Installation and Operating Instructions



WARNING: Failure to follow these instructions and comply with all applicable codes may cause serious bodily injury and/or property damage.

The installation of this product should be carried out by a person knowledgeable in swimming pool plumbing requirements following the installation instructions provided in this manual.

Please pass these instructions on to the operator of this equipment.

Prior to using this pump you must ensure that:

- The pump is installed in a safe environment
- The pump enclosure has adequate drainage in the event of leakage
- The pipe-work is correctly sealed and supported
- The pump is primed correctly
- The power supply is correctly connected
- All steps have been taken for safe operation

Appropriate details for all of these items are contained in the following Installation and Operating Instructions. Read these in their entirety before switching on this pump. If you are uncertain as to any of these Installation and Operating Instructions please contact your Davey dealer or the appropriate Davey office as listed on the back of this document.

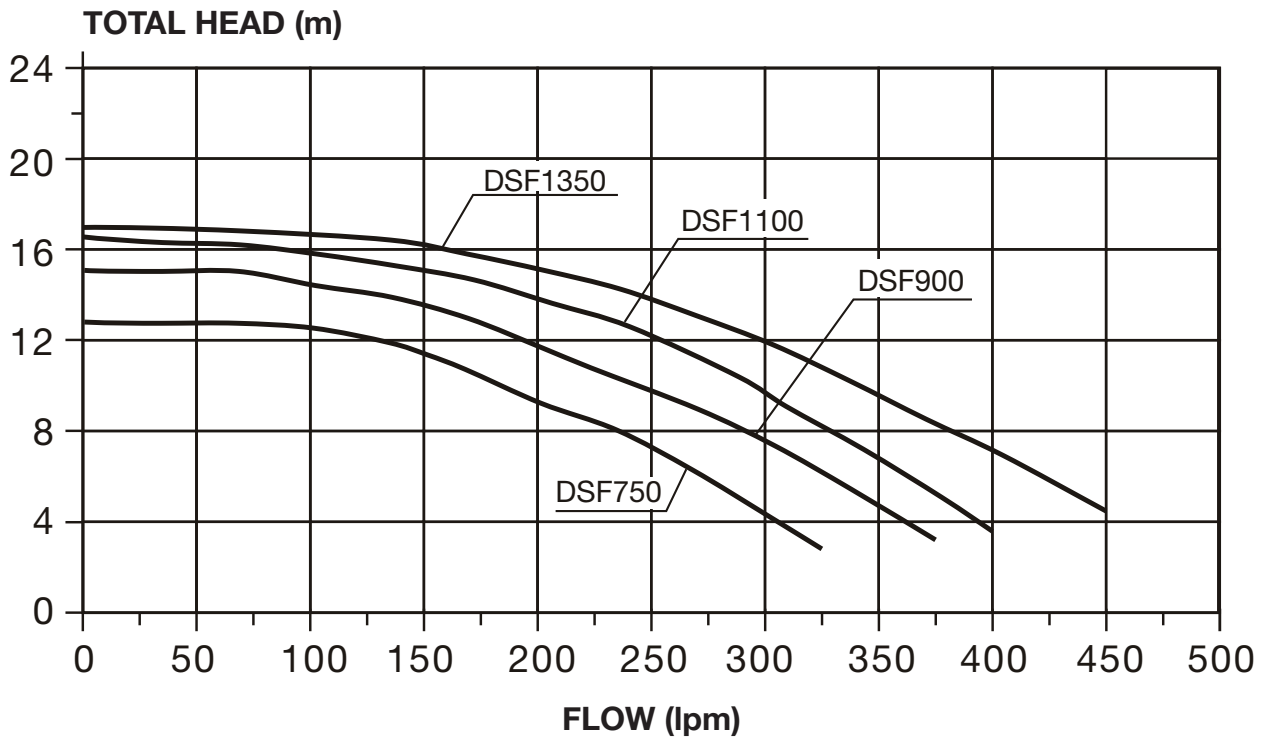
Your Davey StarFlo SF Pool Pump

Congratulations on your purchase of a quality product from the Davey range of Pool equipment. You are assured of many years of reliable and efficient performance from your Davey StarFlo SF pool pump backed by Davey's three year guarantee.

The Davey StarFlo SF pool pump has been designed to circulate swimming pool water in conditions set out in the Australian Standard for swimming pool water quality (AS 3633) or equivalent. They should not be used for any other purpose without first consulting your Davey Dealer or the Davey Customer Service Centre.

Every Davey StarFlo SF pool pump is thoroughly tested against a number of pressures, voltage, current and mechanical performance parameters. Davey's advanced pump manufacturing technology provides reliable and efficient pumping performance that lasts and lasts.

Davey StarFlo SF Pool Pump – Hydraulic Performance:



Model	Q _{MAX} (L/min)	H _{MAX} (m)	Power (P ₁)		Power (P ₂)		Amps	Net Weight (kg)
			kW	HP	kW	HP		
DSF750	325	12.5	0.75	1.0	0.55	0.75	3.8	10.0
DSF900	370	15.0	0.9	1.2	0.65	0.85	4.6	10.5
DSF1100	390	16.5	1.1	1.5	0.75	1.0	5.8	11.5
DSF1350	445	17.0	1.35	1.8	1.0	1.35	6.2	12.0

Location

The pump should be located as close to the water as practicable and mounted on a firm base in a well-drained position, high enough to prevent any flooding. It is the installer's responsibility to locate the pump such that the nameplate can be easily read and it can be readily accessed for service. The four holes in the base shall be fixed on the ground (alternatively, this can be with a rubber pad and/or mounting frame) after installing the pump.

Weather Protection

It is recommended that the pump is protected from the weather.

Power Connection



IMPORTANT INFORMATION: Your Davey pump is Double Insulated to Water Circuit. If equipotential bonding structure is required, then a Equipotential Bonding Point is provided. (Please refer to your local statutes and regulations for AS/NZ 3000 Wiring standards).

Davey StarFlo SF pool pumps are suitable for connection to a nominal 220-240 volt 50Hz power supply and are equipped with a flex lead and 3 pin plug. If a power outlet is not available within 3 metres of the pump, a 3 pin power point in a safe, dry place may need to be provided by an electrician. Extension cords are unsafe around pools – and should be avoided. If the supply cord of this product is damaged it must be replaced by the Dealer or manufacturer, with genuine Davey spares.



Davey Water Products recommends that all installations are fitted with earth leakage or residual current protection devices.



CAUTION: In the interest of safety, we advise that all brands and types of pool pumps must be installed in accordance with AS3000 wiring rules or equivalent.



In accordance with AS/NZS 60335.2.41 we are obliged to inform you that this pump is not to be used by children or infirm persons and must not be used as a toy by children.



Power supply to this pump needs to be through an isolating transformer or RCD, having a rated operating current not exceeding 30mA.



If the pump and filter are located below pool water level, it is necessary to fit isolating valves in the pipe between the pump and the skimmer box and in the return pipe between the pump and the filter.

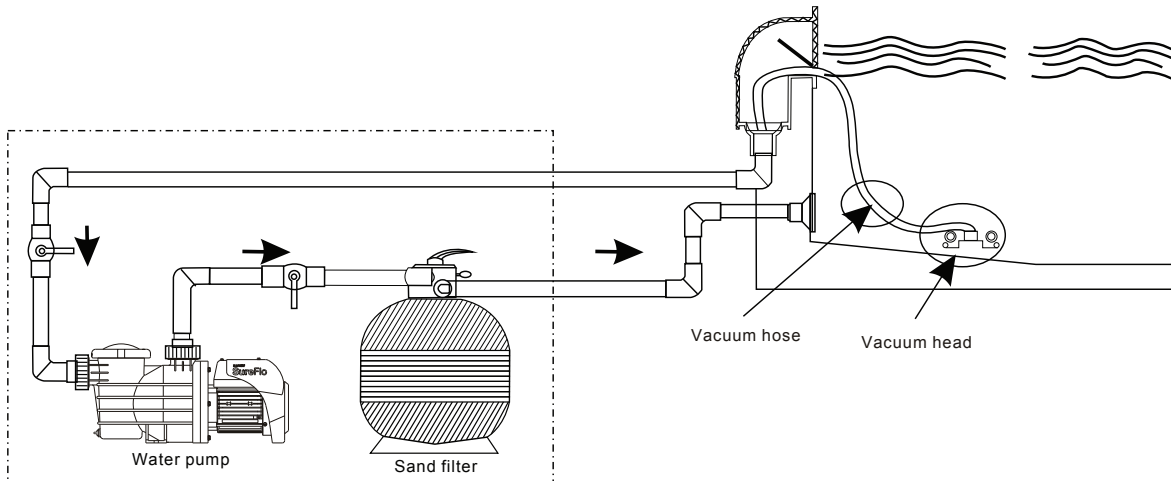


The fittings on this product are constructed of ABS. Some PVC jointing compounds are incompatible with ABS. Check compound suitability before use.



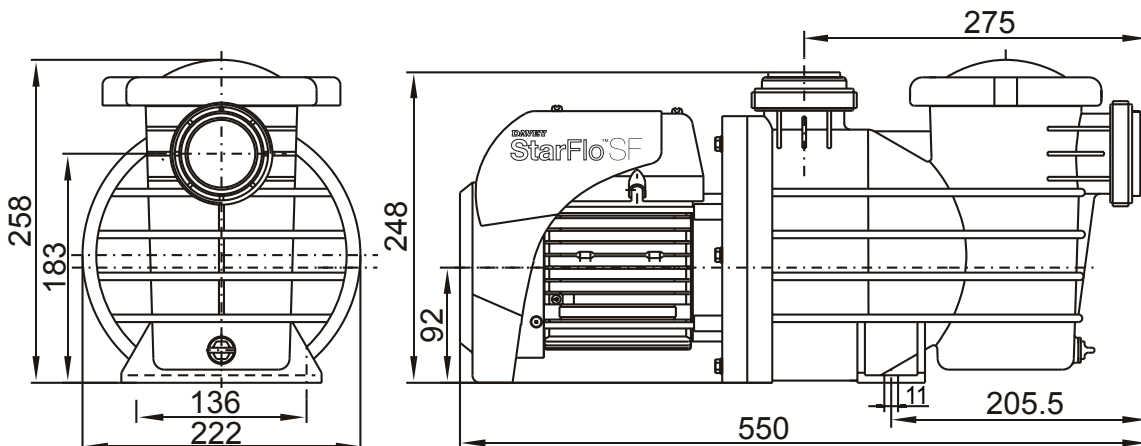
WARNING! Ensure that an electrical isolation switch is located with easy access so that the pump can be turned off in an emergency.

Typical installation diagram



If the pump is being installed on a solar heating system, it is necessary to fit a non return valve on the pump discharge plumbing to prevent damage to the pump.

Dimensions



Pipe Connection

A set of self-aligning barrel unions are provided for connecting to the piping from the pool. The pumps are designed to accept the following PVC pipes by fitting the pipe to either the inside or a pipe socket to the outside of the union tail.

Inlet PVC	Outlet PVC
40mm Pipe ID / 50mm Socket OD	40mm Pipe ID / 50mm Socket OD

The use of any pipe smaller than those specified above is not recommended. Suction piping should be free from all air leaks and any humps and hollows which cause suction difficulties. The discharge piping from the pump outlet should be connected to the inlet connection on the swimming pool filter (usually at the filter control valve).



Barrel unions need to be hand tightened. No sealant, glues or silicones are required.

Starting the Pump

To operate efficiently and prevent pump damage there must be a free flow of water to and from the pump. Before starting ensure that:

- All pipework is correctly sealed.
 - The pool water level is at the correct height.
 - Ensure that all appropriate valves are open and there is nothing preventing the flow of water through the system.
1. When the pump is above the pool water line, first prime the pump by removing the strainer basket lid and filling the strainer basket area with water. Replace the lid, ensuring that it seals on the o-ring.
 2. Connect to the power supply and turn on.
 3. Allow the pump to run, so that any air trapped may be expelled.
 4. If prime is not established within approximately two minutes, as evidenced by a strong flow of water, **turn off the pump and repeat the procedure**. Continued evidence of air under the strainer basket lid indicates an air leak in the suction piping which should be rectified to avoid pump damage.

Pump Operation

For optimum pump performance, the strainer basket housing should always be full of water and free from air bubbles. The water level of the pool should always be maintained to at least halfway up the skimmer box ensuring water is in the pump at all times. From time to time it may be necessary to re-prime the pump. This should be carried out as described on page 6.



Never run pump dry. Running the pump with no water may damage the mechanical seals, causing leakage and flooding. Dry running damage and associated damage is not covered under warranty. Davey StarFlo SF pool pumps incorporate self-resetting thermal overload, reducing potential damage.

Emptying the Strainer Basket

The strainer basket should be inspected frequently through the transparent lid and emptied when a buildup of rubbish is evident. The directions below should be followed.

1. Turn off pump.
2. Close all valves in pipework.
3. Unscrew the strainer basket lid anti-clockwise and remove.
4. Remove the strainer basket by lifting upwards from its housing.
5. Empty the trapped refuse from the basket. Hose out with water if necessary.
6. Check the strainer basket for cracks, replace the strainer basket in the pump if ok.
Failure to undertake regular maintenance may cause damage not covered by warranty.
7. Replace the lid and ensure that it seals on the rubber o-ring. Firm hand tightness only is required. The o-ring & thread can be lubricated with Hydra slip or equivalent products.
8. Open all valves in pipework.



Failure to undertake regular maintenance may cause damage not covered by warranty.

Trouble Shooting

If the pump runs but there is no water flow or water flow is reduced, the following condition may apply:

1. The filter requires backwashing or it is blocked. Refer to the relevant section in the Filter Manual.
2. The pump is not primed. Re-prime as per instruction in 'Starting the pump'
3. There are air leaks in the suction piping. Check all piping and eliminate leaks, also check for a loose strainer basket lid. Air bubbles in the water flowing back to the pool would indicate a leak in the suction to the pump allowing air to enter the pipework.
4. A leaking pump shaft seal may also prevent operating. Evidence of this would be water on the ground under the pump.
5. The pump is not able to get water from the pool. Check that the valves to the pump are fully open and that the pool water level is halfway up to the skimmer box.
6. Blockage in the piping or pump. Remove the strainer basket and check for any blockage to the pump impeller entry. Check the skimmer box for blockage.

If the pump does not operate, the following conditions may apply:

1. The power is not connected. For 220-240 volt only, check the power point by plugging in a portable appliance to ensure power is available. Also check fuses and the main power supply switch
2. Automatic overload is tripped following an overheating period. The pump has an in-built thermal overload which will re-set after the motor has cooled. Determine the cause of the overload tripping and rectify.
3. Blockage is preventing the pump from rotating.
4. Motor is burnt out – burning smell is evident. Replacement is required.

If you are unable to resolve any installation or operation difficulties with your Davey StarFlo SF pool pump, contact the supplier from whom the pump was purchased or you're nearest Authorised Davey Pool Equipment Service Centre. If any further assistance is required, contact your Davey representative at the address indicated in this manual.

Removal of the Pump from Pipework

Should it be necessary to remove the pump, follow these instructions:

1. Turn off the power and remove the plug from the power source.



NOTE: If the pump is wired into a time clock or another automatic control, the wiring should be removed by a qualified electrician.

2. Close the water valves on the pool return and the pump inlet pipework.
3. Remove the discharge & suction barrel unions taking care not to lose the o-rings.
4. Move the pipework with the barrel unions attached until the pump can be pulled clear.



NOTE: When making any enquiries about your Davey StarFlo SF pool pump be certain to quote the model number from the nameplate located on motor.

Water Quality

Maintaining balanced water chemistry is important to the life of your pool pump. This pump is designed to be used with Pool water, balanced in accordance with Langlier Saturation Index.

POOL WATER BALANCE	Free Chlorine (ppm)	pH	Total Alkalinity TA (ppm)	Calcium Hardness (ppm)	Stabiliser - Cyanuric Acid (ppm)
Ideal reading / range	1.5 - 3	Concrete & tiled pools 7.4-7.6 Other surfaces 7.2-7.4	80 - 150	Concrete & tiled pools 200-275 Other surfaces 100-225	25-50ppm (15-25ppm if used with an ORP controller) Not to be used in indoor pools.
To increase	Increase output of sanitiser. Add chlorine. Increase filtration time.	Add Soda Ash (Sodium Carbonate)	Add Buffer (Sodium Bicarbonate)	Add Calcium Chloride	Add Cyanuric Acid
To decrease	Decrease output of sanitiser. Decrease filtration time.	Add Hydrochloric Acid	Add Hydrochloric Acid or Dry Acid	Partially drain & refill pool with lower hardness water to dilute	Partially drain & refill pool to dilute
Frequency of testing	Weekly	Weekly	Weekly	Weekly	Regularly

Please consult your local pool shop regularly to have your water tested.



POWER CONNECTIONS AND WIRING MUST BE CARRIED OUT BY AN AUTHORISED ELECTRICIAN.



WARNING! Pump suction is hazardous and can trap and drown or disembowel bathers. Do not block suction. Do not use or operate swimming pools if a suction cover is broken, missing or loose. Two suction covers and inlets must be provided into every pump to avoid suction entrapment.



Caution! Do not add chemicals directly to the pool skimmer. Adding undiluted chemicals may damage pump and filter and void warranty.



Small children using the pool must ALWAYS have close adult supervision.



Routine Maintenance tasks – to maximise the life of your pool equipment & personal safety, use this checklist once a week. Turn pump off first.

- a. Make sure that any pressure gauges are in working condition and the operating pressure is within limits as specified on the product.
- b. Make sure that each suction inlet, and main drain has a cover that is securely attached and in safe working condition.
- c. Make sure that all skimmer covers are securely attached and in safe working condition. These should be replaced every 3 to 4 years.
- d. Remove any obstructions or debris from the main drain cover.
- e. Ensure the skimmer baskets and the pump hair and lint pots are free of leaves and debris at least once a week.
- f. Remove obstructions and combustibles from around the pump motor.
- g. Make sure all wiring connections are clean and that all wiring and electrical equipment is in good condition. Damaged wiring must be repaired or replaced by a qualified electrician as soon as damage is discovered.
- h. Check water balance and sanitiser levels at your local pool shop.
- i. Check for sufficient air-flow behind pump – clearance.

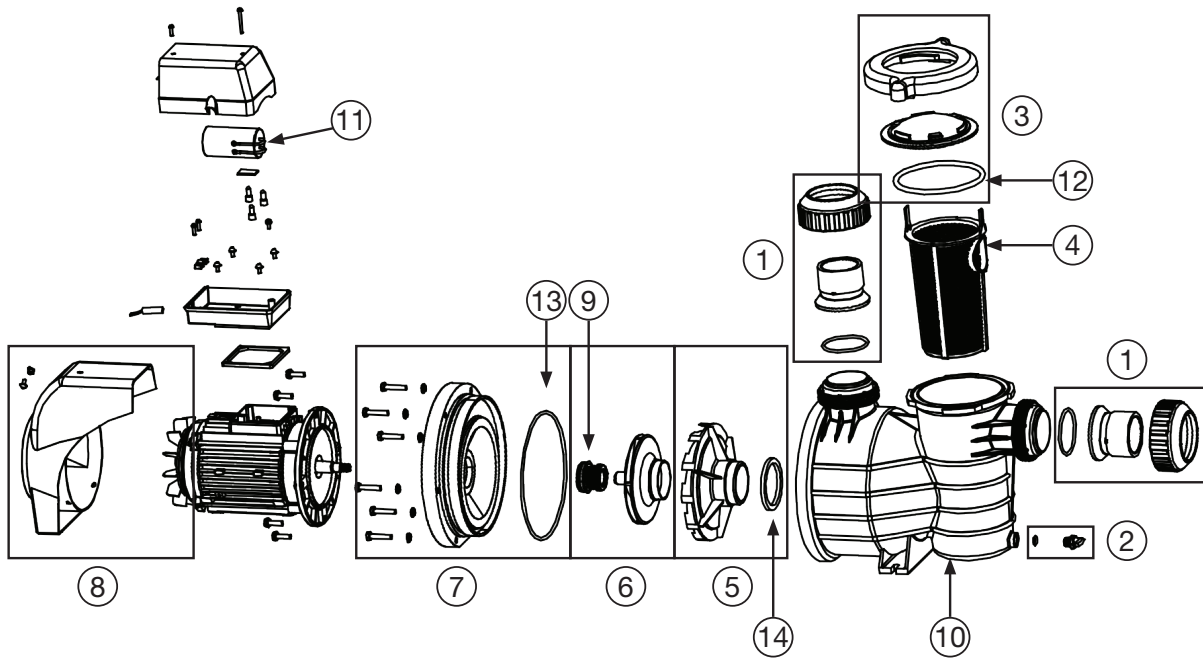


DANGER – Hazardous suction. Do not block water entry into filtration system with any part of your body as the pressure can trap hair or body parts, causing severe injury or death. Do not block suction. Turn off pump immediately if someone becomes trapped.

Spare Parts

Davey Starflo SF Pump	DSF750(CE)	DSF900(CE)	DSF1100(CE)	DSF1350(CE)
------------------------------	-------------------	-------------------	--------------------	--------------------

Notes: A. CE model variants available exclusively in Europe
 B. Includes 9,12,13 & 14



ITEM	PART NO.	DESCRIPTION	PART SPECIFICATIONS	NOTES	QTY REQ'D
1	33170SP	Barrel union assy	AU		2
1	33171SP	Barrel union assy	EU	A	2
12	402811SP	Pump lid o-ring			1
2	33172SP	Drain plug and o-ring			1
10	402816SP	Pump casing			1
4	402810SP	Pump basket			1
3	33173SP	Pump lid assy			1
5	33174SP	Diffuser and gasket			1
9	402823SP	Mechanical seal			1
6	33175SP	Impeller with neck ring & seal	DSF750		1
6	33176SP	Impeller with neck ring & seal	DSF900		1
6	33177SP	Impeller with neck ring & seal	DSF1100		1
6	33178SP	Impeller with neck ring & seal	DSF1350		1
6	33182SP	Impeller with neck ring & seal	DSF750-1		1
6	33183SP	Impeller with neck ring & seal	DSF900-1		1
6	33184SP	Impeller with neck ring & seal	DSF110-1		1
6	33185SP	Impeller with neck ring & seal	DSF1350-1		1
-	33179SP	Seal kit and o-rings		B	1
7	33180SP	Backplate w/o-ring and screws			1
11	402840SP	Capacitor 15uf	DSF750, DSF900		1
11	402841SP	Capacitor 20uF	DSF1100		1
11	402842SP	Capacitor 30uf	DSF1350		1
8	33181SP	Fan, fan cover & screws			1
	402836SP	Power lead	DSF750, DSF900		1
	402837SP	Power lead	DSF1100, DSF1350		1

Davey Warranty

Davey Water Products Pty Ltd (Davey) warrants all products sold will be (under normal use and service) free of defects in material and workmanship for a minimum period of one (1) year from the date of original purchase by the customer as marked on the invoice, for specific warranty periods for all Davey products visit daveywater.com.

This warranty does not cover normal wear and tear or apply to a product that has:

- been subject to misuse, neglect, negligence, damage or accident
- been used, operated or maintained other than in accordance with Davey's instructions
- not been installed in accordance with the Installation Instructions or by suitably qualified personnel
- been modified or altered from original specifications or in any way not approved by Davey
- had repairs attempted or made by other than Davey or its authorised dealers
- been subject to abnormal conditions such as incorrect voltage supply, lightning or high voltage spikes, or damages from electrolytic action, cavitation, sand, corrosive, saline or abrasive liquids,

The Davey warranty does not cover replacement of any product consumables or defects in products and components that have been supplied to Davey by third parties (however Davey will provide reasonable assistance to obtain the benefit of any third-party warranty).

To make a warranty claim:

- If the product is suspected of being defective, stop using it and contact the original place of purchase. Alternatively, phone Davey Customer Service or send a letter to Davey as per the contact details below
- Provide evidence or proof of date of original purchase
- If requested, return the product and/or provide further information with respect to the claim. Returning the product to the place of purchase is at your cost and is your responsibility.
- The warranty claim will be assessed by Davey on the basis of their product knowledge and reasonable judgement and will be accepted if:
 - a relevant defect is found
 - the warranty claim is made during the relevant warranty period; and
 - none of the excluded conditions listed above apply
- The customer will be notified of the warranty decision in writing and if found to be invalid the customer must organise collection of the product at their expense or authorise its disposal.

If the claim is found to be valid Davey will, at its option, repair or replace the product free of charge.

The Davey warranty is in addition to rights provided by local consumer law. You are entitled to a replacement or refund for a major failure and compensation for any other reasonably foreseeable loss or damage. You are also entitled to have the goods repaired or replaced if the goods fail to be of acceptable quality and the failure does not amount to a major failure.

For any internet connected products the consumer is responsible for ensuring a stable internet connection. In the event of a network failure the consumer will need to address the concern with the service provider. Use of an App is not a substitute for the User's own vigilance in ensuring the product is working to expectation. Use of a Smart Product App is at the User's own risk. To the fullest extent permitted by law Davey disclaims any warranties regarding the accuracy, completeness or reliability of App data. Davey is not responsible for any direct or indirect loss, damage or costs to the User arising from its reliance on internet connectivity. The User indemnifies Davey against any claims or legal actions from them or others relying on internet connectivity or App data may bring in this regard.

Products presented for repair may be replaced by refurbished products of the same type rather than being repaired. Refurbished parts may be used to repair the products. The repair of your products may result in the loss of any user-generated data. Please ensure that you have made a copy of any data saved on your products.

To the fullest extent permitted by law or statute, Davey shall not be liable for any loss of profits or any consequential, indirect or special loss, damage or injury of any kind whatsoever arising directly or indirectly from Davey products. This limitation does not apply to any liability of Davey for failure to comply with a consumer guarantee applicable to your Davey product under local laws and does not affect any rights or remedies that may be available to you under local laws.

For a complete list of Davey Dealers visit our website (daveywater.com) or call:

DAVEY

Davey Water Products Pty Ltd
Member of the GUD Group
ABN 18 066 327 517

daveywater.com

NEW ZEALAND

7 Rockridge Avenue,
Penrose, Auckland 1061
Ph: 0800 654 333
Fax: 0800 654 334
Email: sales@dwp.co.nz

NORTH AMERICA

Ph: 1-888-755-8654
Email: info@daveyusa.com

AUSTRALIA

Head Office
6 Lakeview Drive,
Scoresby, Australia 3179
Ph: 1300 232 839
Fax: 1300 369 119
Email: sales@davey.com.au

EUROPE

7 rue Eugène Hénaff 69200
Vénissieux, France
Ph: +33 (0) 4 72 13 95 07
Fax: +33 (0) 4 72 33 64 57
Email: info@daveyeurope.eu

MIDDLE EAST

Ph: +971 50 6368764
Fax: +971 6 5730472
Email: info@daveyuae.com

® Davey is a trademark of Davey Water Products Pty Ltd. © Davey Water Products Pty Ltd 2021.
® Davey ist eine Marke von Davey Water Products Pty Ltd. © Davey Water Products Pty Ltd 2021.
® Davey è un marchio commerciale di Davey Water Products Pty Ltd. © Davey Water Products Pty Ltd 2021.
® Davey is een handelsmerk van Davey Water Products Pty Ltd. © Davey Water Products Pty Ltd 2021.
® Davey é uma marca comercial da Davey Water Products Pty Ltd. © Davey Water Products Pty Ltd 2021.
® Davey es una marca comercial de Davey Water Products Pty Ltd. © Davey Water Products Pty Ltd 2021.
® Davey est une marque déposée de Davey Water Products Pty Ltd. © Davey Water Products Pty Ltd 2021.

P/N 402757-7revA