

DAVEY

Typhoon[®]



Model Numbers:
C75M, C100M, C150M,



HEAVY DUTY & RELIABLE

APPLICATION

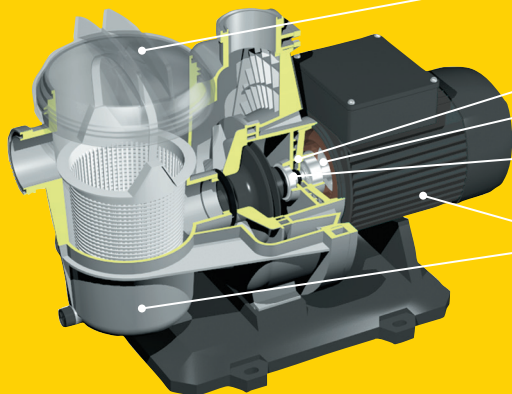
Ideal for filtration, auto pool cleaning, backwashing, water features, spa jet operation and solar pool heating.

FEATURES & BENEFITS

- Double insulated to water circuit and provided with an Equipotential Bonding Point for AS/NZ 3000 wiring standards
- Designed for durability and long life using corrosion resistant, UV stabilised materials
- Self priming pump for trouble-free operation and air handling
- Built in thermal overload protection, protects motor in the event of low voltage or jammed pump
- Strong performance and high flow provides optimum water circulation
- Stainless steel pump shaft suited for salt water pools
- Reinforced pump base keeps the motor high and dry for corrosion protection
- Large leaf basket handles large leaves and debris with ease
- Large clear leaf basket lid provides easy visual inspection of contents
- Barrel union connections for easy installation
- Range of sizes to suit domestic pools and solar applications

DAVEY Typhoon®

Swimming Pool Pump



- Large, easy to remove, leaf basket cover for convenience and easy cleaning
- Carbon / Ceramic mechanical seal
- Stainless steel motor shaft for corrosion resistance in salt water pools
- Impeller made of glass-filled Noryl® for high abrasion resistance
- Corrosion resistant body, foot and diffuser from glass-filled polypropylene construction
- Double insulated to water circuit with Equipotential Bonding Point

ELECTRICAL DATA

Model	C75M	C100M	C150M
Voltage (V)		240	
Supply frequency (Hz)		50	
Phase		1	
Run current (A)	5.0	5.8	6.6
Motor input power (W)/hp	1100/1.6	1200/1.9	1600/2
Motor output power (W)/hp	550/0.7	750/1	1100/1.5
RPM		2900	
Enclosure class (IP)		55	
Insulation class		F	
Approval No.		W2442	

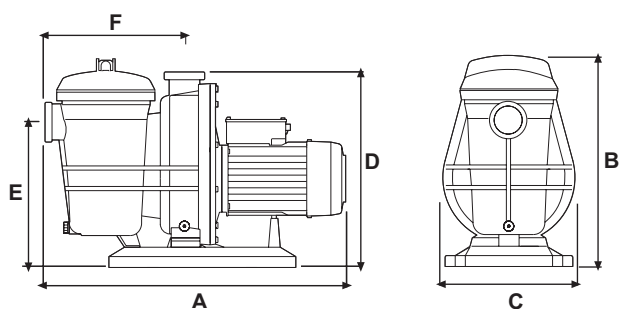
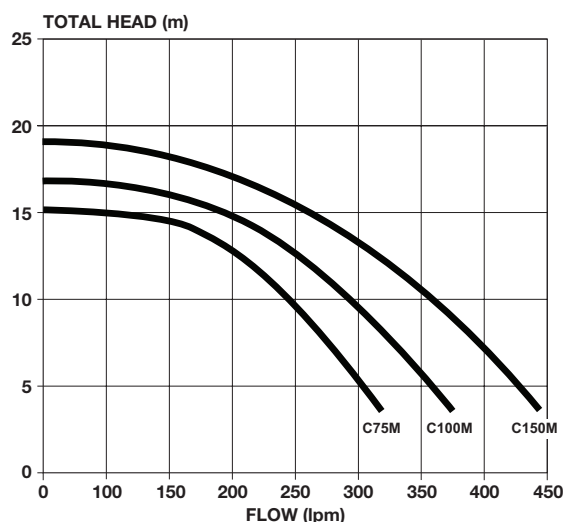
OPERATING LIMITS

Maximum water temperature	35°C
Maximum ambient temperature	50°C

DIMENSIONS (mm)

Model	A	B	C	D	E	F	Inlet/Outlet G H	Net Weight (kg)
C75M								10.4
C100M	532	330	238	345	225	262	50 50	11.4
C150M								13.5

HYDRAULIC PERFORMANCE



daveywater.com

This literature is not a complete guide to product usage. All images provided in this document are for illustration purposes only. Further information is available from your Davey Dealer, Davey Support Centre and from the relevant product Installation and Operating Instructions. Must be read in conjunction with the relevant product Installation and Operating Instructions and all applicable statutory requirements. Product specifications may change without notice. © Davey is a registered trademark of Davey Water Products Pty Ltd. © Davey Water Products Pty Ltd 2023.



DAVEY