

HM Series



Model Numbers:

HM60-06, HM60-08, HM60-10,
HM90-08, HM90-11, HM90-13,
HM160-15, HM160-19, HM270-19,
HM270-25



COMPACT, ALL STAINLESS STEEL, MULTISTAGE PRESSURE SYSTEM

APPLICATION

Specific applications include water supply, boosting and transfer, irrigation and turf watering, wash down, emptying/filling reservoirs or tanks, Water treatment (demineralisation, filtering etc) and commercial washing equipment.

FEATURES & BENEFITS

Horizontal multistage centrifugal pump with all hydraulic parts in stainless steel:

- Suitable for high water temperatures
- Corrosion and wear resistant

Axial suction and vertical discharge:

- Compact design
- Easy to install

Stainless steel impellers with high efficiency impeller profile and thick self-centring impeller neck rings for:

- High efficiency
- Reduced power consumption:
- Low noise output

Air purging valve and stage porting:

- Easier priming
- Less susceptible to air leaks
- Improved dependability

Impellers mounted directly on extended motor shaft:

- Maximise performance per stage
- High efficiency
- Long motor and pump life
- Increased wear resistance

Pump casing assembly attached to motor bracket at 8 points with o-ring seal:

- Complete stainless casing
- Better sealing
- Longer service life

Davey built, totally enclosed fan cooled (TEFC) electric motor:

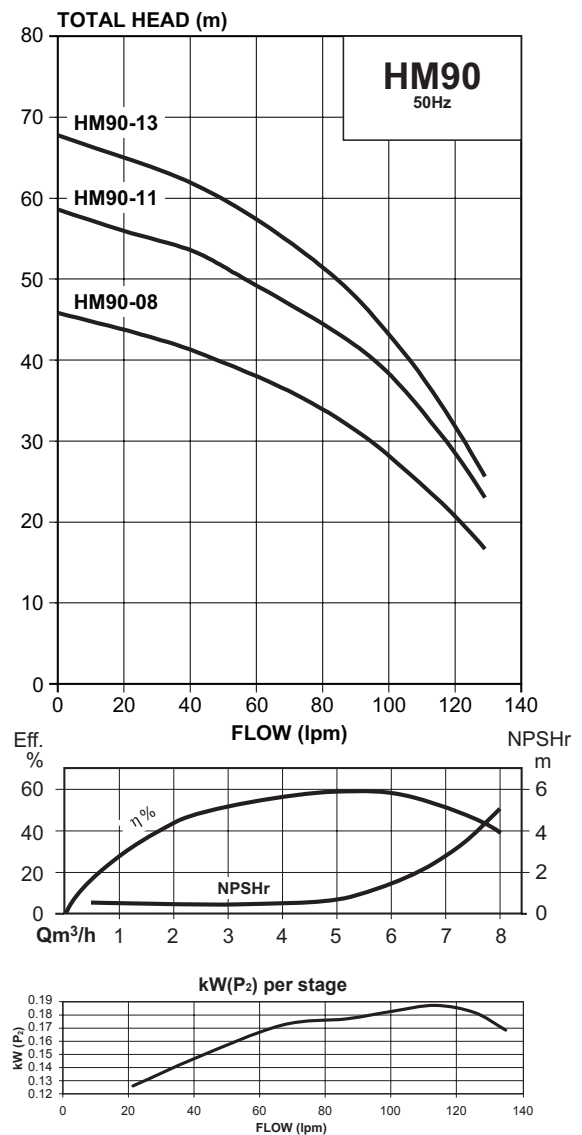
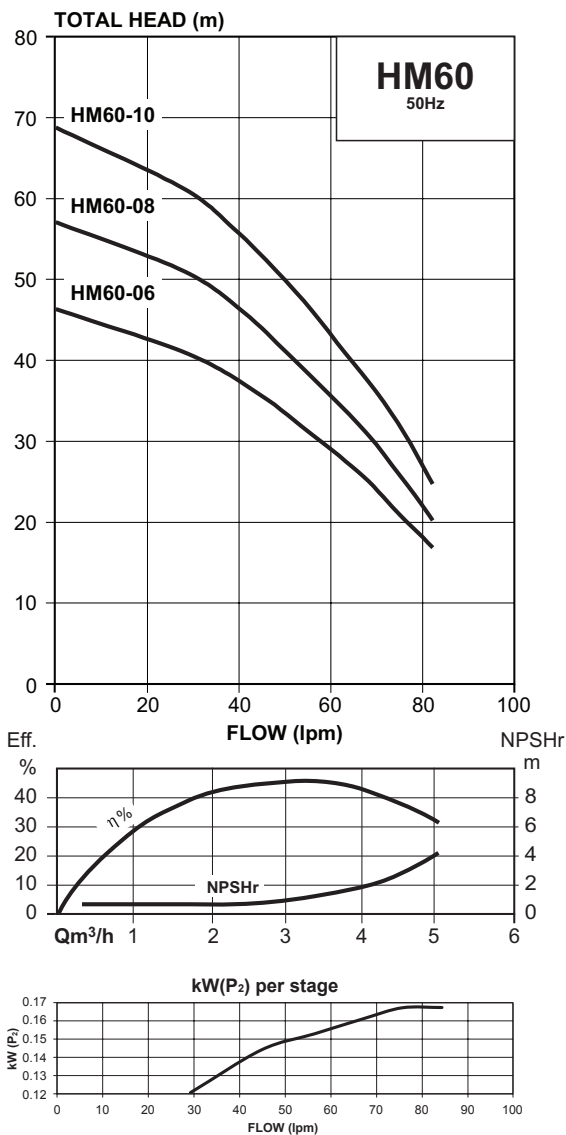
- Single-phase motors have built in thermal overload protection with automatic reset and 1.8m long power lead and Australian 3 pin plug
- Sealed and greased for life motor bearings
- Over sized drive bearing
- Longer life
- Easy service
- Economical & quiet running

Automatic control options: Davey Torrium standard pressure switch and gauge multiple pump system

- Versatile system design
- Simple automatic control
- Suitable for many applications

Horizontal Multistage Pumps

HYDRAULIC PERFORMANCE



Models	HM60-06/HM90-08	HM60-08/HM90-11	HM60-10/HM90-13
Stages	4	5	6

OPERATING LIMITS

Capacities up to	430 lpm (26m ³ /hr)
Pressure heads up to	65m
Maximum operating pressure	1,000kPa
Maximum suction pressure	600kPa
Water temperature range	-15° to 105°C
Maximum ambient temperature	50°C

Suitable fluids

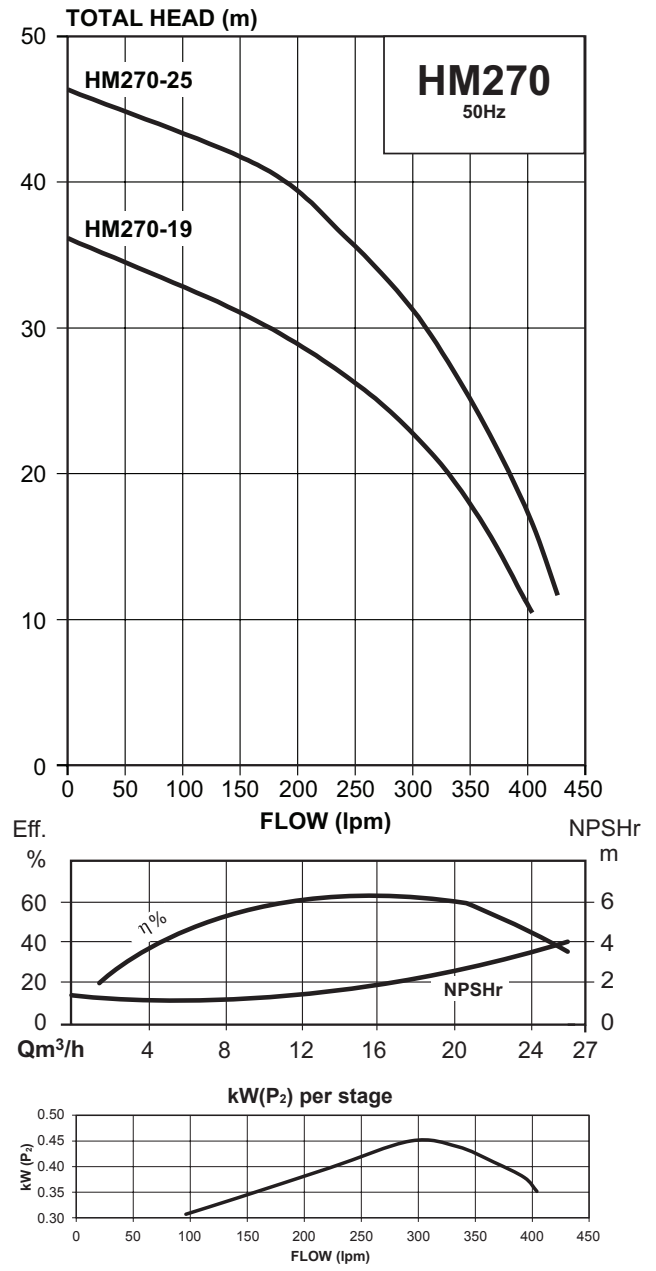
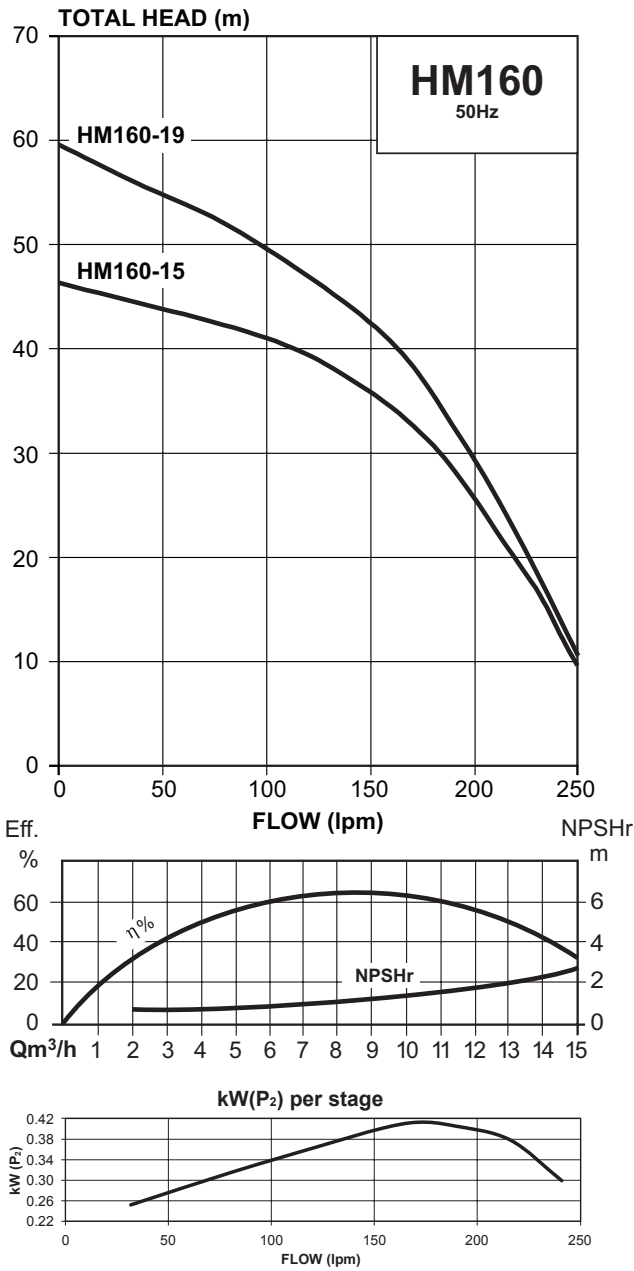
Clean, clear, non-corrosive, non-flammable liquids with no fibres and little sand/silica or abrasives (maximum concentration 40g/m³).

MATERIALS OF CONSTRUCTION

PART	MATERIAL
Casing	304 stainless steel
Impellers	304 stainless steel
Stages (casing)	304 stainless steel
Pump shaft	316L stainless steel
Stage centring device	304 stainless steel
Mechanical seal:	
Rotating	Carbon
Stationary	Ceramic
Spring	316SS
Bellows	EPDM
O-rings	EPDM
Plugs	316L stainless steel
Motor shell & lantern bracket	Aluminium with baked polyester powder coat finish
Motor feet	Xenoy
Fan cowl / rear foot (models up to 1.05kW)	Polypropylene

Horizontal Multistage Pumps

HYDRAULIC PERFORMANCE



Models	HM270-19	HM160-15/HM270-25	HM160-19
Stages	3	4	5

ELECTRICAL DATA

Speed	2900rpm
Supply Voltage	
Single phase	230V ±10%
Three phase (selected models)	415V ±10%
Supply frequency	50Hz
Enclosure class	
HM60-06, HM60-08, HM60-10, HM90-08 & HM90-11	IP55
All other models	IP56
Insulation class	Class F

IDENTIFICATION OF THE PUMP

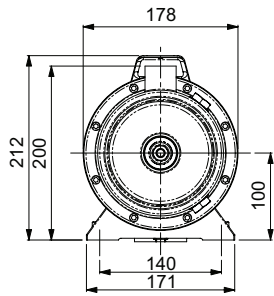
HM 160 - 19 / 3

- Voltage/phase
Blank = Single phase 50Hz
/3 = Three phase 50Hz
- Output kW (P₂) x 10
- Flow @ BEP (lpm)
- Code indicating
HM Series
Horizontal Multistage
Stainless Steel Pump

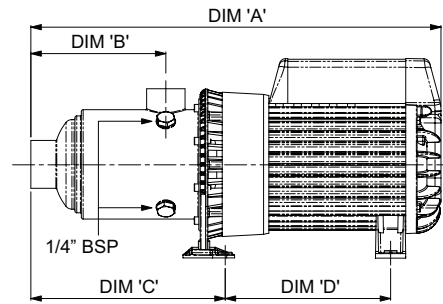
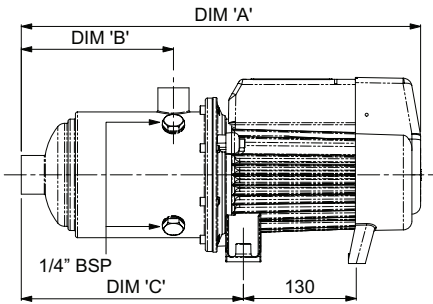
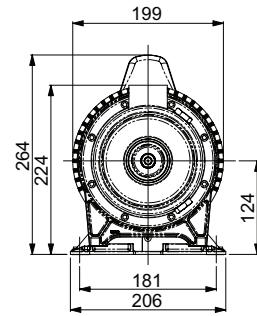
Horizontal Multistage Pumps

DIMENSIONS

Models
 HM60-06
 HM60-08
 HM60-10
 HM90-08
 HM90-11



Models
 HM90-13
 HM160-15
 HM160-19
 HM270-19
 HM270-25



240V Single Phase Models

Model	Motor				Ports		Pump Dimensions				Weight kg
	Input P ₁ kW	Output P ₂ kW	Amps		Suction BSP	Discharge BSP	DIM 'A' mm	DIM 'B' mm	DIM 'C' mm	DIM 'D' mm	
			Run	Start							
HM60-06	0.85	0.58	4	18	1¼"	1"	411	127	207	-	11.3
HM60-08	1	0.72	4.5	18	1¼"	1"	459	175	255	-	12.2
HM60-10	1.25	0.94	5.9	28	1¼"	1"	459	175	255	-	17.0
HM90-08	1.1	0.78	4.9	20	1¼"	1"	411	127	207	-	11.7
HM90-11	1.4	1.05	6.5	28	1¼"	1"	459	175	255	-	16.4
HM90-13	1.7	1.4	7.2	40	1¼"	1"	502	175	247	189	22.2
HM160-15	1.9	1.5	8	40	1½"	1¼"	509	178	254	189	21.8
HM160-19	2.3	1.8	9.7	40	1½"	1¼"	540	178	254	189	22.1
HM270-19	2.4	1.9	10	40	2"	1½"	512	178	257	189	24.0
HM270-25	3.2	2.5	13.8	66	2"	1½"	562	178	257	239	31.3

415V Three Phase Models

Model	Motor				Ports		Pump Dimensions				Weight kg
	Input P ₁ kW	Output P ₂ kW	Amps		Suction BSP	Discharge BSP	DIM 'A' mm	DIM 'B' mm	DIM 'C' mm	DIM 'D' mm	
			Run	Start							
HM60-06/3	0.75	0.58	1.9	13	1¼"	1"	411	127	207	-	11.3
HM60-08/3	0.85	0.72	2.1	13	1¼"	1"	459	175	255	-	12.2
HM60-10/3	1.25	0.94	3.2	20	1¼"	1"	459	175	255	-	17.0
HM90-08/3	1.1	0.78	2.2	13	1¼"	1"	411	127	207	-	11.3
HM90-11/3	1.4	1.05	3.3	20	1¼"	1"	459	175	255	-	16.4
HM90-13/3	1.6	1.4	3.1	24	1¼"	1"	502	175	247	189	22.2
HM160-15/3	1.8	1.5	3.2	24	1½"	1¼"	509	178	254	189	21.8
HM160-19/3	2.1	1.8	3.6	24	1½"	1¼"	540	178	254	189	22.1
HM270-19/3	2.3	1.9	3.8	24	2"	1½"	512	178	257	189	24.0
HM270-25/3	2.95	2.5	4.9	30	2"	1½"	562	178	257	239	27.8