

HP45-05

DEPEND ON
DAVEY

WATER PRODUCTS

TRANSFER PUMPS

PRODUCT DESCRIPTION

Robust & compact, multi-stage stainless steel centrifugal pumps, driven by a TEFC motor. Designed for total head duties to 33m and flows to 80lpm.

APPLICATIONS

Ideal for pumping clean, non-volatile, non-aggressive liquids without fibres or solids in such applications as:-

- Domestic water supply
- Washing systems
- Irrigation
- Water transfer
- Pressure boosting



FEATURES & BENEFITS

Pump

Multistage, closed vane impellers with full length "D" drives, provide:

- Superior reliability when pumping corrosive water
- Easy assembly and servicing

Corrosion resistant 304 stainless steel pump shaft and casing for long service life.

High quality mechanical shaft seal for long life and reliability.

Patented floating impeller neck rings provide:

- High efficiency
- Quieter pump operation

Motor

The Davey manufactured TEFC motor has an IP55 enclosure providing:

- Excellent corrosion resistance
- High levels of resistance to dust and rain
- Ability to operate reliably in high ambient temperatures

Motor continued...

Permanently split capacitor design for:

- Reliable starting even in low voltage circumstances
- Superior frequent starting performance

Protected against both high operating temperatures and high current by a built in, automatically resetting thermal overload.

All models come with a 2 metre power lead fitted with 3 pin Australian plug.

Double contact C3-HTG sealed bearings for quieter running and longer life.

Corrosion resistant feet on motor shell, include three point bolt-down facility.

Standard models are 220/240 volt, 50Hz, single phase. Choice of models in 60Hz 110/115 volt and 220/230 volt available on request.

OPERATING LIMITS

Capacities to	80lpm
Maximum total head	33m
Maximum suction head	7.0m
Maximum water temperature continuous	50°C
15 minute peak	65°C
Minimum water temperature	1°C
Maximum ambient temperature	55°C
Inlet size	1 1/4" BSP(F)
Outlet size	1" BSP(F)
Maximum pump casing pressure	450kPa

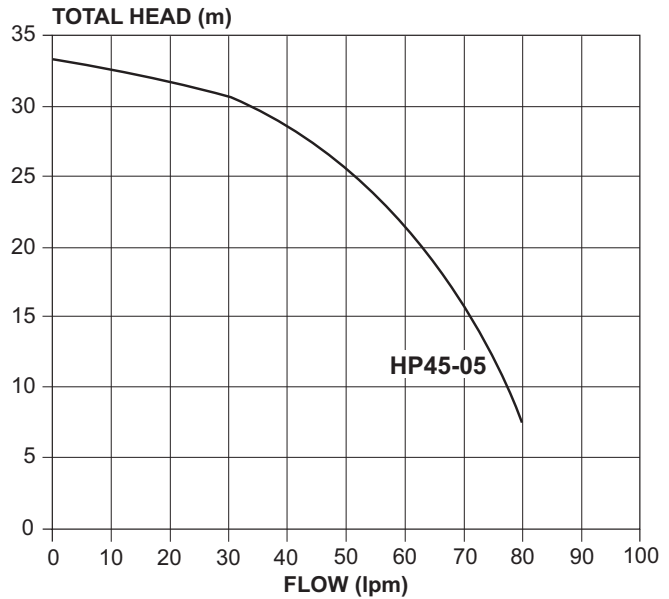


TECHNICAL SPECIFICATIONS

MATERIALS OF CONSTRUCTION

PART	MATERIAL
Impellers	Glass filled polycarbonate
Impeller spacer	304 stainless steel
Lock nut	316 stainless steel
Pump casing	304 stainless steel
Clamp band	304 stainless steel
Pump shaft	304 stainless steel
Seal ring (stationary)	Ceramic
Seal ring (rotating)	Carbon
Seal spring	304 stainless steel
O-rings	Nitrile rubber
Diffusers	Glass filled noryl
Blanking ring	Glass filled noryl
Neckrings	Polypropylene
Motor shell	Marine grade aluminium
Shell finish	Baked polyester
Priming plug	Glass filled noryl

HYDRAULIC PERFORMANCE

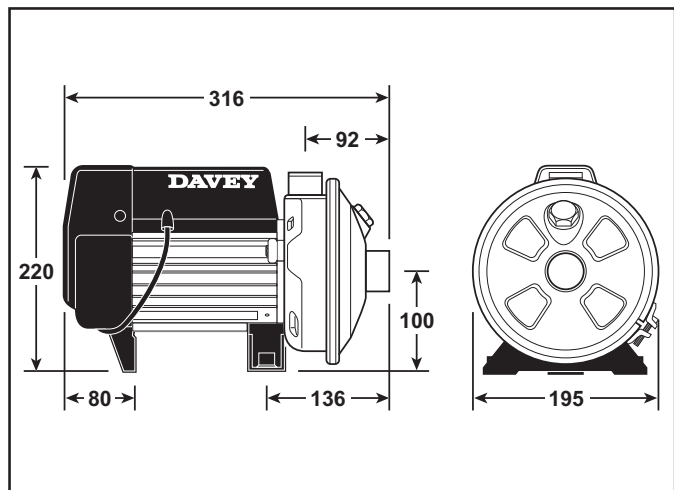


ELECTRICAL DATA

Supply voltage	220-240V ±6%
Phase	Single
Supply frequency	50Hz
Speed	2850rpm
Full load current	3.4A
Locked rotor current	12.0A
Input power (P ₁)	0.77kW
Output power (P ₂)	0.55kW
Enclosure class	IP55
Insulation class	Class F
Starting	P.S.C.

AS/NZS 3350.2.41-1997 Approval No. A/10059EA

DIMENSIONS



Model	Mounting Holes Dia.	Inlet B.S.P.	Outlet B.S.P.	Net Weight kg
HP45-05	10 @ 140 centres	1 1/4" F	1" F	8.0

All dimensions in mm unless otherwise stated.

INSTALLATION & PRIMING

- Installations with suction lift require a good quality foot valve to avoid loss of prime.
- To prime, fill pump body and suction line through priming plug hole located above suction inlet and replace plug.

This literature is not a complete guide to product usage. Further information is available from your Davey dealer, Davey Customer Service Centre and from the relevant product Installation and Operating Instructions. This data sheet must be read in conjunction with the relevant product Installation and Operating Instructions and all applicable statutory requirements. Product specifications may change without notice. © Davey is a registered trademark of Davey Water Products Pty Ltd. © Davey Water Products Pty Ltd 2003.



DEPEND ON
DAVEY

WATER PRODUCTS

Davey Water Products Pty Ltd

Member of the GUD Group
ABN 18 066 327 517

AUSTRALIA
Head Office and Manufacturing
6 Lakeview Drive,
Scoresby, Australia 3179
Ph: +61 3 9730 9222
Fax: +61 3 9753 4100
Website: davey.com.au

Customer Service Centre
Ph: 1300 369 100
Fax: 1300 369 119
E-mail: sales@davey.com.au

NEW ZEALAND
7 Rockridge Avenue,
Penrose, Auckland 1061
Ph: +64 9 570 9135
Fax: +64 9 527 7654
E-mail: sales@daveynz.co.nz
Website: daveynz.co.nz

Customer Service Centre
Ph: 0800 654 333

REST OF WORLD
6 Lakeview Drive,
Scoresby, Australia 3179
Ph: +61 3 9730 9121
Fax: +61 3 9753 4248
E-mail: export@davey.com.au
Website: davey.com.au